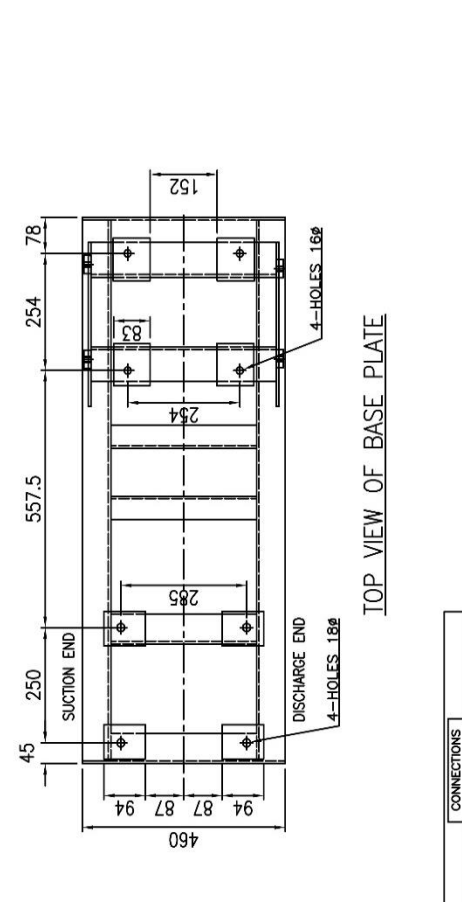
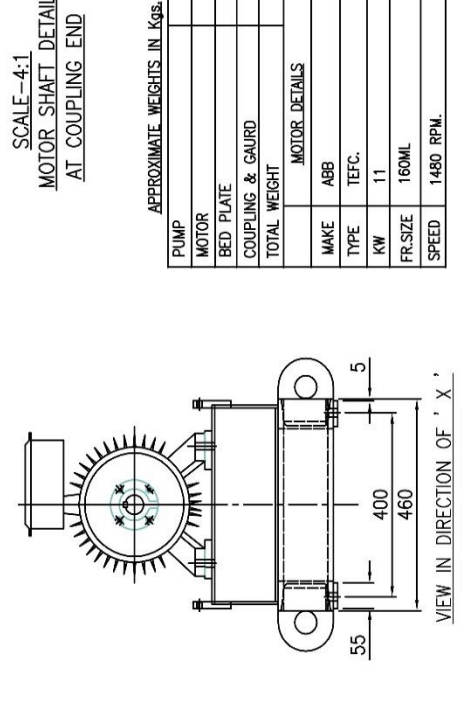
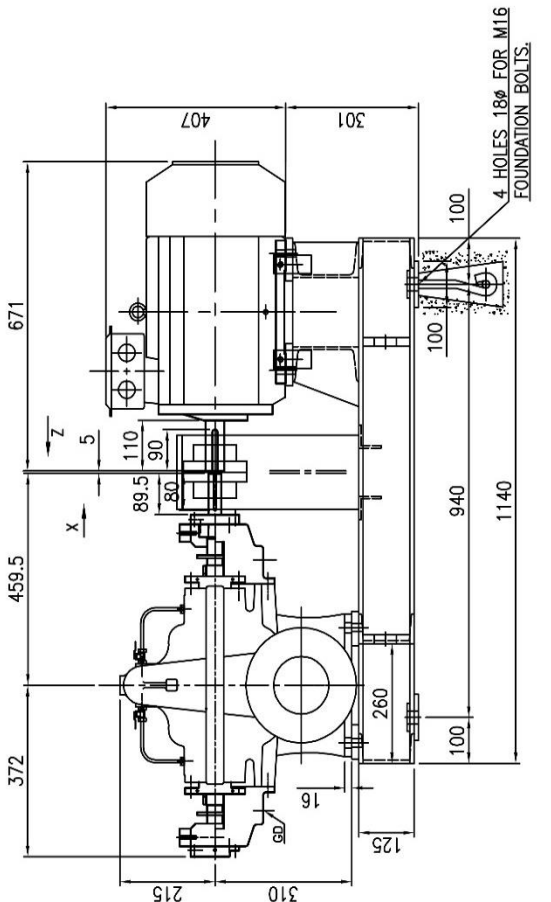
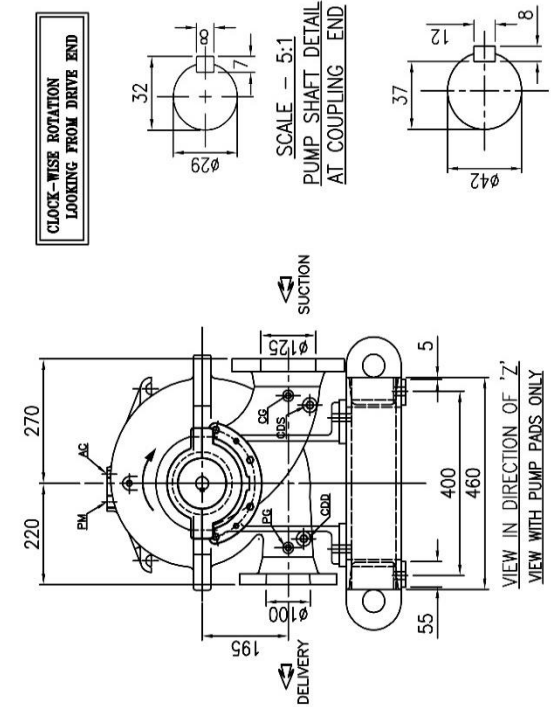


GENERAL ARRANGEMENT DRAWING FOR SINGLE STAGE AXIALLY SPLIT CASE PUMP 4HS11 WITH 11KW ABB MOTOR IN FRAME SIZE 160ML



APPROXIMATE WEIGHTS IN Kgs.

PUMP	190
MOTOR	145
BED PLATE	88
COUPLING & GAURO	12
TOTAL WEIGHT	435

MOTOR DETAILS

MAKE	ABB
TYPE	TEFC.
KW	11
FR.SIZE	160ML
SPEED	1480 RPM.

ITEM	DESCRIPTION	SIZE(QTY)
GD	GLAND DRAIN	1/2"
CG	COMPOUND GAUGE FOR SUCTION	3/8"
PG	PRESSURE GAUGE FOR DELIVERY	3/8"
AC	AIR COOK	3/8"
PM	PRIMING	1/2"
CDS	CASING DRAIN(SUCTION SIDE)	1/2"
CDD	CASING DRAIN(DELIVERY SIDE)	1/2"

CONNECTIONS

S	PN 16	250	210	22	Ø 18	—	—	—	—
D	PN 16	—	—	220	180	Ø 18	20	Ø 18	—
REF. NO.	TYPE OF FLANGE	O.D.	P.C.D.	MIN OF HOLE	THK NO.	SIZE OF HOLE	MIN OF HOLE	REF. THK	RF FLANGE
		Ø125							

DELIVERY - Ø100

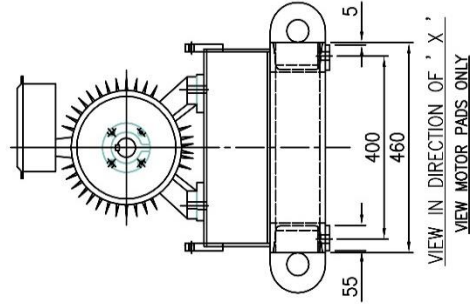
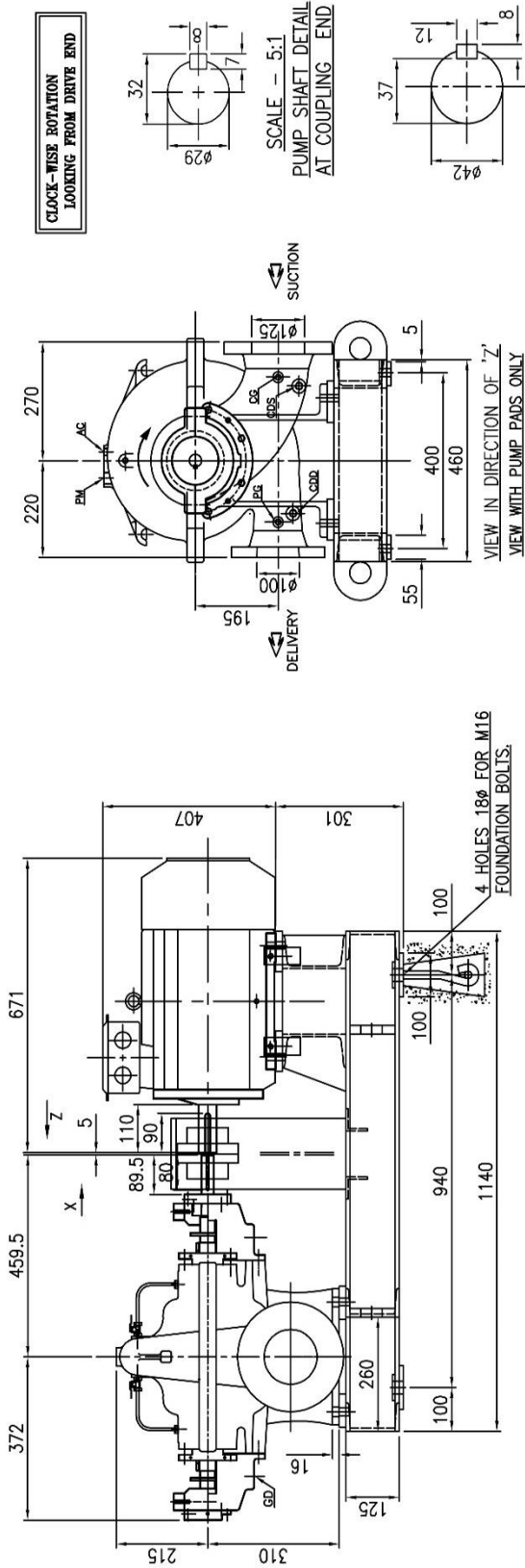
PROJECT NAME- PUMPSENSE JOB NO.-

TITLE	GA DRAWING FOR 4HS11 WITH 11KW ABB MOTOR FRAME SIZE 160ML			SCALE	1:1
DRN	AB	23.10.17	DRG. NO.	REV	0
CHKD	ST	23.10.17	PSF/4HS11/MCA-02		
APPD	MS	23.10.17			

CONNECTIONS

GAUGE CONNECTIONS LABELED AND TAPPED ONLY WHEN SPECIALLY REQUESTED BY THE CUSTOMER.

GENERAL ARRANGEMENT DRAWING FOR SINGLE STAGE AXIALLY SPLIT CASE PUMP 4HS11 WITH 15KW ABB MOTOR IN FRAME SIZE 160ML



TOP VIEW OF BASE PLATE

APPROXIMATE WEIGHTS IN KGS.

PUMP	190
MOTOR	150
BED PLATE	88
COUPLING & GAURD	12
TOTAL WEIGHT	440

MOTOR DETAILS

MAKE	ABB
TYPE	TEFC.
KW	15
FR SIZE	160ML
SPEED	1480 RPM.

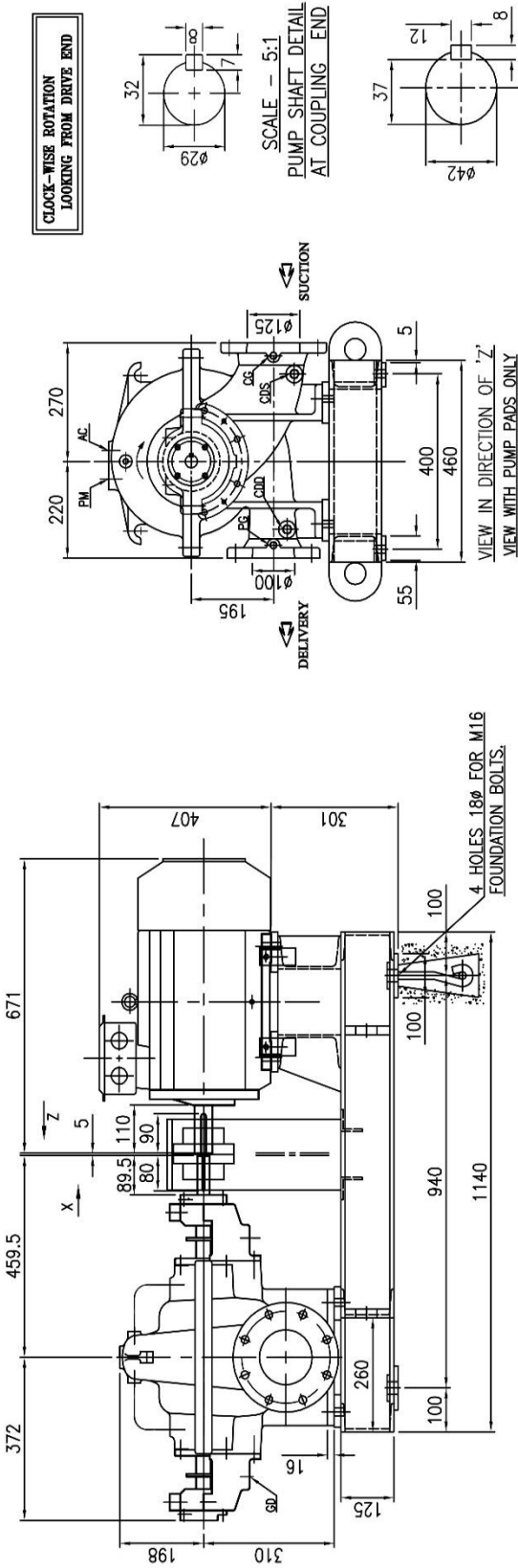
PROJECT NAME-		JOB NO.-	
PUMPSENSE			
TITLE GA DRAWING FOR 4HS11 WITH 15KW ABB MOTDR FRAME SIZE 160ML			
DRN	AD 23.10.17	DRG. NO.	1:1
CHKD	ST 23.10.17	PSF/4HS11/MGA-01	REV
APPD	HS 23.10.17		0

S	PN 16	250	210	22	B, ϕ 18	—	—	—	—	—	—
D	PN 16			220	180	20	B, ϕ 18	—	—	—	—
REF. NO.	TYPE OF FLANGE	O.D.	P.C.D.	MIN OF HOLE	THK. NO. SIZE RF	REF. THK	MIN OF HOLE	RF FLANGE	DELIVERY - ϕ 100	REV	DESCRIPTION
	NO.										

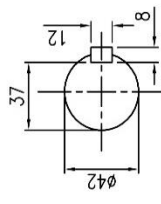
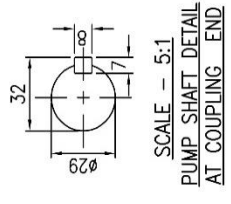
CONNECTIONS		
ITEM	DESCRIPTION	SIZE(NPT)
GD	GLAND DRAIN	1/2"
CG	COMPOUND GAUGE FOR SUCTION	3/8"
PG	PRESSURE GAUGE FOR DELIVERY	3/8"
AC	AIR COOK	3/8"
PM	PRIMING	1/2"
CDS	CASING DRAIN(SUCTION SIDE)	1/2"
DD	CASING DRAIN(DELIVERY SIDE)	1/2"

■ GAUGE CONNECTIONS LABELLED AND TAPPED ONLY WHEN SPECIALLY REQUESTED BY THE CUSTOMER.

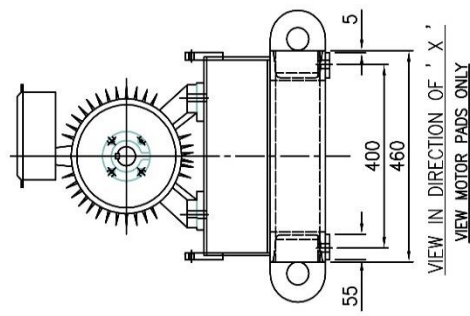
GENERAL ARRANGEMENT DRAWING FOR SINGLE STAGE AXIALLY SPLIT CASE PUMP 4HS11L WITH 15KW ABB MOTOR IN FRAME SIZE 160ML



CLOCK-WISE ROTATION
LOOKING FROM DRIVE END



VIEW IN DIRECTION OF 'Z'
VIEW WITH PUMP PADS ONLY



CONNECTIONS		SIZE (NPT)
GD	GLAND DRAIN	1/2"
CG	COMPOUND GAUGE FOR SUCTION	3/8"
PG	PRESSURE GAUGE FOR DELIVERY	3/8"
AC	AIR COCK	3/8"
PM	PRIMING	1/2"
CS	CASING DRAIN (SUCTION SIDE)	1/2"
CD	CASING DRAIN (DELIVERY SIDE)	1/2"

* GAUGE CONNECTIONS DRILLED AND TAPPED ONLY WHEN SPECIALLY REQUESTED BY THE CUSTOMER.

APPROXIMATE WEIGHTS IN Kgs.

PUMP	190
MOTOR	150
BED PLATE	88
COUPLING & GAIRD	12
TOTAL WEIGHT	440

MOTOR DETAILS

MAKE	ABB
TYPE	TEFC.
KW	15
FR.SIZE	160ML
SPEED	1480 RPM.

REV	DESCRIPTION	DRN	CHKD	DATE
0				

ITEM	DESCRIPTION	SIZE (NPT)
S	PN 16	O.D. P.C.D.
D	PN 16	THK. NO. SIZE OF HOLE

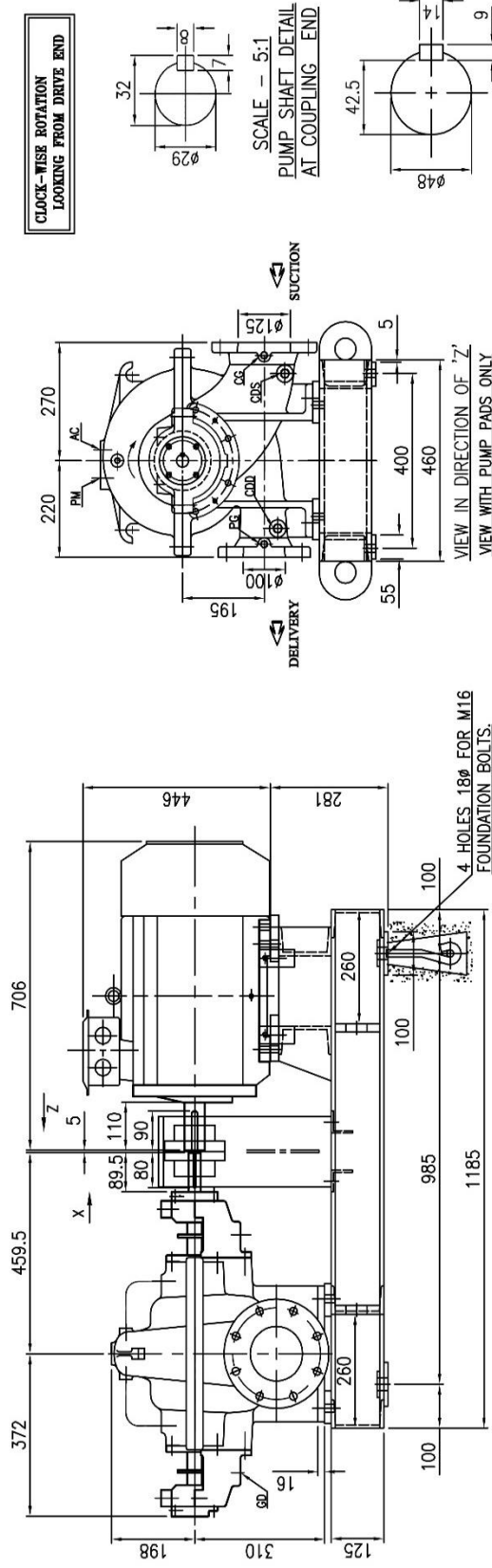
PROJECT NAME-	JOB NO.-
PUMPSENSE	

TITLE	SCALE
GA DRAWING FOR 4HS11L WITH 15KW ABB MOTOR FRAME SIZE 160ML	1:1

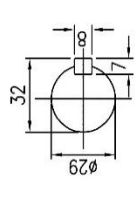
DRN	CHKD	ST	DATE	APPD	REV
13.10.17	13.10.17				0

PSF/4HS11L/MGA-02

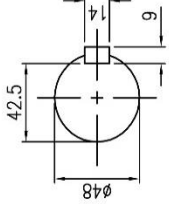
GENERAL ARRANGEMENT DRAWING FOR SINGLE STAGE AXIALLY SPLIT CASE PUMP 4HS11L WITH 18.5KW ABB MOTOR IN FRAME SIZE 180ML



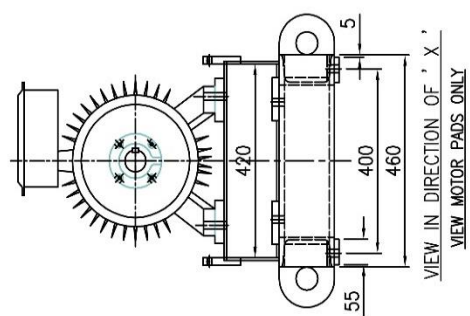
CLOCK-WISE ROTATION
LOOKING FROM DRIVE END



SCALE - 5:1
PUMP SHAFT DETAIL
AT COUPLING END



SCALE-4:1
MOTOR SHAFT DETAIL
AT COUPLING END



TOP VIEW OF BASE PLATE

APPROXIMATE WEIGHTS IN Kgs.

PUMP	190
MOTOR	175
BED PLATE	88
COUPLING & GAIRD	12
TOTAL WEIGHT	465

MOTOR DETAILS

MAKE	ABB
TYPE	TEFC.
KW	18.5
FR.SIZE	180ML
SPEED	1480 RPM.

CONNECTIONS	
ITEM	DESCRIPTION
GD	GLAND DRAIN
CG	COMPOUND GAUGE FOR SUCTION
PG	PRESSURE GAUGE FOR DELIVERY
AC	AIR COOK
PM	PRIMING
GDS	CASING DRAIN(SUCTION SIDE)
GDD	CASING DRAIN(DELIVERY SIDE)

SIZE(NPT)
1/2"
3/8"
3/8"
3/8"
1/2"
1/2"

** GAUGE CONNECTIONS LABELED AND TAPPED ONLY WHEN SPECIALLY REQUESTED BY THE CUSTOMER.

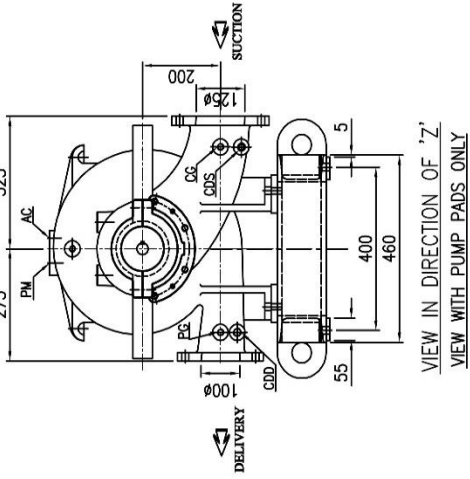
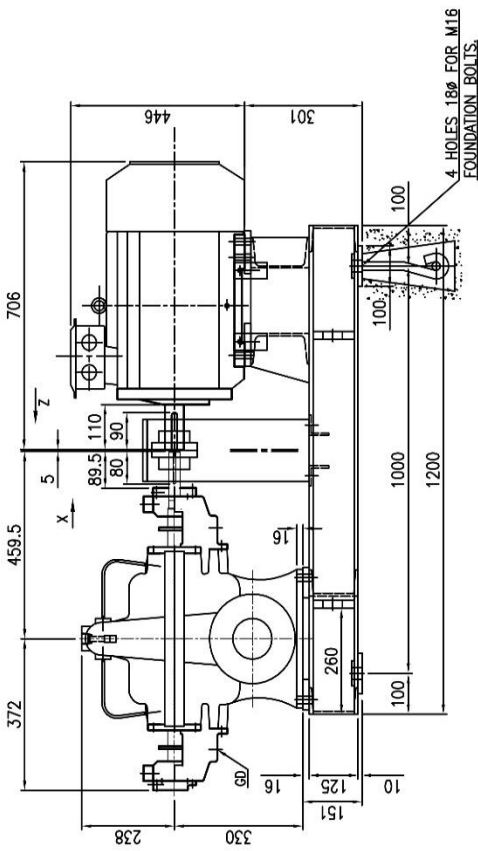
S	PN 16	250	210	22	Ø 18	—	—	—	—
D	PN 16			220	180	20	Ø 18	—	—
REF. NO.	TYPE OF FLANGE	O.D. P.C.D.	MIN OF HOLE	THK NO.	SIZE OF HOLE	REF. THK	MIN OF HOLE	REF. THK	DELIVERY - Ø 100

PROJECT NAME- PUMPSENSE JOB NO.-

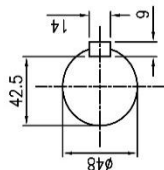
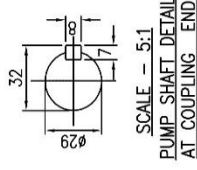
TITLE GA DRAWING FOR 4HS11L WITH 18.5KW ABB MOTOR FRAME SIZE 180ML SCALE 1:1

DRN	Ab	23.10.17	DRG. NO.	
CHKD	ST	23.10.17	PSF/4HS11L/GA-01	
APPD	MS	23.10.17		

GENERAL ARRANGEMENT DRAWING FOR SINGLE STAGE AXIALLY SPLIT CASE PUMP 4HS13 WITH 22KW ABB MOTOR IN FRAME SIZE 180ML



LOOKING FROM DRIVE END
CLOCK-WISE ROTATION

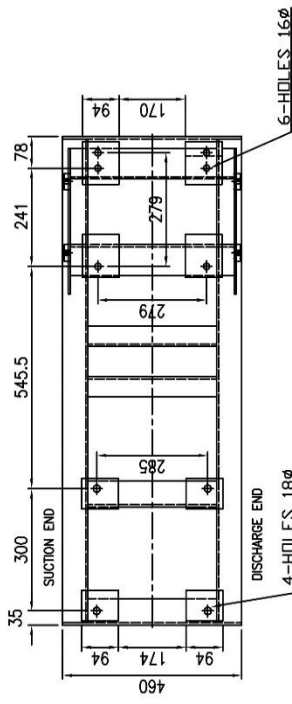
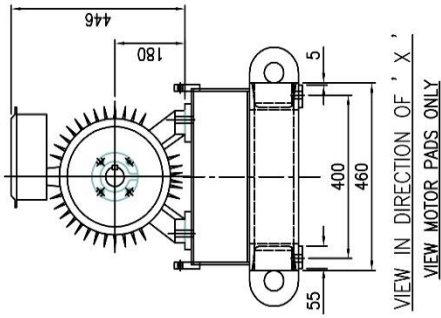


APPROXIMATE WEIGHTS IN KGS.

PUMP	240
MOTOR	185
BED PLATE	90
COUPLING & GAIRD	15
TOTAL WEIGHT	530

MOTOR DETAILS

MAKE	ABB
TYPE	TEFC.
KW	22
FR-SIZE	180ML
SPEED	1480 RPM.



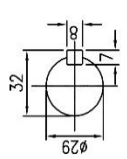
CONNECTIONS	
ITEM	DESCRIPTION
GD	GLAND DRAIN
CG	COMPOUND GAUGE FOR SUCTION
PG	PRESSURE GAUGE FOR DELIVERY
AC	AIR COCK
PM	PRIMING
CS	CASING DRAIN(SUCTION SIDE)
CD	CASING DRAIN(DELIVERY SIDE)

S	PN 16	250	210	22	Ø18	—	—	—	—
D	PN 16	—	—	180	Ø18	20	Ø18	—	—
REF. NO.	TYPE OF FLANGE	O.D.	P.C.D.	THK NO. MIN OF HOLE	REF. THK	Ø18	Ø18	RF	RF
	NO.			P.C.D. MIN OF HOLE	FLANGE				
				SUCTION - Ø125					
				DELIVERY - Ø100					

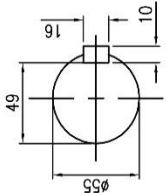
TITLE - PUMPSENSE			
GA DRAWING FOR 4HS13 WITH 22KW ABB MOTOR FRAME SIZE 180ML			
DRN NO	27.02.19	DRG. NO.	
CHKD BY	27.02.19	PSF / 4HS13/AGA-01	
APPD BY	27.02.19		
SCALE	1:1	REV	0

GENERAL ARRANGEMENT DRAWING FOR SINGLE STAGE AXIALLY SPLIT CASE PUMP 4HS13 WITH 30KW ABB MOTOR IN FRAME SIZE 200ML

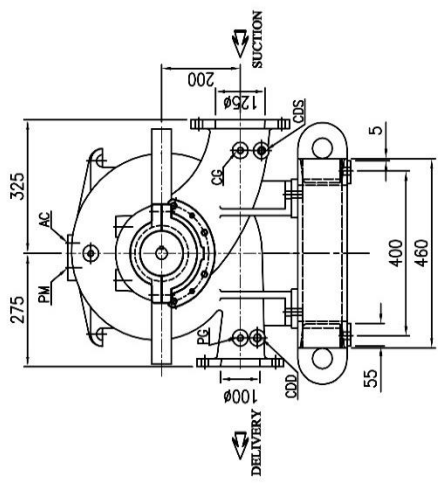
LOOKING FROM DRIVE END
CLOCK-WISE ROTATION



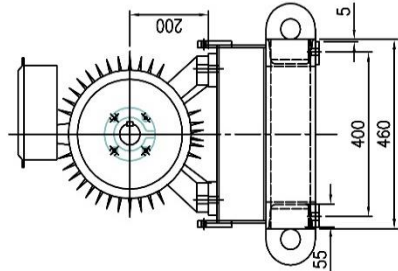
SCALE - 5:1
PUMP SHAFT DETAIL
AT COUPLING END



SCALE - 4:1
MOTOR SHAFT DETAIL
AT COUPLING END



VIEW IN DIRECTION OF 'Z',
VIEW WITH PUMP PADS ONLY



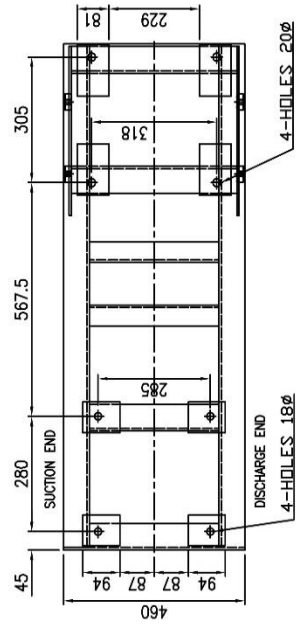
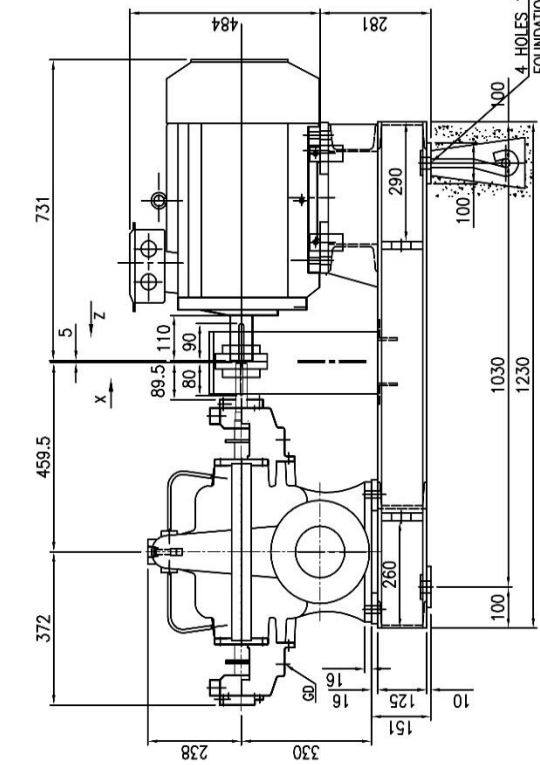
VIEW IN DIRECTION OF 'X',
VIEW MOTOR PADS ONLY

APPROXIMATE WEIGHTS IN Kgs.

PUMP	230
MOTOR	245
BED PLATE	92
COUPLING & GUARD	15
TOTAL WEIGHT	582

MOTOR DETAILS

MAKE	ABB
TYPE	TEFC.
KW	30
FR. SIZE	200ML
SPEED	1480 RPM.



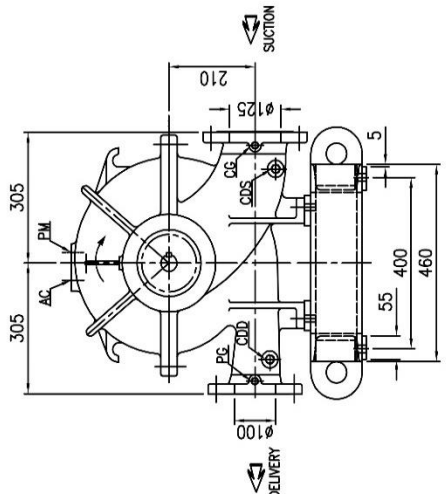
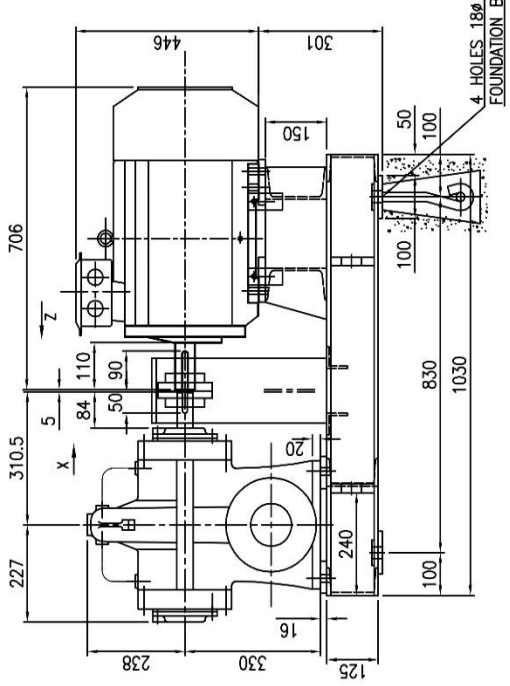
TOP VIEW OF BASE PLATE

CONNECTIONS		
ITEM	DESCRIPTION	SIZE (NPT)
GD	GLAND DRAIN	1/2"
CG	COMPOUND GAUGE FOR SUCTION	3/8"
PC	PRESSURE GAUGE FOR DELIVERY	3/8"
AC	AIR COCK	3/8"
PM	PRIMING	3/4"
CDS	CASING DRAIN(SUCTION SIDE)	1/2"
DD	CASING DRAIN(DELIVERY SIDE)	1/2"

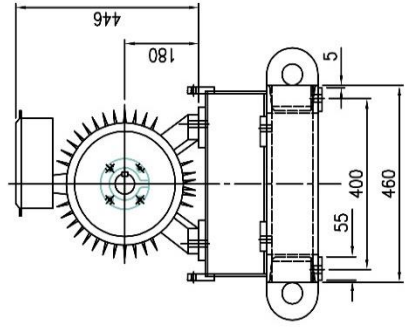
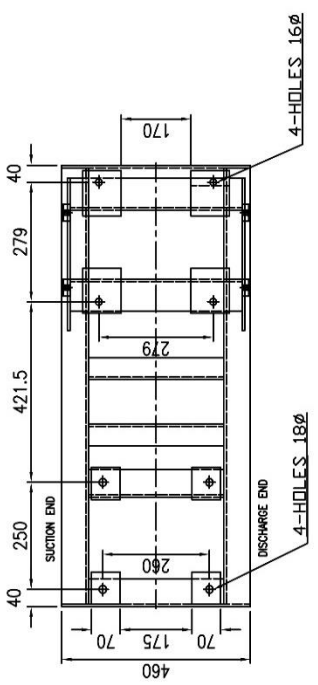
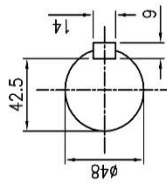
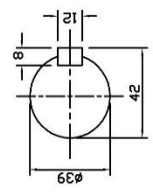
NOTE: GAUGE CONNECTIONS ORDERED AND TAPPED ONLY WHEN SPECIFICALLY REQUESTED BY THE CUSTOMER.

REV	DESCRIPTION	DRN	CHKD	DATE	DELIVERY	NO.
0					φ100	
1						
2						
3						
4						
5						
6						
7						
8						
9						
10						
11						
12						
13						
14						
15						
16						
17						
18						
19						
20						
21						
22						
23						
24						
25						
26						
27						
28						
29						
30						
31						
32						
33						
34						
35						
36						
37						
38						
39						
40						
41						
42						
43						
44						
45						
46						
47						
48						
49						
50						
51						
52						
53						
54						
55						
56						
57						
58						
59						
60						
61						
62						
63						
64						
65						
66						
67						
68						
69						
70						
71						
72						
73						
74						
75						
76						
77						
78						
79						
80						
81						
82						
83						
84						
85						
86						
87						
88						
89						
90						
91						
92						
93						
94						
95						
96						
97						
98						
99						
100						

GENERAL ARRANGEMENT DRAWING FOR SINGLE STAGE AXIALLY SPLIT CASE PUMP 4HS14 WITH 18.5KW ABB MOTOR IN FRAME SIZE 180ML



LOOKING FROM DRIVE END
CLOCK-WISE ROTATION



APPROXIMATE WEIGHTS IN KGS.

PUMP	300
MOTOR	175
BED PLATE	85
COUPLING & GAIRD	15
TOTAL WEIGHT	575

MOTOR DETAILS

MAKE	ABB
TYPE	TEFC.
KW	18.5
FR. SIZE	180ML
SPEED	1480 RPM.

CONNECTIONS

ITEM	DESCRIPTION	SIZE (NPT)
CG	COMPOUND GAUGE FOR SUCTION	3/8"
PG	PRESSURE GAUGE FOR DELIVERY	3/8"
AC	AIR LOCK	3/8"
PM	PRIMING	3/4"
ODS	CASING DRAIN(SUCTION SIDE)	3/4"
COO	CASING DRAIN(DELIVERY SIDE)	3/4"

FOR RANGE OF CONNECTIONS, REFER TO THE GENERAL PUMP MANUAL.

S	PN 16	250	210	22	b, ϕ 18	—	—	—	—	—	—	—	—	—	—	—	—	—
D	PN 16	—	—	220	180	20	b, ϕ 18	—	—	—	—	—	—	—	—	—	—	—
REF. NO.	TYPE OF FLANGE	O.D. P.C.D.	MIN OF HOLE	THK. NO. SIZE	RF. THK	RF. THK	MIN OF HOLE	RF. THK	RF. THK	RF. THK	RF. THK	RF. THK	RF. THK	RF. THK	RF. THK	RF. THK	RF. THK	RF. THK
NO.	FLANGE	SUCTION - ϕ 125	DELIVERY - ϕ 100	DELIVERY - ϕ 100	DELIVERY - ϕ 100	DELIVERY - ϕ 100	DELIVERY - ϕ 100	DELIVERY - ϕ 100	DELIVERY - ϕ 100	DELIVERY - ϕ 100	DELIVERY - ϕ 100	DELIVERY - ϕ 100	DELIVERY - ϕ 100	DELIVERY - ϕ 100	DELIVERY - ϕ 100	DELIVERY - ϕ 100	DELIVERY - ϕ 100	DELIVERY - ϕ 100

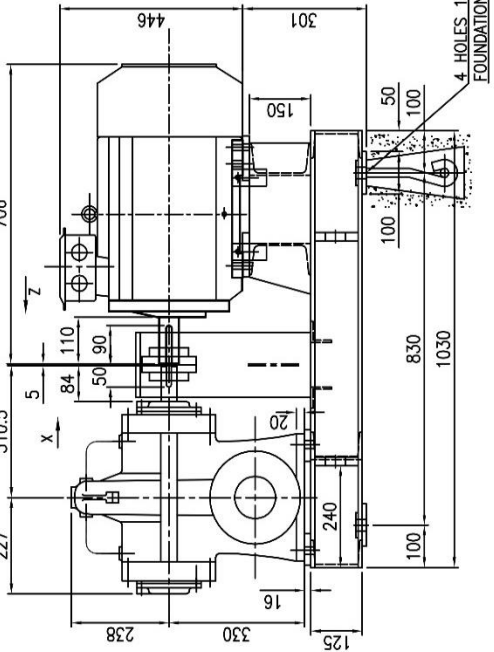
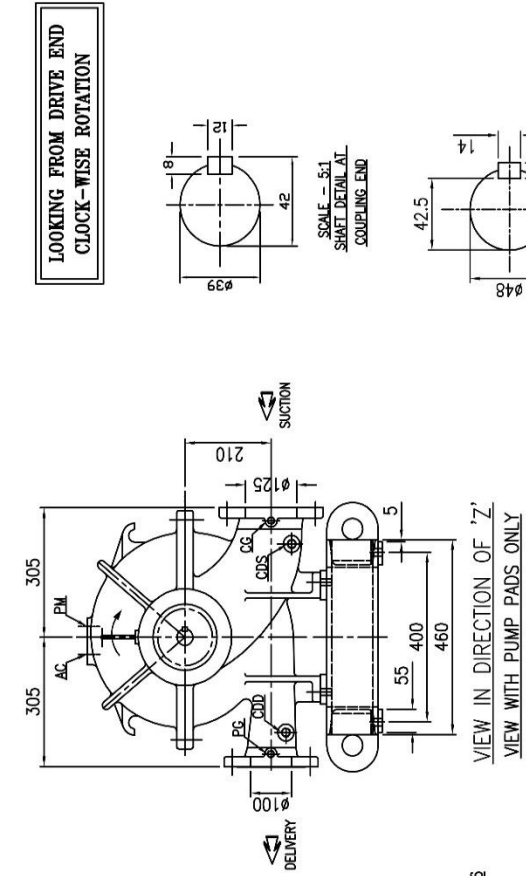
TITLE

GA DRAWING FOR 4HS14 WITH 18.5KW ABB MOTOR FRAME SIZE 180ML

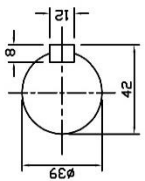
SCALE 1:1

DRN	AD	08.11.17	DRG. NO.	0
CHKD	ST	08.11.17	PSF / AHS14 / MGA - 02	
APPD	HS	08.11.17		
REV				

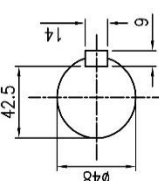
GENERAL ARRANGEMENT DRAWING FOR SINGLE STAGE AXIALLY SPLIT CASE PUMP 4HS14 WITH 22KW ABB MOTOR IN FRAME SIZE 180ML



LOOKING FROM DRIVE END
CLOCK-WISE ROTATION

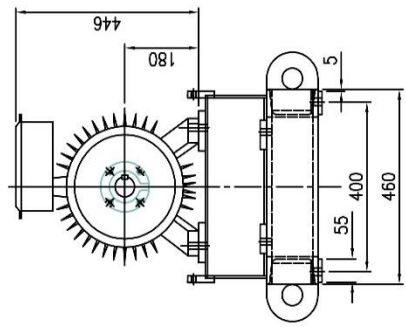


SCALE - 5:1
SHAFT DETAIL AT
COUPLING END

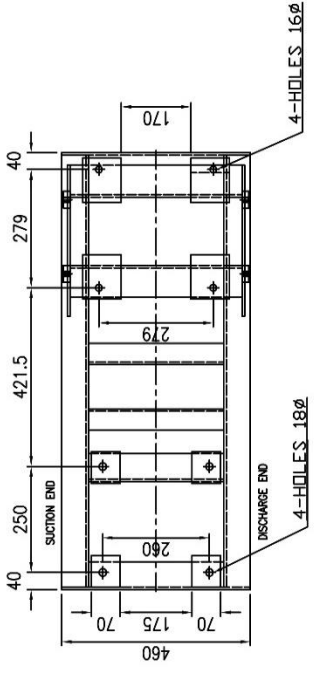


SCALE - 4:1
MOTOR SHAFT DETAIL
AT COUPLING END

VIEW IN DIRECTION OF 'Z',
VIEW WITH PUMP PADS ONLY



VIEW IN DIRECTION OF 'X',
VIEW MOTOR PADS ONLY



TOP VIEW OF BASE PLATE

APPROXIMATE WEIGHTS IN Kgs.

PUMP	300
MOTOR	185
BED PLATE	85
COUPLING & GAIRD	15
TOTAL WEIGHT	585

MOTOR DETAILS

MAKE	ABB
TYPE	TEFC.
KW	22
FR-SIZE	180ML
SPEED	1480 RPM.

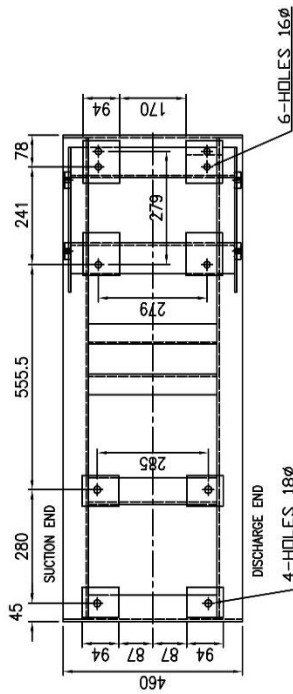
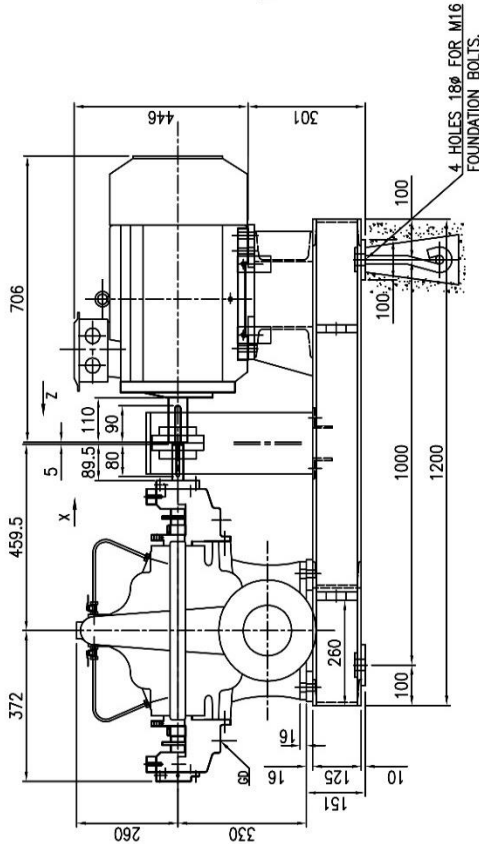
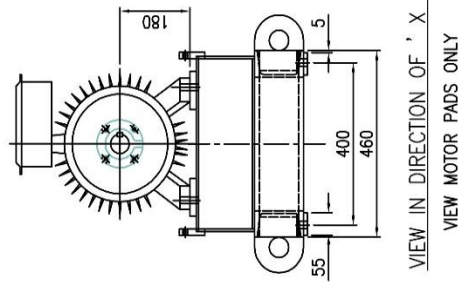
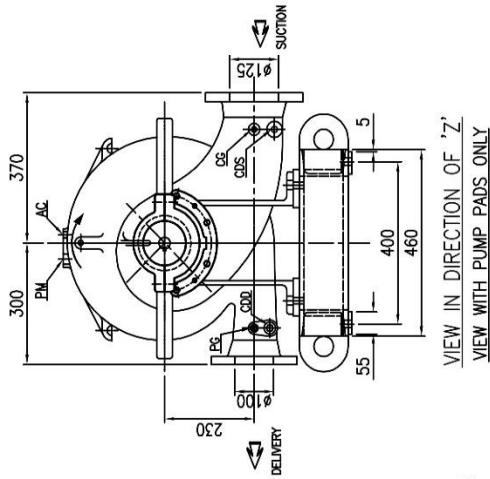
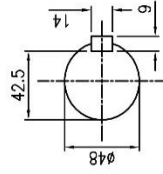
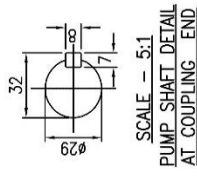
CONNECTIONS	
ITEM	DESCRIPTION
CG	COMPOUND GAUGE FOR SUCTION
CD	COMPOUND GAUGE FOR DELIVERY
AC	AIR COCK
PM	PRIMING
CDS	CASING DRAIN(SUCTION SIDE)
OD	CASING DRAIN(DELIVERY SIDE)

S	PN 16	250	210	22	Ø, Ø18	—	—	—	—
D	PN 16	O.D.	P.C.D.	THK NO.	SIZE OF HOLE	RF THK	MIN OF HOLE	RF FLANGE	RF FLANGE
REF. NO.	FLANGE	FLANGE	FLANGE	FLANGE	FLANGE	FLANGE	FLANGE	FLANGE	FLANGE
NO.	NO.	NO.	NO.	NO.	NO.	NO.	NO.	NO.	NO.
SUCTION - Ø125					DELIVERY - Ø100				

PUMPSENSE	
TITLE	
SCALE	
REV	
GA DRAWING FOR 4HS14 WITH 22KW ABB MOTOR FRAME SIZE 180ML	
1:1	
DRN	06.11.17
CHKD	06.11.17
APPRD	06.11.17
DRG. NO.	PSF/4HS14/MGA-01
REV	0

GENERAL ARRANGEMENT DRAWING FOR SINGLE STAGE AXIALLY SPLIT CASE PUMP 4HS15 WITH 22KW ABB MOTOR IN FRAME SIZE 180ML

LOOKING FROM DRIVE END
CLOCK-WISE ROTATION



TOP VIEW OF BASE PLATE

APPROXIMATE WEIGHTS IN Kgs.

PUMP	210
MOTOR	185
BED PLATE	90
COUPLING & GAIRD	15
TOTAL WEIGHT	500

MOTOR DETAILS

MAKE	ABB
TYPE	TEFC.
KW	22
FR.SIZE	180ML
SPEED	1480 RPM.

CONNECTIONS	
ITEM	SIZE (NPT)
GD	GLAND DRWN 1/2"
CG	COMPOUND GAUGE FOR SUCTION 3/8"
PC	PRESSURE GAUGE FOR DELIVERY 3/8"
AC	AIR COCK 3/8"
PM	PRIMING 1/2"
CDS	CASING DRAWN(SUCTION SIDE) 1/2"
DDD	CASING DRAWN(DELIVERY SIDE) 1/2"

** GAUGE CONNECTIONS, SIZES AND JOINTS ONLY WHEN SPECIALLY REQUESTED BY THE CUSTOMER.

S	PN 16	250	210	22	8, 18	—	—	—
D	PN 16	—	—	220	180	20	8, 18	—
REF. NO.	TYPE OF FLANGE	O.D. P.C.D.	THK. MIN OF HOLE	REF. THK. MIN OF HOLE	O.D. P.C.D.	THK. MIN OF HOLE	REF. THK. MIN OF HOLE	REF. THK. MIN OF HOLE
				SUCTION - ϕ 125		DELIVERY - ϕ 100		

REV	DESCRIPTION	DRN	CHKD	DATE
0				

TITLE
GA. DRAWING FOR 4HS15 WITH 22KW
ABB MOTOR FRAME SIZE 180ML

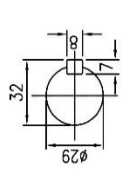
SCALE
1:1

DRN Ab 23.10.17
CHKD ST 23.10.17
APPD HS 24.10.17

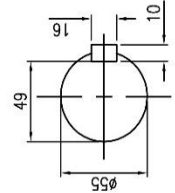
PSF/4HS15/MGA-01

GENERAL ARRANGEMENT DRAWING FOR SINGLE STAGE AXIALLY SPLIT CASE PUMP 4HS15 WITH 30KW ABB MOTOR IN FRAME SIZE 200ML

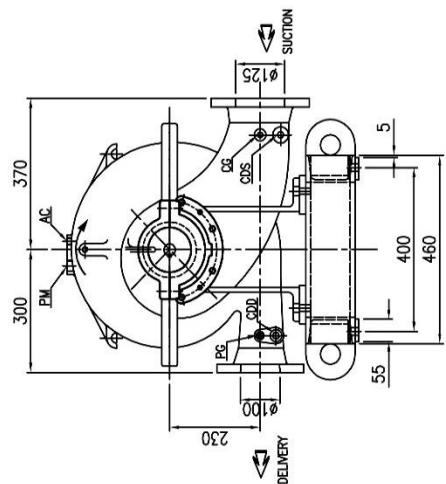
LOOKING FROM DRIVE END
CLOCK-WISE ROTATION



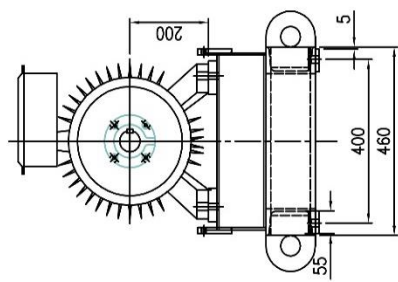
SCALE - 5:1
PUMP SHAFT DETAIL
AT COUPLING END



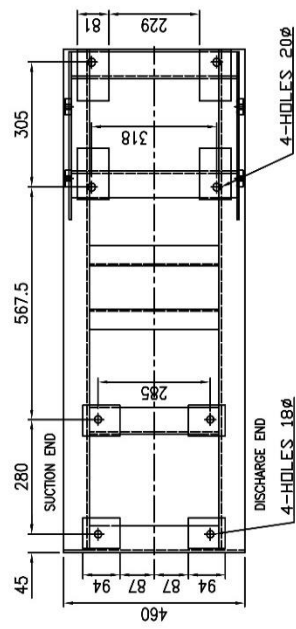
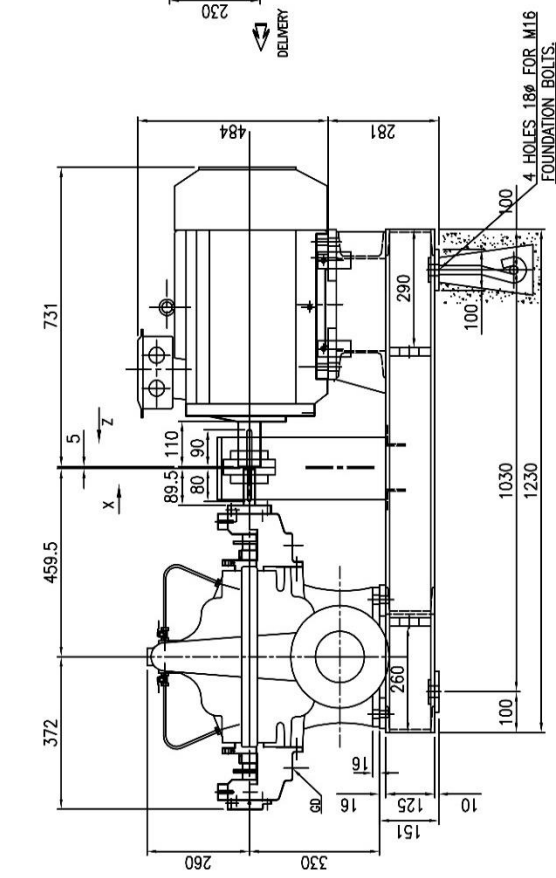
SCALE - 4:1
MOTOR SHAFT DETAIL
AT COUPLING END



VIEW IN DIRECTION OF 'Z',
VIEW WITH PUMP PADS ONLY



VIEW IN DIRECTION OF 'X',
VIEW MOTOR PADS ONLY



TOP VIEW OF BASE PLATE

APPROXIMATE WEIGHTS IN KGS.	
PUMP	210
MOTOR	245
BED PLATE	92
COUPLING & GAIRD	15
TOTAL WEIGHT	562

MOTOR DETAILS	
MAKE	ABB
TYPE	TEFC.
KW	30
FR-SIZE	200ML
SPEED	1480 RPM.

ITEM	CONNECTIONS	DESCRIPTION	SIZE(NPT)
GD		GLAND DRAIN	1/2"
CG		COMPOUND GAUGE FOR SUCTION	3/8"
PC		PRESSURE GAUGE FOR DELIVERY	3/8"
AC		AIR COCK	1/2"
PM		PRIMING	1/2"
CDS		CASING DRAIN(SUCTION SIDE)	1/2"
CDD		CASING DRAIN(DELIVERY SIDE)	1/2"

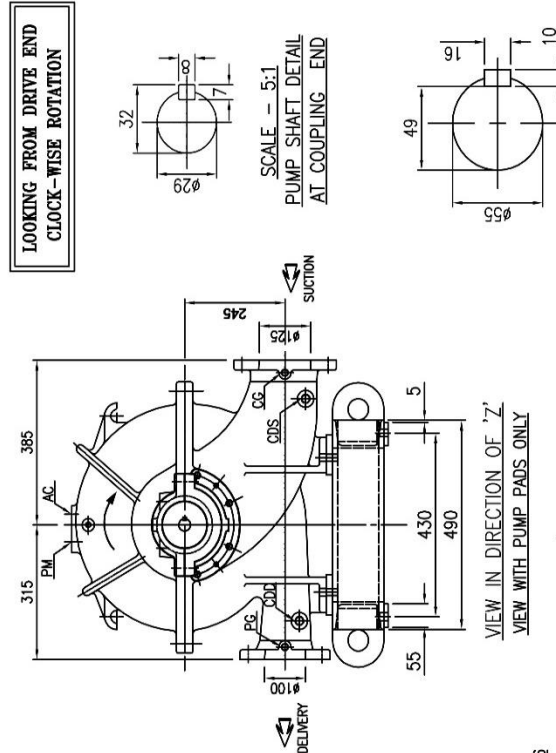
** GAUGE CONNECTIONS WELDED AND LAPPED ONLY WHEN SPECIALLY REQUESTED BY THE CUSTOMER.

DRN	APPD	DATE	REV	DESCRIPTION	REV	DESCRIPTION	REV	DESCRIPTION	REV	DESCRIPTION
CHKO	MS	23.10.17	0							

REF. NO.	THK. OF FLANGE	O.D. OF HOLE	P.C.D.	THK. NO. OF HOLE	SIZE OF HOLE	THK. NO. OF HOLE	SIZE OF HOLE	THK. NO. OF HOLE	SIZE OF HOLE	DELIVERY - Ø100
S	PN 16	250	210	22	8, 18	—	—	—	—	—
D	PN 16	—	—	—	—	220	180	20	8, 18	—

PUMPSENSE	
TITLE	GA DRAWING FOR 4HS15 WITH 30KW ABB MOTOR FRAME SIZE 200ML
SCALE	1:1
DRG. NO.	PSF/4HS15/MGA-01

GENERAL ARRANGEMENT DRAWING FOR SINGLE STAGE AXIALLY SPLIT CASE PUMP 4HS16 WITH 30KW ABB MOTOR IN FRAME SIZE 200ML

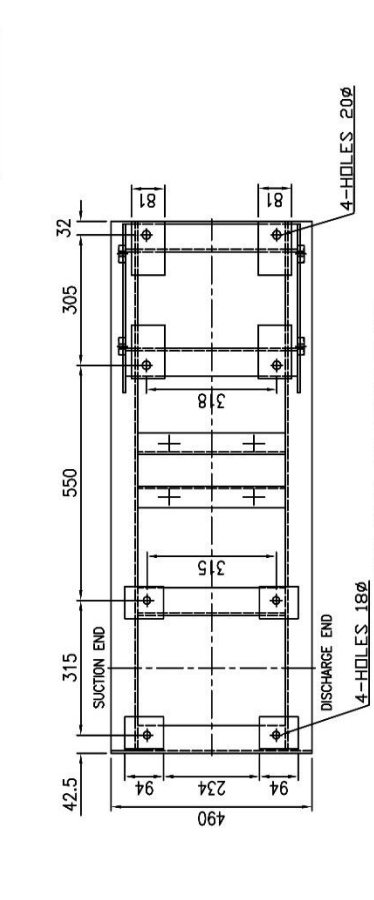
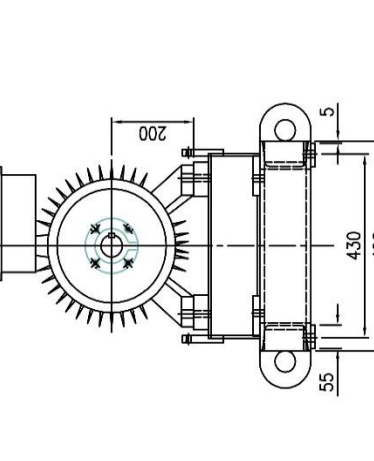
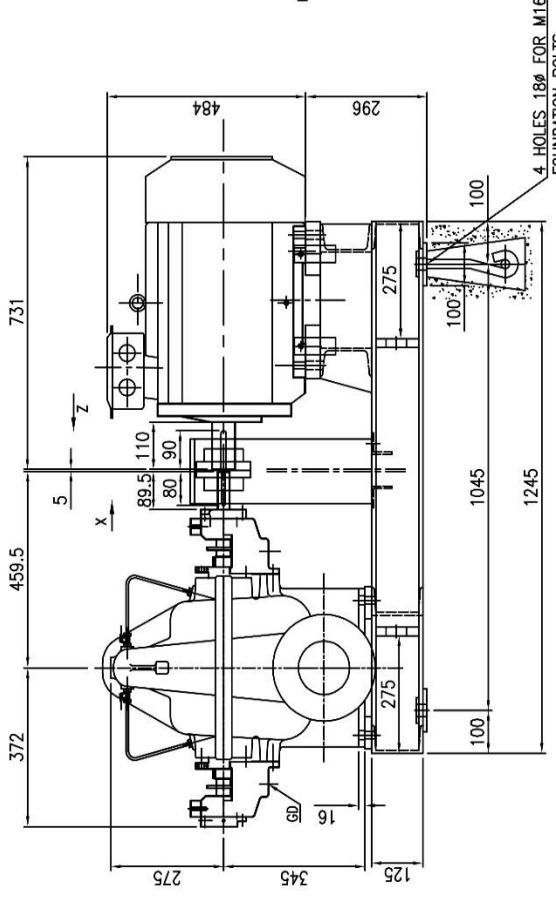


APPROXIMATE WEIGHTS IN Kgs.

PUMP	250
MOTOR	245
BED PLATE	94
COUPLING & GAIRD	15
TOTAL WEIGHT	604

MOTOR DETAILS

MAKE	ABB
TYPE	TEFC.
KW	30
FR-SIZE	200ML
SPEED	1480 RPM.



CONNECTIONS	
ITEM	DESCRIPTION
GD	GLAND DRAIN
CC	COMPOUND GAUGE FOR SUCTION
PG	PRESSURE GAUGE FOR DELIVERY
AC	AIR COCK
PM	PRIMING
DIS	CASING DRAIN(SUCTION SIDE)
DDD	CASING DRAIN(DELIVERY SIDE)

SIZE(NPT)
1/2"
3/8"
3/8"
3/8"
1/2"
1/2"
1/2"

NOTE: MAKE CONNECTIONS DRAILED AND TAPPED ONLY WHEN SPECIFICALLY INDICATED BY THE CUSTOMER.

S	PN 16	250	210	22	8, 18	—	—	—	—
D	PN 16	—	—	220	180	20	8, 18	—	—
REF. NO.	TYPE OF NO.	O.D.	P.C.D.	MIN OF HOLE	RF FLANGE	THK NO. SIZE OF RF THK	NO. SIZE OF HOLE	RF THK	MIN OF HOLE
FLANGE	NO.	FLANGE	FLANGE	FLANGE	FLANGE	FLANGE	FLANGE	FLANGE	FLANGE
SUCTION - Ø125					DELIVERY - Ø100				

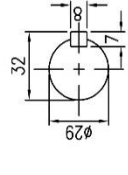
TITLE	
GA DRAWING FOR 4HS16 WITH 30KW ABB MOTOR FRAME SIZE 200ML	
DRN	DATE
CHKD	DATE
APPD	DATE
DRN	23.10.17
CHKD	23.10.17
APPD	24.10.17
DRG. NO.	PSF/AHS16/AGA-01
REV	0

PUMPSENSE

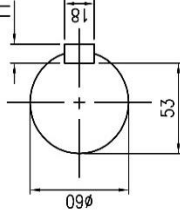
SCALE 1:1

GENERAL ARRANGEMENT DRAWING FOR SINGLE STAGE AXIALLY SPLIT CASE PUMP 4HS16 WITH 45KW ABB MOTOR IN FRAME SIZE 225SM

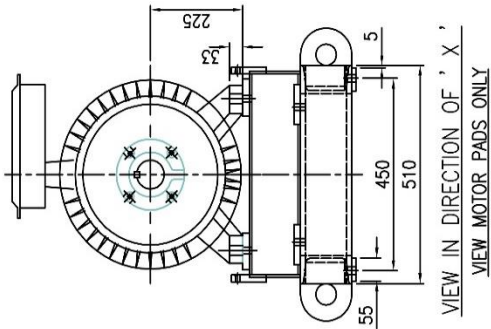
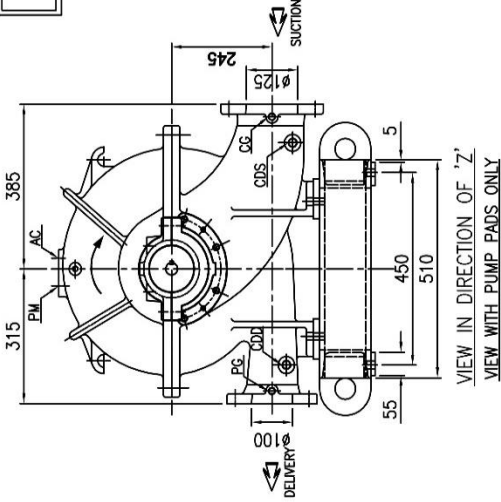
LOOKING FROM DRIVE END
CLOCK-WISE ROTATION



SCALE - 5:1
PUMP SHAFT DETAIL
AT COUPLING END

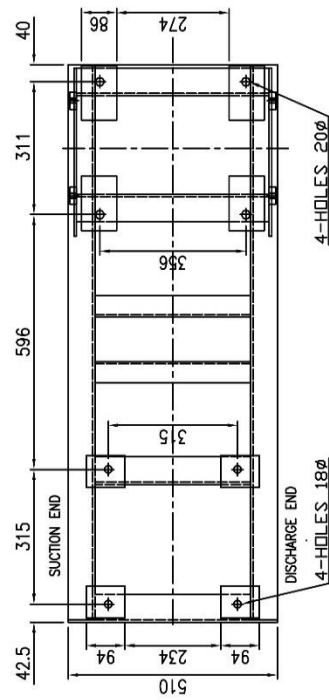
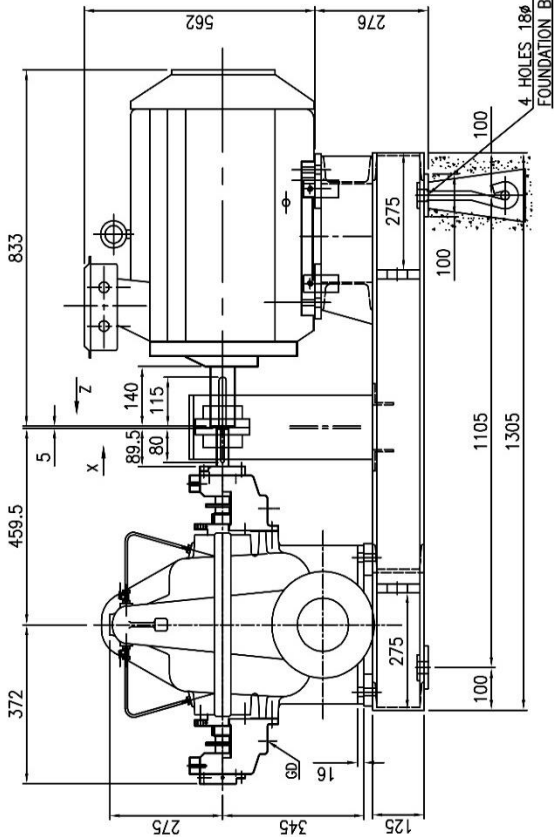


SCALE - 4:1
MOTOR SHAFT DETAIL
AT COUPLING END



APPROXIMATE WEIGHTS IN KGS.

PUMP	250
MOTOR	340
BED PLATE	95
COUPLING & GAIRD	15
TOTAL WEIGHT	700
MOTOR DETAILS	
MAKE	ABB
TYPE	IEFC.
KW	45
FR.SIZE	225SM
SPEED	1480 RPM.

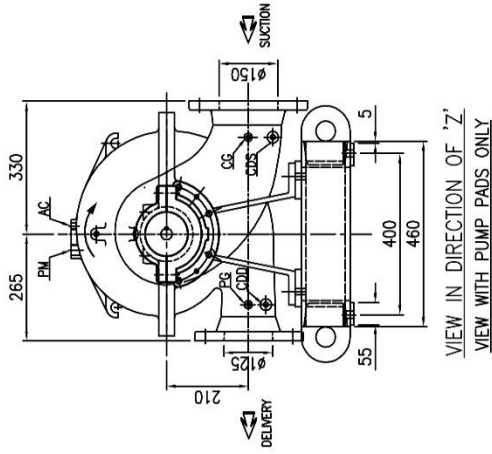
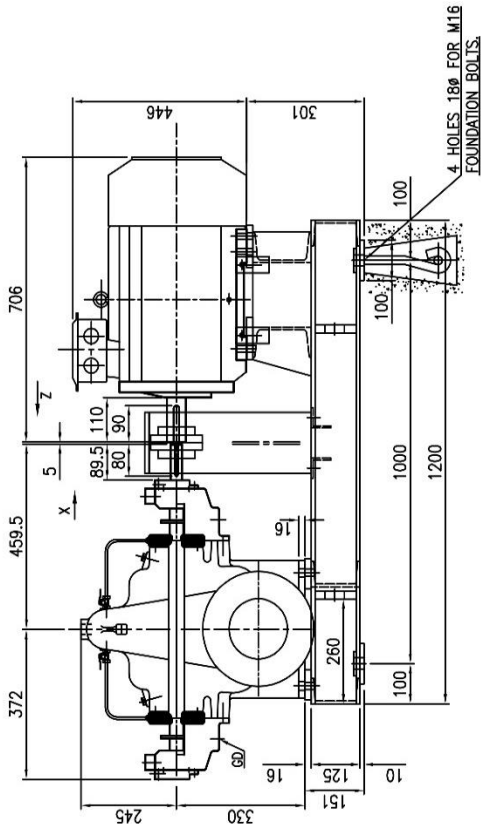


CONNECTIONS		DESCRIPTION	SIZE(NPT)
GD	GLAND DRAIN		1/2"
CC	COMPOUND GAUGE FOR SUCTION		3/8"
PG	PRESSURE GAUGE FOR DELIVERY		3/8"
AC	AIR COCK		3/8"
PM	PRIMING		1/2"
CDS	CASING DRAIN(SUCTION SIDE)		1/2"
DDD	CASING DRAIN(DELIVERY SIDE)		1/2"

TITLE				PUMP/SENSE
GA DRAWING FOR 4HS16 WITH 45KW ABB MOTOR FRAME SIZE 225SM				SCALE
DRN	AD	23.10.17	23.10.17	1:1
CHKD	BT	23.10.17		REV
APPD	HS	24.10.17		0

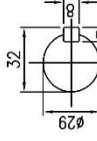
REV	DESCRIPTION	DRN	CHKD	DATE	DELIVERY - ø100
S	PN 16	250	210	22	8, 18
D	PN 16				
REF.	TYPE OF NO.	O.D.	P.C.D.	THK	NO. SIZE OF THK NO. SIZE OF THK NO. SIZE OF THK
	FLANGE				MIN OF HOLE MIN OF HOLE MIN OF HOLE
					RF FLANGE RF FLANGE RF FLANGE

GENERAL ARRANGEMENT DRAWING FOR SINGLE STAGE AXIALLY SPLIT CASE PUMP 5HS12 WITH 18.5KW ABB MOTOR IN FRAME SIZE 180ML

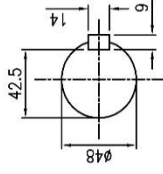


VIEW IN DIRECTION OF 'Z'
VIEW WITH PUMP PADS ONLY

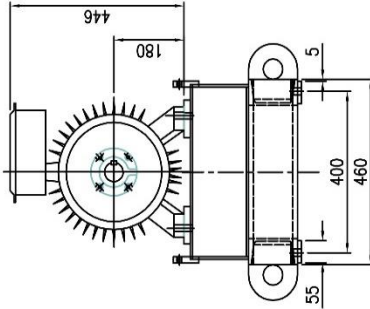
LOOKING FROM DRIVE END
CLOCK-WISE ROTATION



SCALE - 5:1
PUMP SHAFT DETAIL
AT COUPLING END



SCALE - 4:1
MOTOR SHAFT DETAIL
AT COUPLING END



TOP VIEW OF BASE PLATE

APPROXIMATE WEIGHTS IN Kgs.	
PUMP	203
MOTOR	175
BED PLATE	90
COUPLING & GAIRD	15
TOTAL WEIGHT	483

MOTOR DETAILS	
MAKE	ABB
TYPE	TEFC.
KW	18.5
FR.SIZE	180ML
SPEED	1480 RPM.

VIEW IN DIRECTION OF 'X'
VIEW MOTOR PADS ONLY

ITEM	CONNECTIONS	DESCRIPTION	SIZE(NPT)
GD		GLAND DRAIN	1/2"
CG		COMPOUND GAUGE FOR SUCTION	3/8"
PC		PRESSURE GAUGE FOR DELIVERY	3/8"
AC		AIR COCK	3/8"
PM		PRIMING	1/2"
CDS		CASING DRAIN(SUCTION SIDE)	1/2"
CDL		CASING DRAIN(DELIVERY SIDE)	1/2"

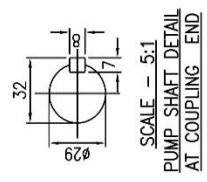
ALL DIMENSIONS UNLESS SPECIFIED OTHERWISE ARE IN MILLIMETERS.

S	PN 16	285	240	22	Ø	Ø22	SUCTION - Ø150	
D	PN 18			250	210	22	Ø	Ø18
REF. NO.	TYPE OF FLANGE	O.D.	P.C.D.	MIN OF HOLE	RF	THK	NO. SIZE	RF
	NO. OF FLANGE	Ø	Ø150	Ø150	Ø150	Ø150	Ø150	Ø150

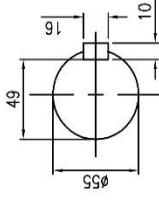
PUMPSENSE	
TITLE GA DRAWING FOR 5HS12 WITH 18.5KW ABB MOTOR FRAME SIZE 180ML	
SCALE 1:1	
DRN	11.10.17
CHKD	11.10.17
APPD	11.10.17
DRG. NO. PSF/5HS12/MCA-01	
REV	0

GENERAL ARRANGEMENT DRAWING FOR SINGLE STAGE AXIALLY SPLIT CASE PUMP 5HS12 WITH 30KW ABB MOTOR IN FRAME SIZE 200ML

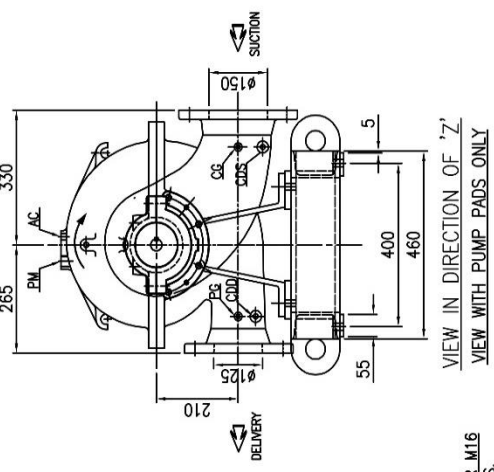
LOOKING FROM DRIVE END
CLOCK-WISE ROTATION



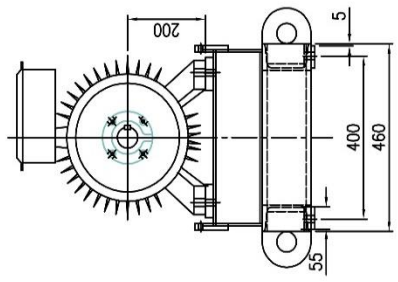
SCALE - 5:1
PUMP SHAFT DETAIL
AT COUPLING END



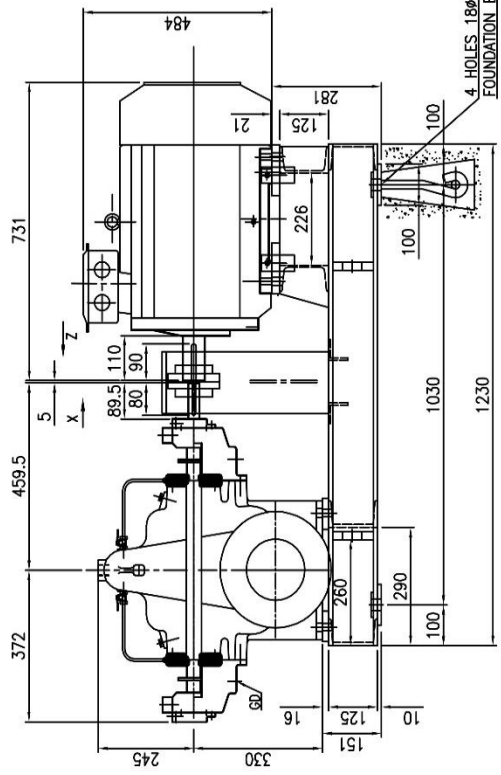
SCALE-4:1
MOTOR SHAFT DETAIL
AT COUPLING END



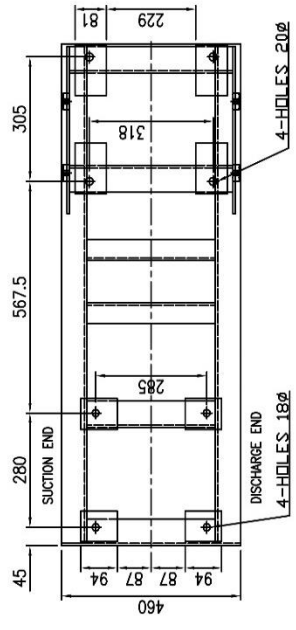
VIEW IN DIRECTION OF 'Z'
VIEW WITH PUMP PADS ONLY



VIEW IN DIRECTION OF 'X'
VIEW MOTOR PADS ONLY



4 HOLES 18φ FOR M16
FOUNDATION BOLTS.



TOP VIEW OF BASE PLATE

APPROXIMATE WEIGHTS IN Kgs.

PUMP	203
MOTOR	245
BED PLATE	92
COUPLING & GAIRD	15
TOTAL WEIGHT	555

MOTOR DETAILS

MAKE	ABB
TYPE	TEFC.
KW	30
FR-SIZE	200ML
SPEED	1480 RPM.

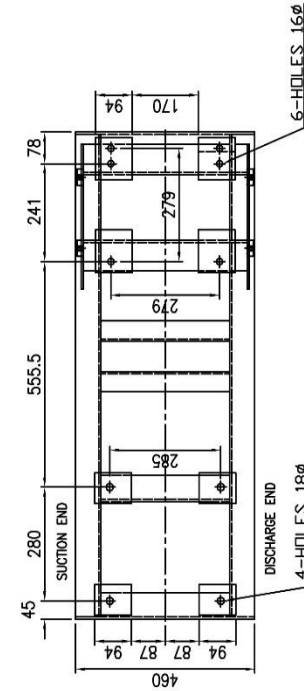
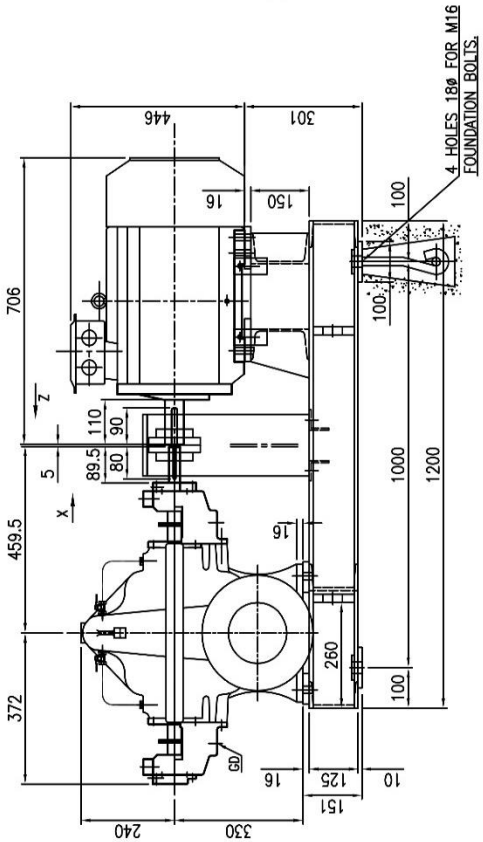
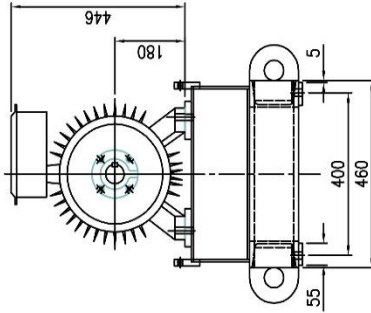
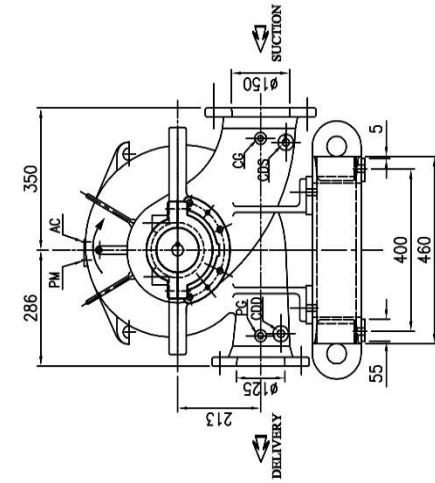
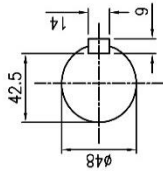
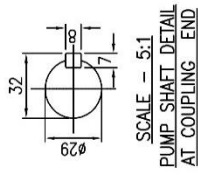
ITEM	DESCRIPTION	SIZE(NPT)
GD	GLAND DRAIN	1/2"
CG	COMPOUND GAUGE FOR SUCTION	3/8"
PG	PRESSURE GAUGE FOR DELIVERY	3/8"
AC	AIR COCK	3/8"
PM	PRIMING	1/2"
CDS	CASING DRAIN(SUCTION SIDE)	1/2"
CCD	CASING DRAIN(DELIVERY SIDE)	1/2"

NOTE: GAUGE CONNECTIONS, PRIMING AND DRAIN PIPING MUST BE PROVIDED BY THE CUSTOMER.
SPECIALLY REQUESTED BY THE CUSTOMER.

S	PN	REV	DELIVERY - φ125				DESCRIPTION	DRN	CHKD	DATE	REV	0
			265	240	22	8, φ22						
D	PN 16		250	210	22	8, φ18						
REF. TYPE OF FLANGE												
			O.D. P.C.D. MIN OF HOLE	P.C.D. MIN OF HOLE	THK NO. SIZE RF	THK NO. SIZE RF						
			RF FLANGE	RF FLANGE	RF THK	RF THK						
			SUCTION - φ150				DELIVERY - φ125					
TITLE												
GA DRAWING FOR 5HS12 WITH 30KW ABB MOTOR FRAME SIZE 200ML												
SCALE 1:1												
DRN AD 13.10.17												
CHKD ST 13.10.17												
APPD HS 13.10.17												
PSF/5HS12/MGA-01												
DRG. NO.												

GENERAL ARRANGEMENT DRAWING FOR SINGLE STAGE AXIALLY SPLIT CASE PUMP 5HS13 WITH 22KW ABB MOTOR IN FRAME SIZE 180ML

LOOKING FROM DRIVE END
CLOCK-WISE ROTATION



APPROXIMATE WEIGHTS IN KGS.

PUMP	263
MOTOR	185
BED PLATE	90
COUPLING & GAIRD	15
TOTAL WEIGHT	553

MOTOR DETAILS

MAKE	ABB
TYPE	TEFC.
KW	22
FR.SIZE	180ML
SPEED	1480 RPM.

CONNECTIONS		ITEM		DESCRIPTION	SIZE(NPT)
	GD			GLAND DRAIN	1/2"
	CG			COMPOUND GAUGE FOR SUCTION	3/8"
	PC			PRESSURE GAUGE FOR DELIVERY	3/8"
	AC			AIR COCK	3/8"
	PM			PRIMING	3/4"
	CDS			CASING DRAIN(SUCTION SIDE)	1/2"
	GDD			CASING DRAIN(DELIVERY SIDE)	1/2"

NOTE: CONNECTIONS INCLUDE AND THERE ONLY WHEN SPECIALLY INDICATED IN THE DRAWING.

REV	DESCRIPTION	DRN	CHKD	DATE
0				

REV	DESCRIPTION	DRN	CHKD	DATE
0				

REV	DESCRIPTION	DRN	CHKD	DATE
0				

REV	DESCRIPTION	DRN	CHKD	DATE
0				

REV	DESCRIPTION	DRN	CHKD	DATE
0				

REV	DESCRIPTION	DRN	CHKD	DATE
0				

REV	DESCRIPTION	DRN	CHKD	DATE
0				

TITLE: GA DRAWING FOR 5HS13 WITH 22KW ABB MOTOR FRAME SIZE 180ML

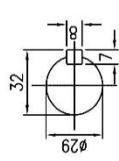
SCALE: 1:1

DRN AD 11.10.17
CHKD ST 11.10.17
APPD HS 11.10.17

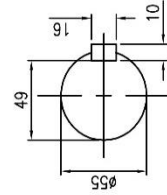
DRG. NO. PSF/5HS13/MGA-01

GENERAL ARRANGEMENT DRAWING FOR SINGLE STAGE AXIALLY SPLIT CASE PUMP 5HS13 WITH 30KW ABB MOTOR IN FRAME SIZE 200ML

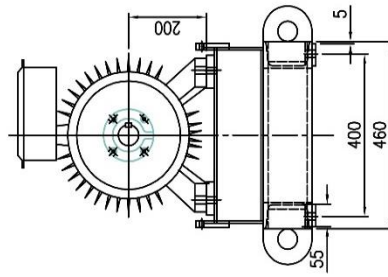
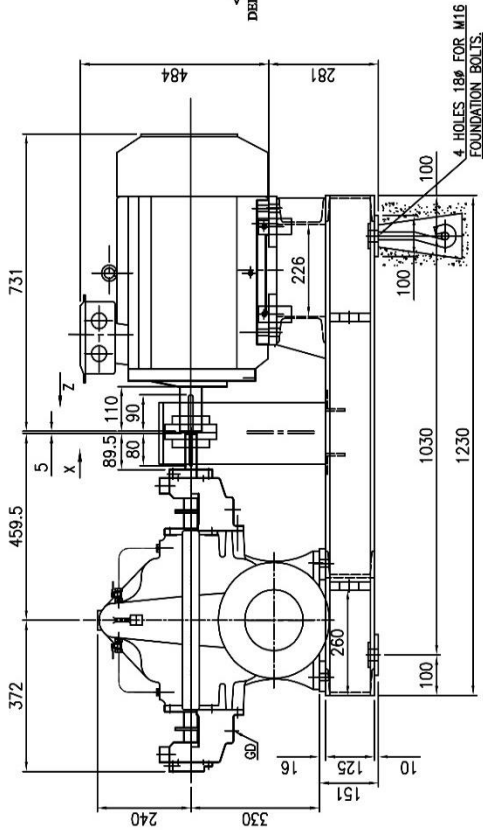
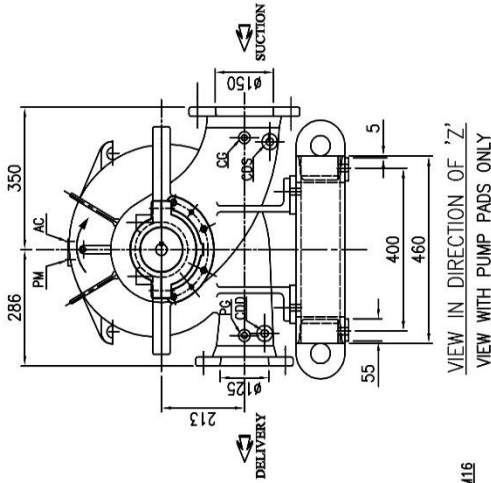
LOOKING FROM DRIVE END
CLOCK-WISE ROTATION



SCALE - 5:1
PUMP SHAFT DETAIL
AT COUPLING END



SCALE - 4:1
MOTOR SHAFT DETAIL
AT COUPLING END



APPROXIMATE WEIGHTS IN Kgs.	
PUMP	263
MOTOR	245
BED PLATE	92
COUPLING & GAURD	15
TOTAL WEIGHT	615
MOTOR DETAILS	
MAKE	ABB
TYPE	TEFC.
KW	30
FR-SIZE	200ML
SPEED	1480 RPM.

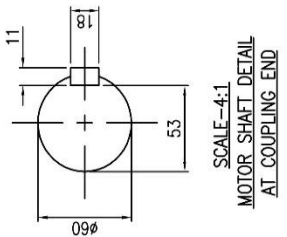
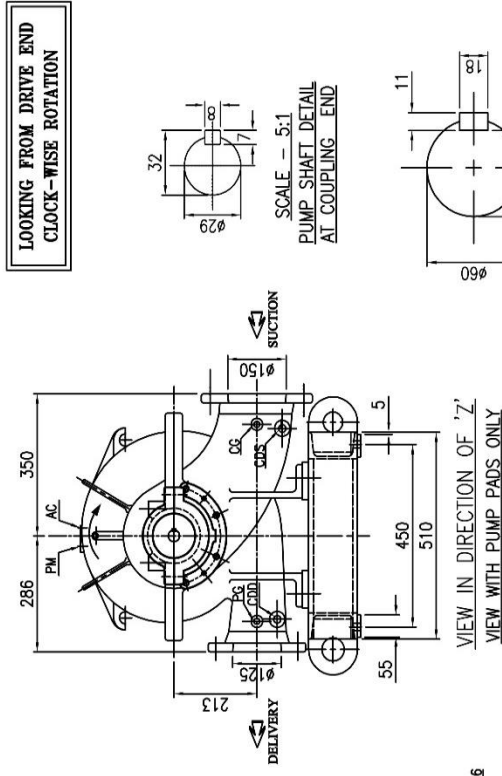
CONNECTIONS		
ITEM	DESCRIPTION	SIZE(NPT)
GD	GLAND DRAIN	1/2"
CG	COMPOUND GAUGE FOR SUCTION	3/8"
PG	PRESSURE GAUGE FOR DELIVERY	3/8"
AC	AIR COCK	3/8"
PM	PRIMING	3/4"
CDS	CASING DRAIN(SUCTION SIDE)	1/2"
CCD	CASING DRAIN(DELIVERY SIDE)	1/2"

ALL GAUGE CONNECTIONS SHALL BE MADE ONLY AS SPECIFIED BY THE CUSTOMER.

S	PN 16	285	240	22	8, #22	—	—	—	—
D	PN 18	250	210	22	8, #18	—	—	—	—
REF. NO.	TYPE OF FLANGE	O.D.	P.C.D.	MIN OF HOLE	RF THK	THK NO. SIZE OF	RF THK	MIN OF HOLE	RF FLANGE
NO.	FLANGE	SUCTION - #150		DELIVERY - #125					

PUMP/SENSE				
TITLE				
GA DRAWING FOR 5HS13 WITH 30KW ABB MOTOR FRAME SIZE 200ML				
SCALE 1:1				
DRN	AP	13.10.17	DRG. NO.	0
CHKD	ST	13.10.17	PSF/5HS13/AGA-01	
APPD	HS	13.10.17		

GENERAL ARRANGEMENT DRAWING FOR SINGLE STAGE AXIALLY SPLIT CASE PUMP 5HS13 WITH 37KW ABB MOTOR IN FRAME SIZE 225SM

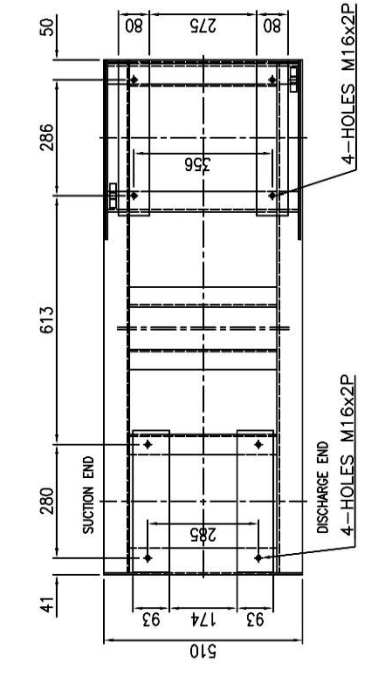
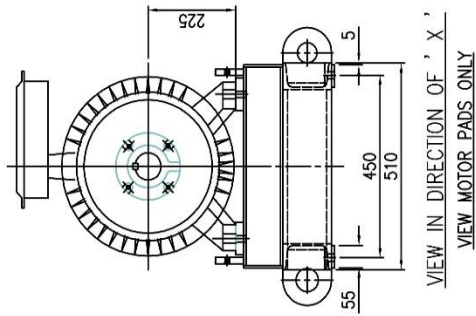
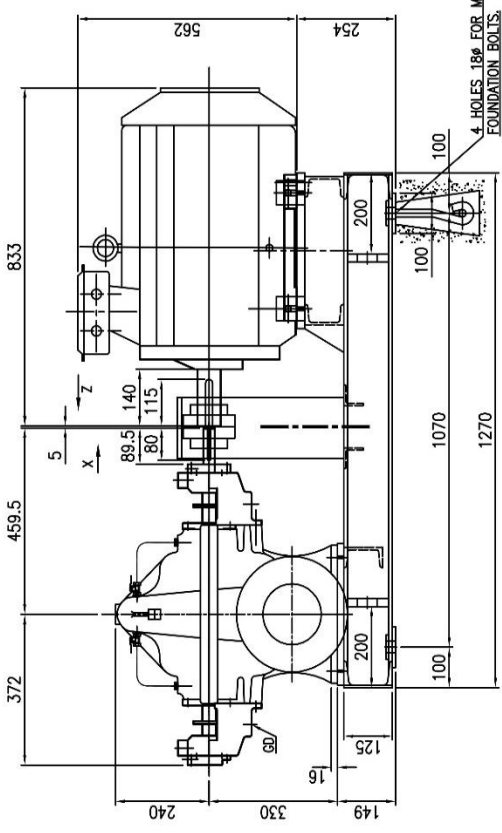


APPROXIMATE WEIGHTS IN KGS.

PUMP	263
MOTOR	310
BED PLATE	98
COUPLING & GAIRD	15
TOTAL WEIGHT	686

MOTOR DETAILS

MAKE	ABB
TYPE	TEFC.
KW	37
FR.SIZE	225SM
SPEED	1480 RPM.



TOP VIEW OF BASE PLATE

CONNECTIONS

ITEM	DESCRIPTION	SIZE (NPT)
GD	GLAND DRAIN	1/2"
CG	COMPOUND GAUGE FOR SUCTION	3/8"
PC	PRESSURE GAUGE FOR DELIVERY	3/8"
AC	AIR COCK	3/8"
PM	PRIMING	3/4"
CDS	CASING DRAIN (SUCTION SIDE)	1/2"
CDD	CASING DRAIN (DELIVERY SIDE)	1/2"

NOTE: GIVE CONNECTIONS DRAILED AND TAPPED ONLY. REFER SPECIALLY REQUESTED BY THE CUSTOMER.

REV	DESCRIPTION	DRN	CHKD	DATE
0				

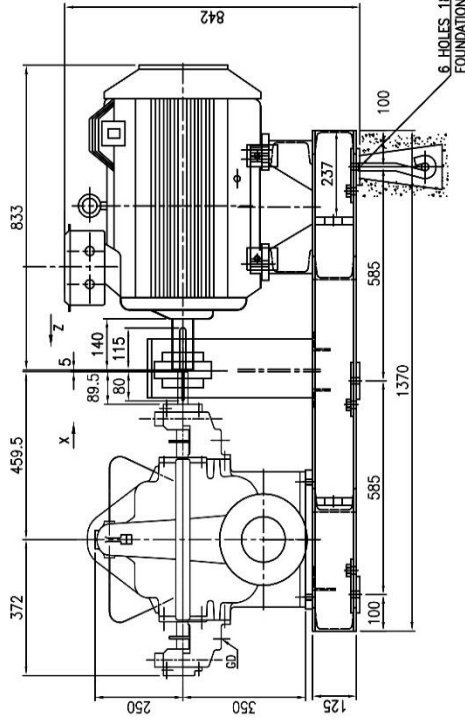
PUMPSENSE

TITLE
GA. DRAWING FOR 5HS13 WITH 37KW
ABB MOTOR FRAME SIZE 225SM

SCALE
1:1

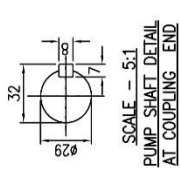
DRN	Ab	13.10.17	DRG. NO.	
CHKD	ST	13.10.17	PSF/5HS13/AGA-01	
APPD	HS	13.10.17		

GENERAL ARRANGEMENT DRAWING FOR SINGLE STAGE AXIALLY SPLIT CASE PUMP 5HS15 WITH 45KW ABB MOTOR IN FRAME SIZE 225SM

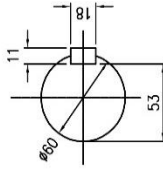


6 HOLES 1/8" FOR M16 FOUNDATION BOLTS.

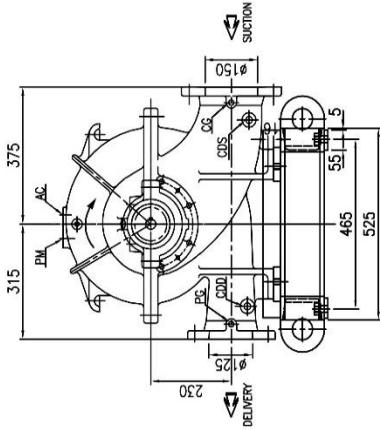
CLOCK-WISE ROTATION
LOOKING FROM DRIVE END



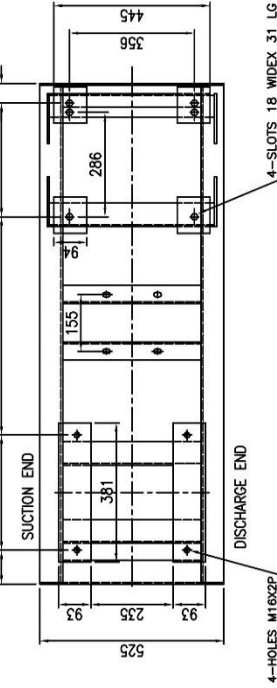
SCALE - 5:1
PUMP SHAFT DETAIL
AT COUPLING END



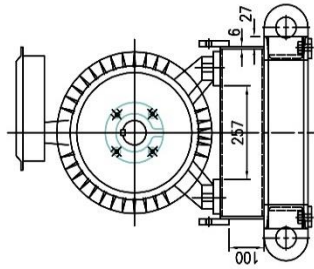
SCALE - 4:1
MOTOR SHAFT DETAIL
AT COUPLING END



VIEW IN DIRECTION OF 'Z'
VIEW WITH PUMP PADS ONLY



TOP VIEW OF BASE PLATE



VIEW IN DIRECTION OF 'X'
VIEW MOTOR PADS ONLY

APPROXIMATE WEIGHTS IN KGS.	
PUMP	247
MOTOR	340
BED PLATE	131
COUPLING & GAIRD	15
TOTAL WEIGHT	733
MOTOR DETAILS	
MAKE	ABB
TYPE	TEFC.
KW	45
FR.SIZE	225SMC4
SPEED	1480 RPM.

CONNECTIONS		
ITEM	DESCRIPTION	SIZE(NPT)
GD	GLAND DRAIN	1/2"
CG	COMPOUND GAUGE FOR SUCTION	3/8"
PG	PRESSURE GAUGE FOR DELIVERY	3/8"
AC	AIR COOK	3/8"
PM	PRIMING	3/4"
CDS	CASING DRAIN(SUCTION SIDE)	3/4"
CDD	CASING DRAIN(DELIVERY SIDE)	3/4"

** GAUGE CONNECTIONS ASSEMBLED AND LABELED ONLY WHEN SPECIFICALLY REQUESTED BY THE CUSTOMER.

S	PN	16	285	240	22	8, #22	---	---	---	---	---	---	---	---	---	---	---	---	---	---
D	PN	16			250	210	8, #18													
REF. TYPE OF FLANGE												SUCTION - #150					DELIVERY - #125			
THK NO. OF P.C.D. MIN OF HOLE												THK NO. SIZE OF HOLE					THK NO. SIZE OF HOLE			
MIN OF HOLE												P.C.D. MIN OF HOLE					MIN OF HOLE			
RF FLANGE												RF FLANGE					RF FLANGE			

PROJECT NAME-		JOB NO.-	
PUMPSENSE			
TITLE GA DRAWING FOR 5HS15 WITH 45KW ABB MOTOR FRAME SIZE 225SM			
DRN	AD	23.02.17	DRG. NO.
CHKD	ST	23.02.17	PSF/5HS15/GA-01
APPD	HS	23.02.17	REV
			0

REV	DESCRIPTION	DRN	CHKD	DATE

SCALE	SCALE
1:1	1:1

PROJECT NAME-	JOB NO.-
PUMPSENSE	

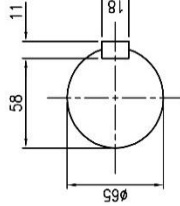
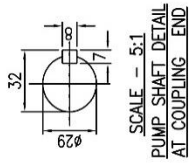
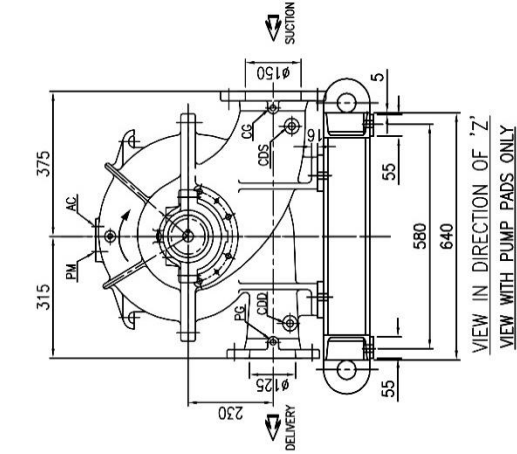
SCALE	SCALE
1:1	1:1

REV	DESCRIPTION	DRN	CHKD	DATE

PROJECT NAME-	JOB NO.-
PUMPSENSE	

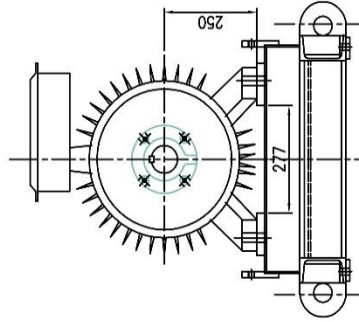
GENERAL ARRANGEMENT DRAWING FOR SINGLE STAGE AXIALLY SPLIT CASE PUMP 5HS15 WITH 55KW ABB MOTOR IN FRAME SIZE 250MB

CLOCK-WISE ROTATION
LOOKING FROM DRIVE END

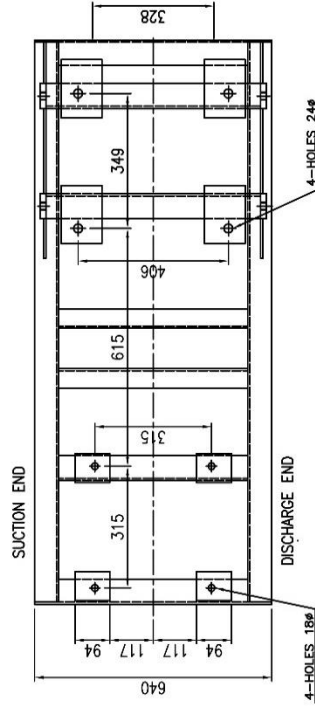
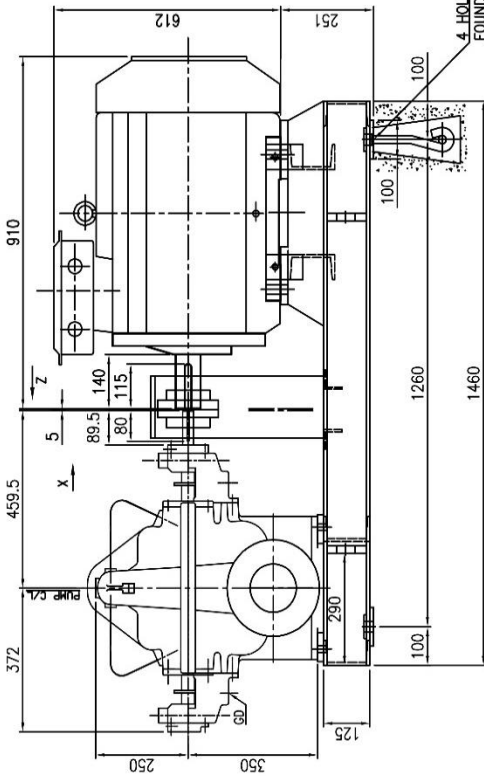


APPROXIMATE WEIGHTS IN KGS.

PUMP	247
MOTOR	435
BED PLATE	115
COUPLING & GAURD	15
TOTAL WEIGHT	812
MOTOR DETAILS	
MAKE	ABB
TYPE	TEFC.
KW	55
FR.SIZE	250MB
SPEED	1480 RPM.



VIEW IN DIRECTION OF ' X '



TOP VIEW OF BASE PLATE

ITEM	DESCRIPTION	SIZE(NPT)
GD	GLAND DRAIN	1/2"
CG	COMPOUND GAUGE FOR SUCTION	3/8"
PC	PRESSURE GAUGE FOR DELIVERY	3/8"
AC	AIR COCK	3/8"
PM	PRIMING	3/4"
CDS	CASING DRAIN(SUCTION SIDE)	3/4"
CDD	CASING DRAIN(DELIVERY SIDE)	3/4"

** GAUGE CONNECTIONS, BOLTED AND WELDED, ONLY
** WELDED CONNECTIONS REQUESTED BY THE CUSTOMER.

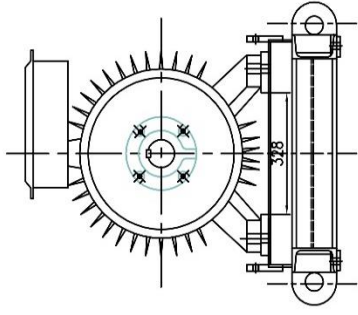
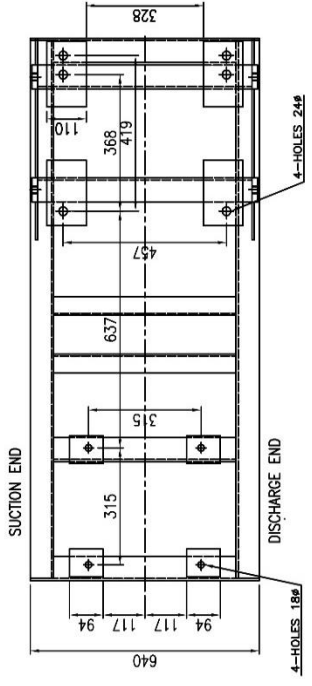
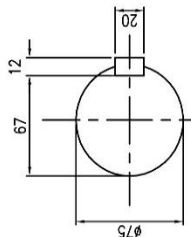
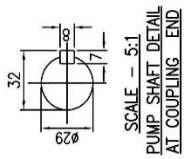
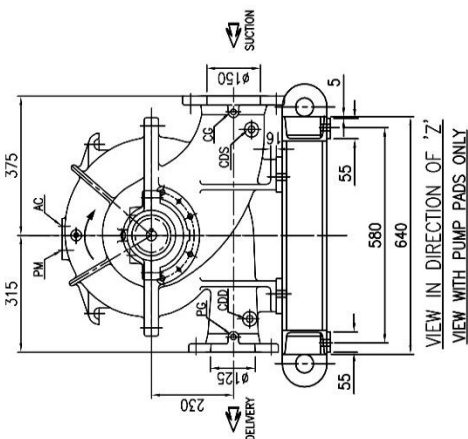
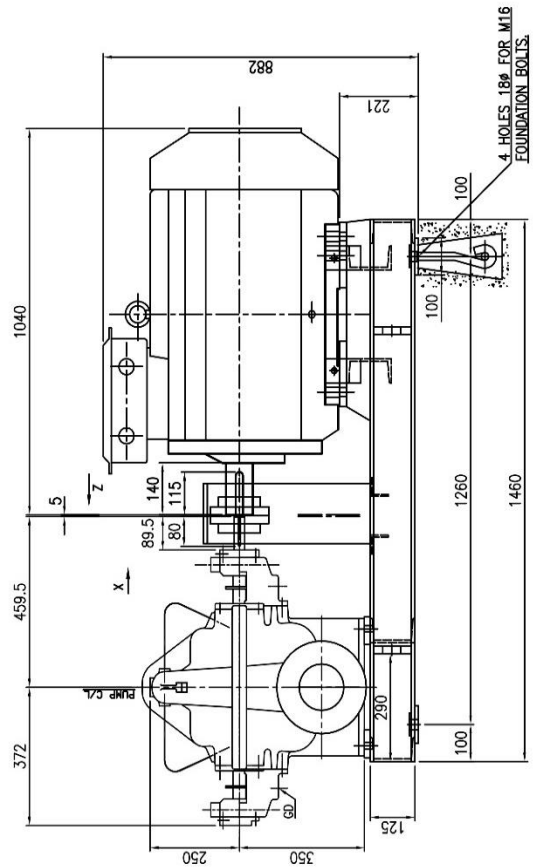
PROJECT NAME-		JOB NO.-	
PUMPSENSE			
TITLE GA DRAWING FOR 5HS15 WITH 55KW ABB MOTOR FRAME SIZE 250MB			
SCALE 1:1			
DRN	AD	10.08.19	DRG. NO.
CHKD	ST	10.08.19	PSF/5HS15/MGA-01
APPD	MS	10.08.19	REV
			0

REV	DESCRIPTION	DRN	CHKD	DATE

S	PN 16	285	240	22	B, Ø22	—	—	—	—
D	PN 16	—	—	250	210	22	B, Ø18	—	—
REF. NO.	TYPE OF FLANGE	O.D.	P.C.D.	THK. NO. MIN OF HOLE	SIZE OF HOLE	REF. THK	REF. THK	REF. THK	REF. THK
SUCTION - Ø150					DELIVERY - Ø125				

GENERAL ARRANGEMENT DRAWING FOR SINGLE STAGE AXIALLY SPLIT CASE PUMP 5HS15 WITH 75KW ABB MOTOR IN FRAME SIZE 280SM

CLOCK-WISE ROTATION
LOOKING FROM DRIVE END



APPROXIMATE WEIGHTS IN KGS.

PUMP	247
MOTOR	610
BED PLATE	115
COUPLING & GAURD	15
TOTAL WEIGHT	987

MOTOR DETAILS

MAKE	ABB
TYPE	TEFC.
KW	75
FR.SIZE	280SMB4
SPEED	1480 RPM.

CONNECTIONS

ITEM	DESCRIPTION	SIZE(NPT)
GD	GLAND DRAIN	1/2"
CG	COMPOUND GAUGE FOR SUCTION	3/8"
PG	PRESSURE GAUGE FOR DELIVERY	3/8"
AC	AIR COCK	3/8"
PM	PRIMING	3/4"
CDS	CASING DRAIN(SUCTION SIDE)	3/4"
ODD	CASING DRAIN(DELIVERY SIDE)	3/4"

** GAUGE CONNECTIONS DRILLED AND TAPPED ONLY
** BOLT SPECIALLY REQUESTED BY THE CUSTOMER

TOP VIEW OF BASE PLATE

VIEW IN DIRECTION OF ' X '
VIEW MOTOR PADS ONLY

VIEW IN DIRECTION OF ' Z '
VIEW WITH PUMP PADS ONLY

PROJECT NAME - PUMPSENSE JOB NO. -

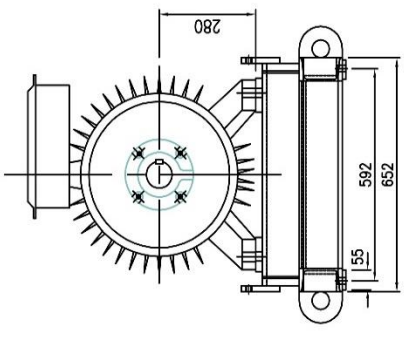
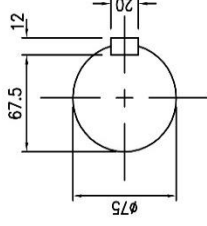
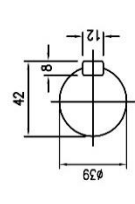
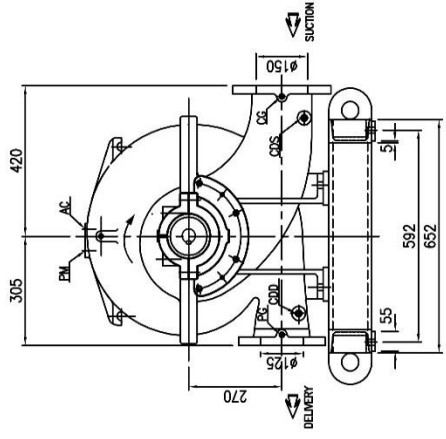
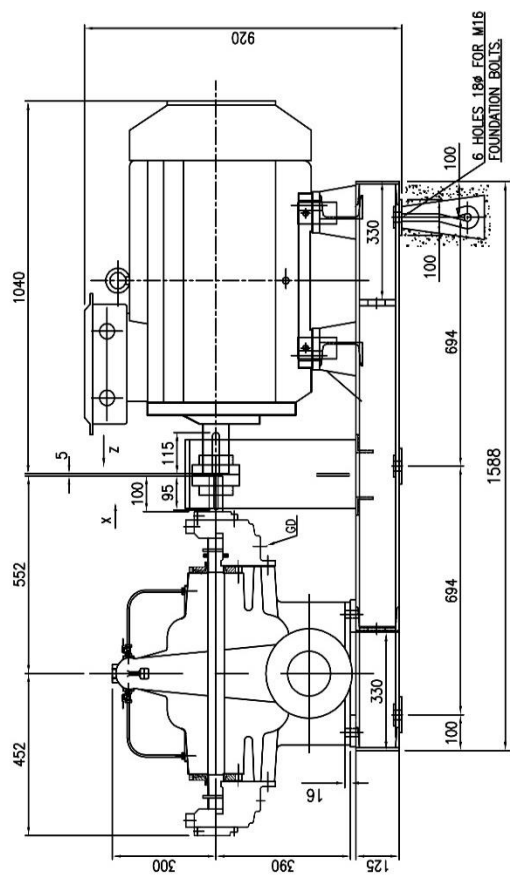
TITLE GA DRAWING FOR 5HS15 WITH 75KW ABB MOTOR FRAME SIZE 280SM SCALE 1:1

DRN	AD	02.08.17	DRG. NO.	PSF/5HS15/MGA-01
CHKD	ST	02.08.17	REV	0
APPD	MS	02.08.17		

REV	DESCRIPTION	DRN	CHKD	DATE
0	DELIVERY - Ø125			
1	SUCTION - Ø150			
2	THK NO. SIZE RF ØRF.THK			
3	MIN OF HOLE RF FLANGE			
4	P.C.D.			
5	O.D.			
6	Ø22			
7	Ø18			
8	Ø18			

GENERAL ARRANGEMENT DRAWING FOR SINGLE STAGE AXIALLY SPLIT CASE PUMP 5HS17 WITH 75KW ABB MOTOR IN FRAME SIZE 280SM

CLOCK-WISE ROTATION
LOOKING FROM DRIVE END



APPROXIMATE WEIGHTS IN KGS.

PUMP	275
MOTOR	610
BED PLATE	115
COUPLING & GAIRD	20
TOTAL WEIGHT	1020

MOTOR DETAILS

MAKE	ABB
TYPE	TEFC.
KW	75
FR SIZE	280SM64
SPEED	1480 RPM.

CONNECTIONS

ITEM	DESCRIPTION	SIZE(NPT)
G1	GLAND DRAIN	1/2"
C3	COMPOUND GAUGE FOR SUCTION	3/8"
P3	PRESSURE GAUGE FOR DELIVERY	3/8"
AC	AIR COCK	3/8"
PM	PRIMING	1/2"
C3S	CASING DRAIN(SUCTION SIDE)	1/2"
C3D	CASING DRAIN(DELIVERY SIDE)	1/2"

FOR MORE INFORMATION, REFER TO THE CONNECTIONS AND WEIGHTS TABLE.

FLANGE TABLE

S	D	REF. TYPE OF NO. FLANGE	O.D. P.C.D. MIN	THK MIN	NO. HOLES	SIZE OF HOLES	INC. OF THK	REF. THK
PN16	285	240	22	8	22	8	18	-
PN16					250	210	22	8

DELIVERY - ø125

REV.	DESCRIPTION	DRN	CHKD	DATE

PUMPSENSE

TITLE: GA DRAWING FOR 5HS17 WITH 75KW ABB MOTOR FRAME SIZE 280SM

SCALE: 1:1

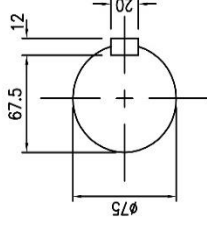
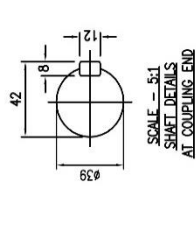
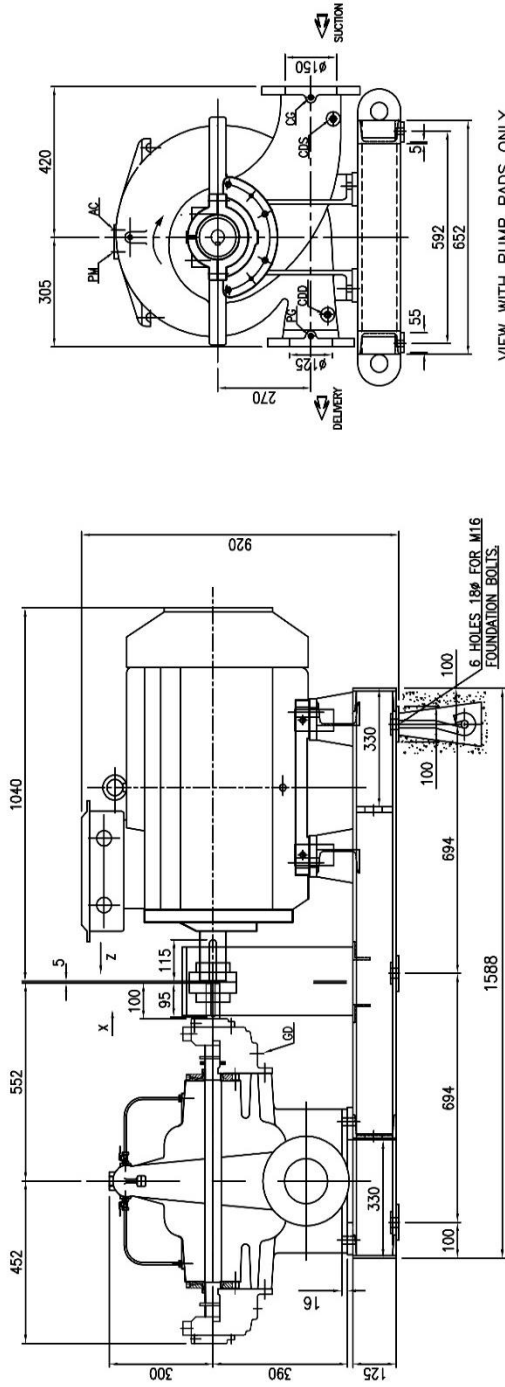
DRN: SD 16.02.17
CHKD: AD 16.02.17
APPD: HS 16.02.17

PSF/5HS17/GA-01/0

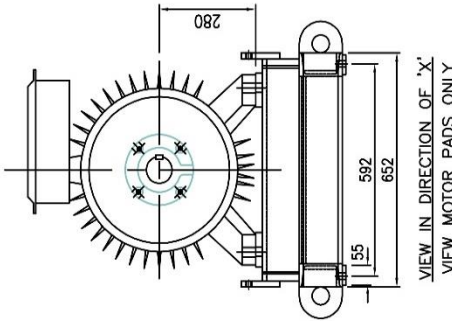
REV: 0

GENERAL ARRANGEMENT DRAWING FOR SINGLE STAGE AXIALLY SPLIT CASE PUMP 5HS17 WITH 90KW ABB MOTOR IN FRAME SIZE 280SM

CLOCK-WISE ROTATION
LOOKING FROM DRIVE END



VIEW WITH PUMP PADS ONLY
VIEW IN DIRECTION OF 'Z'

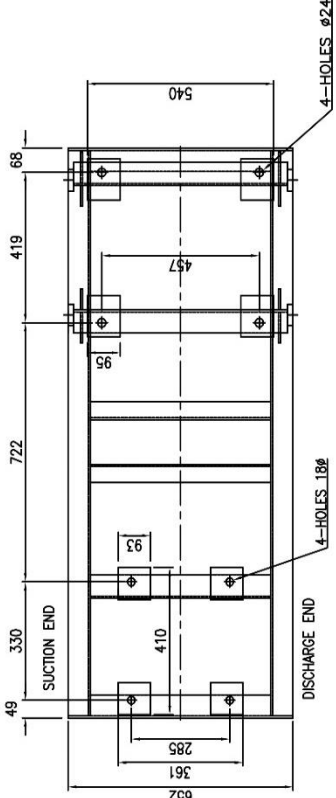


APPROXIMATE WEIGHTS IN KGS.

PUMP	275
MOTOR	680
BED PLATE	115
COUPLING & GAIRD	20
TOTAL WEIGHT	1090

MOTOR DETAILS

MAKE	ABB
TYPE	TEFC.
KW	90
FR-SIZE	280SMC4
SPEED	1480 RPM.



TOP VIEW OF BASE PLATE

CONNECTIONS

ITEM	DESCRIPTION	SIZE(NPT)
GD	GLAND DRAIN	1/2"
CG	COMPOUND GAUGE FOR SUCTION	3/8"
PC	PRESSURE GAUGE FOR DELIVERY	3/8"
AC	AIR COCK	3/8"
PM	PRIMING	1/2"
CDS	CASING DRAIN(SUCTION SIDE)	1/2"
CDD	CASING DRAIN(DELIVERY SIDE)	1/2"

FOR FURTHER INFORMATION, SEE PUMP DRAWING ONLY ITEM

FLANGE TABLE

S	D	REF. NO.	TYPE OF FLANGE	O.D. OF HOLE	P.C.D. OF HOLE	THK. MIN	NO. OF HOLES	SIZE OF HOLES	REF. THK
S	PM16	205	O.D.	240	22	8	22	8, #18	-
D	PM16	280	O.D.	280	210	22	22	8, #18	-

REV.	DESCRIPTION	DRN	CHKD	DATE

PUMPSENSE

TITLE: GA DRAWING FOR 5HS17 WITH 90KW ABB MOTOR FRAME SIZE 280SM

SCALE: 1:1

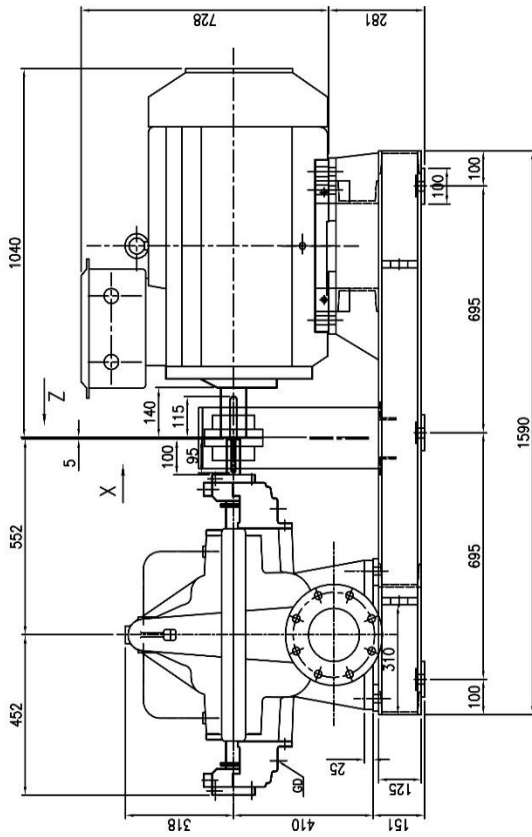
DRN: SD 16.02.17 DRG. NO. PSF/5HS17/GA-01/0

CHKD: AD 16.02.17

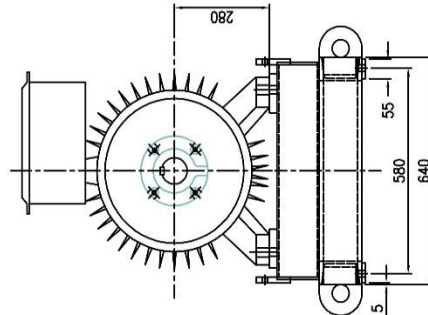
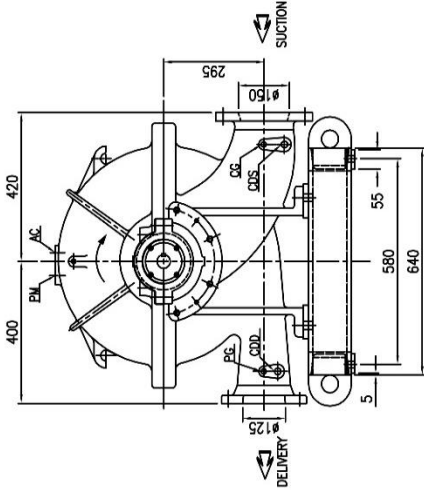
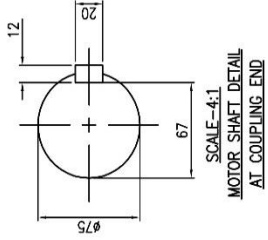
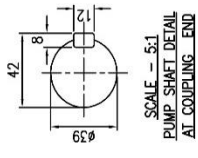
APPD: HS 16.02.17

REV: 0

GENERAL ARRANGEMENT DRAWING FOR SINGLE STAGE AXIALLY SPLIT CASE PUMP 5HS19 WITH 90KW ABB MOTOR IN FRAME SIZE 280SM



LOOKING FROM DRIVE END
CLOCK-WISE ROTATION



TOP VIEW OF BASE PLATE

APPROXIMATE WEIGHTS IN KGS.

PUMP	500
MOTOR	680
BED PLATE	139
COUPLING & GAIRD	20
TOTAL WEIGHT	1339

MOTOR DETAILS

MAKE	ABB
TYPE	TEFC.
KW	90
FR-SIZE	280SM
SPEED	1480 RPM.

ITEM	CONNECTIONS	DESCRIPTION	SIZE(NPT)
GD		GLAND DRAIN	1/2"
CG		COMPOUND GAUGE FOR SUCTION	3/8"
PG		PRESSURE GAUGE FOR DELIVERY	3/8"
AC		AIR COCK	3/8"
PM		PRIMING	3/4"
COS		CASING DRAIN(SUCTION SIDE)	3/4"
CDD		CASING DRAIN(DELIVERY SIDE)	3/4"

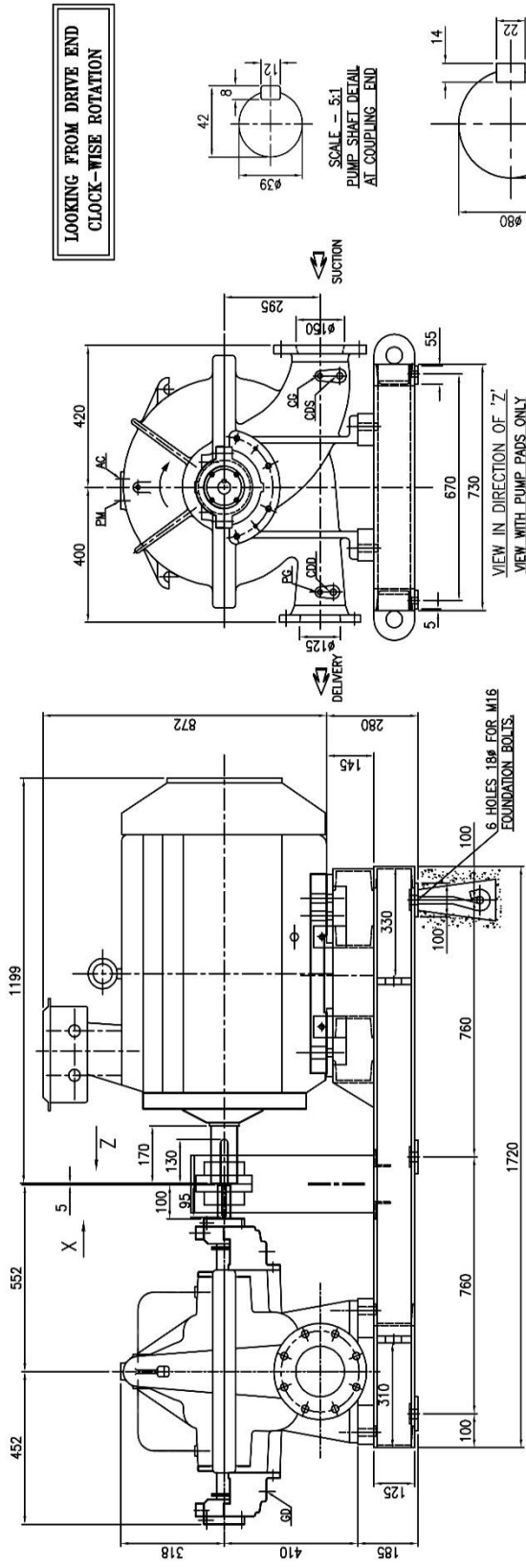
DO NOT REMOVE THESE CONNECTIONS FROM THE MOTOR.

S	PN 16	285	240	22	B, #22	—	—	—	—	—	—	—	—	—	—	—	—	—	—
D	PN 16			250	210	8, #18	22	8, #18	—	—	—	—	—	—	—	—	—	—	—
REF. NO.	TYPE OF FLANGE	O.D. P.C.D.	THK. MIN OF HOLE	RF FLANGE	O.D. P.C.D.	THK. MIN OF HOLE	RF FLANGE	RF FLANGE	RF FLANGE	RF FLANGE	RF FLANGE	RF FLANGE	RF FLANGE	RF FLANGE	RF FLANGE	RF FLANGE	RF FLANGE	RF FLANGE	RF FLANGE

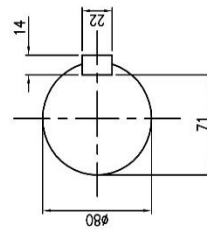
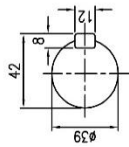
SUCTION - φ150
DELIVERY - φ125

TITLE		PUMPSENSE	
GA DRAWING FOR 5HS19 WITH 90KW ABB MOTOR FRAME SIZE 280SM		SCALE 1:1	
DRN	AD 23.10.17	DRG. NO.	REV 0
CHKD	BT 23.10.17	PSF/5HS19/MGA-01	
APPRD	HS 24.10.17		

GENERAL ARRANGEMENT DRAWING FOR SINGLE STAGE AXIALLY SPLIT CASE PUMP 5HS19 WITH 110KW ABB MOTOR IN FRAME SIZE 315SM



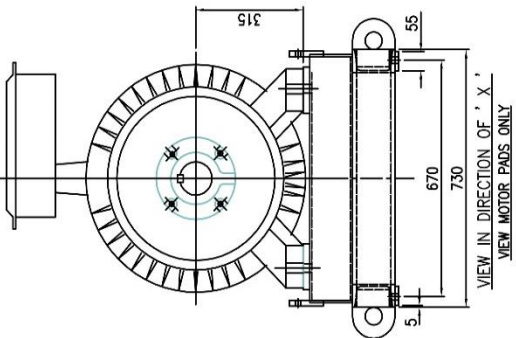
LOOKING FROM DRIVE END
CLOCK-WISE ROTATION



APPROXIMATE WEIGHTS IN KGS.

PUMP	500
MOTOR	905
BED PLATE	171
COUPLING & GAIRD	20
TOTAL WEIGHT	1596

MAKE	ABB
TYPE	IEFC
KW	110
FR.SIZE	315SM
SPEED	1480 RPM.



ITEM	DESCRIPTION	SIZE(NPT)
GD	GLAND DRAIN	1/2"
CG	COMPOUND GAUGE FOR SUCTION	3/8"
PG	PRESSURE GAUGE FOR DELIVERY	3/8"
AC	AIR COCK	3/8"
PM	PRINGS	3/4"
CDS	CASING DRAIN(SUCTION SIDE)	3/4"
DD	CASING DRAIN(DELIVERY SIDE)	3/4"

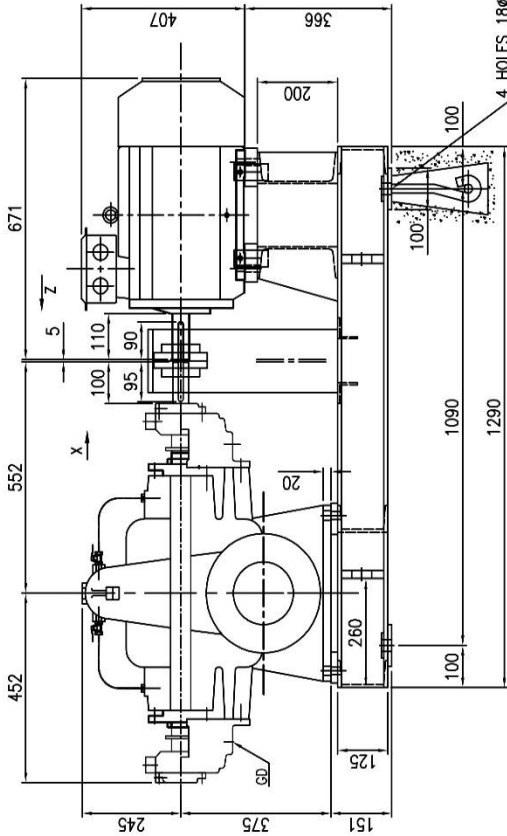
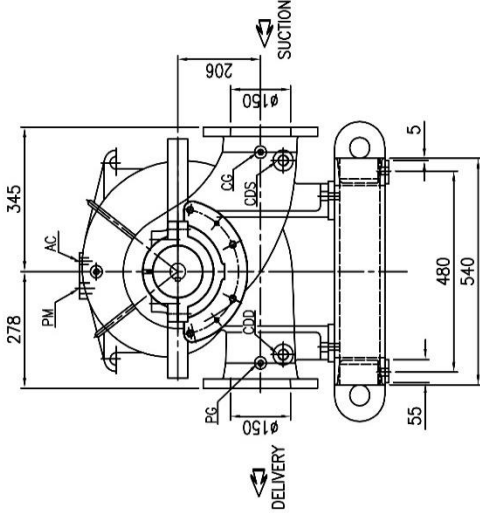
IF MAKE CONNECTIONS ONLY AND REFER ONLY WHEN SPECIFICALLY REFERRED TO IN THE DRAWING.

S	PN 18	285	240	22	8	#22	—	—	—	—	—					
D	PN 16						RF	RF	THK	250	210	22	8	#18	—	—
REF. NO.	TYPE OF FLANGE	O.D.	P.C.D.	MIN OF HOLE	OF HOLE	RF FLANGE	O.D.	P.C.D.	MIN OF HOLE	RF FLANGE	THK	NO. SIZE RF	OF RF	THK	MIN OF HOLE	RF FLANGE
											SUCTION - #150			DELIVERY - #125		

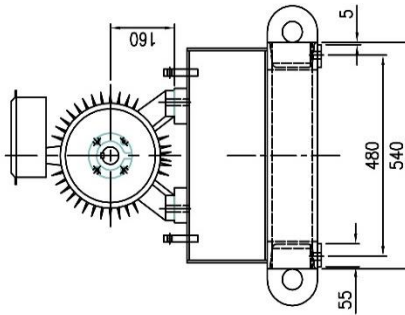
TITLE				PUMPSENSE			
GA DRAWING FOR 5HS19 WITH 110KW ABB MOTOR FRAME SIZE 315SM				SCALE			
DRN	AD	23.10.17	DRG. NO.	1:1	REV		0
CHKD	ST	23.10.17	PSF/5HS19/MGA-01		REV		0
APPD	HS	24.10.17			REV		0

GENERAL ARRANGEMENT DRAWING FOR SINGLE STAGE AXIALLY SPLIT CASE PUMP 6HS10 WITH 15KW ABB MOTOR IN FRAME SIZE 160ML

LOOKING FROM DRIVE END
CLOCK-WISE ROTATION



4 HOLES 1/8" FOR M16 FOUNDATION BOLTS.

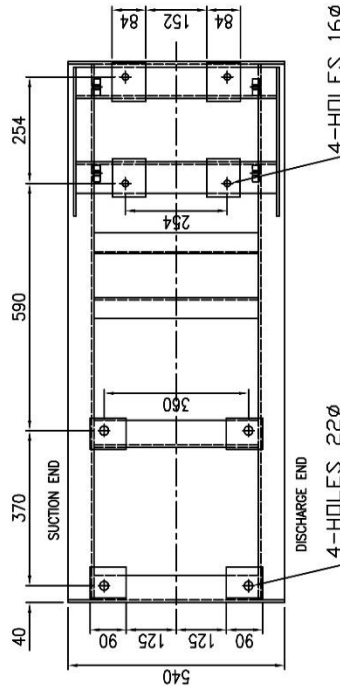


SCALE-4:1
MOTOR SHAFT DETAIL
AT COUPLING END

APPROXIMATE WEIGHTS IN KGS.

PUMP	334
MOTOR	150
BED PLATE	109
COUPLING & GAURD	15
TOTAL WEIGHT	608
MOTOR DETAILS	
MAKE	ABB
TYPE	TEFC.
KW	15
FR SIZE	160ML
SPEED	1480 RPM.

TOP VIEW OF BASE PLATE



CONNECTIONS		
ITEM	DESCRIPTION	SIZE (NPT)
GD	GLAND DRAIN	1/2"
CG	COMPOUND GAUGE FOR SUCTION	3/8"
PC	PRESSURE GAUGE FOR DELIVERY	3/8"
AC	AIR COCK	3/8"
PM	PRIMING	3/4"
CDS	CASING DRAIN(SUCTION SIDE)	3/4"
CDD	CASING DRAIN(DELIVERY SIDE)	3/4"

* DIMENSIONS SHOWN IN PARENTHESIS ARE RECOMMENDED

REV	DESCRIPTION	DRN	CHKD	DATE
0				
1				

TITLE				
GA DRAWING FOR 6HS10 WITH 15KW ABB MOTOR FRAME SIZE 160ML				
SCALE 1:1				
DRN	AD	06.11.17	DRG. NO.	
CHKD	ST	06.11.17	PSF/6HS10/MGA-01	
APPD	HS	06.11.17		

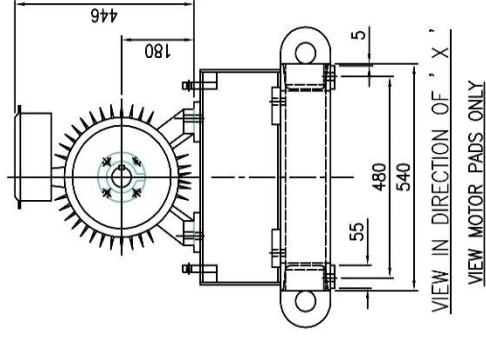
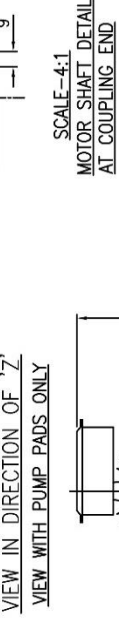
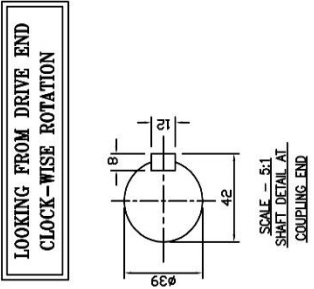
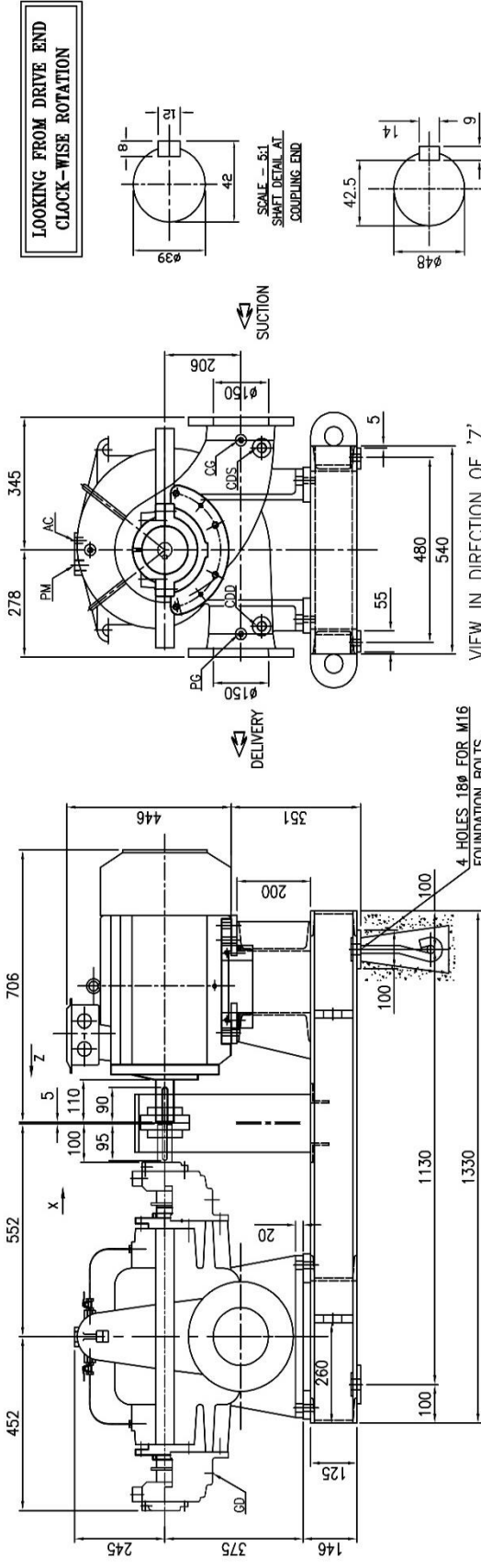
S	PN 16	285	240	22	8, #22	-	-	-	-	-
D	PN 16	-	-	285	240	22	8, #22	-	-	-
REF.	TYPE OF FLANGE	O.D.	P.C.D.	THK	NO. SIZE	RF	THK	RF	THK	RF
NO.	NO.	MIN OF HOLE	MIN OF HOLE	MIN OF HOLE	P.C.D.	MIN OF HOLE	RF	FLANGE	RF	FLANGE

SUCTION - 150					DELIVERY - 150				
---------------	--	--	--	--	----------------	--	--	--	--

PUMPSENSE				
-----------	--	--	--	--

PUMPSENSE				
-----------	--	--	--	--

GENERAL ARRANGEMENT DRAWING FOR SINGLE STAGE AXIALLY SPLIT CASE PUMP 6HS10 WITH 18.5KW ABB MOTOR IN FRAME SIZE 180ML



APPROXIMATE WEIGHTS IN KGS.

PUMP	334
MOTOR	175
BED PLATE	108
COUPLING & GAUARD	15
TOTAL WEIGHT	632

MOTOR DETAILS

MAKE	ABB
TYPE	TEFC.
KW	18.5
FR.SIZE	180ML
SPEED	1480 RPM.

CONNECTIONS

ITEM	DESCRIPTION	SIZE(NPT)
GD	GLAND DRAIN	1/2"
CG	COMPOUND GAUGE FOR SUCTION	3/8"
PG	PRESSURE GAUGE FOR DELIVERY	3/8"
AC	AIR COCK	3/8"
PM	PRIMING	3/4"
CDS	CASING DRAIN(SUCTION SIDE)	3/4"
DD	CASING DRAIN(DELIVERY SIDE)	3/4"

** CASE CONNECTIONS OBLIGED AND WELDED ONLY WHEN SPECIALLY REQUESTED BY THE CUSTOMER.

S	PN	16	285	240	22	8, ϕ22	-	-	-	-	-	-	-	-	-	DELIVERY - 150
D	PN	16	O.D.	P.C.D.	MIN OF	HOLE	RF	THK	RF	THK	O.D.	P.C.D.	MIN OF	HOLE	RF	THK
REF.	TYPE OF FLANGE		O.D.		P.C.D.		MIN OF HOLE		RF FLANGE		O.D.		P.C.D.		MIN OF HOLE	
NO.			SUCTION - 150												DELIVERY - 150	

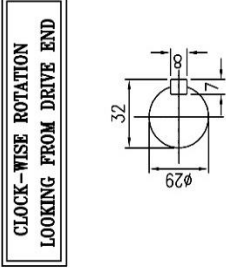
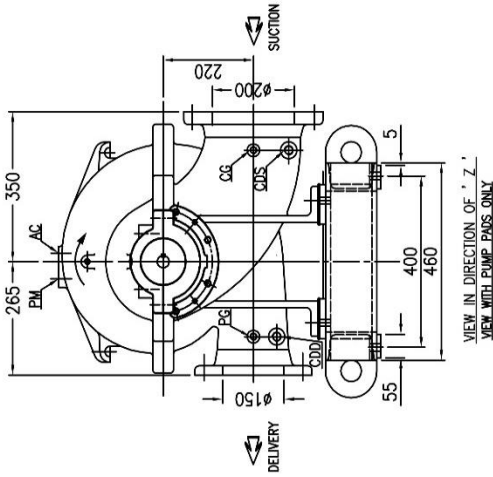
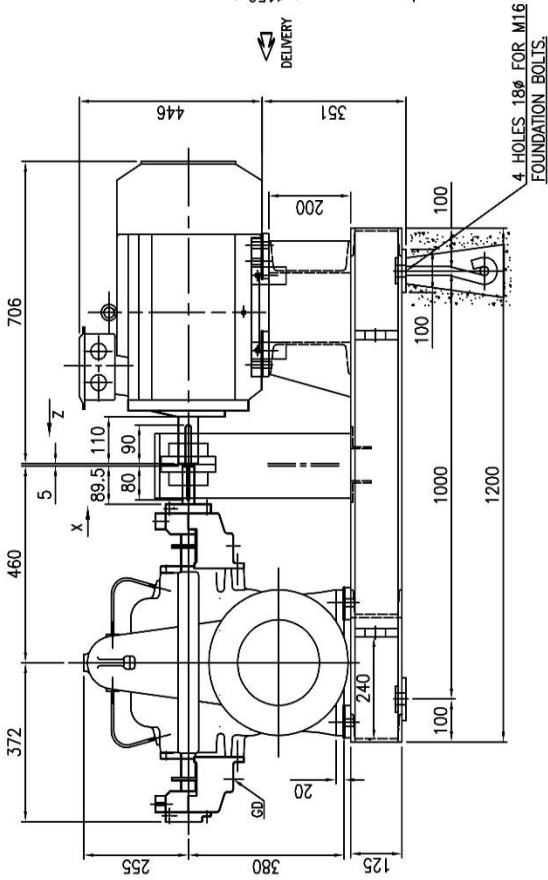
REV	DESCRIPTION	DRN	CHKD	DATE
0				

PUMPSENSE

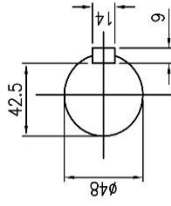
TITLE
GA DRAWING FOR 6HS10 WITH 18.5KW
ABB MOTOR FRAME SIZE 180ML

DRN	AD	08.11.17	DRG. NO.	PSF/6HS10/MGA-01
CHKD	ST	08.11.17	REV	0
APPD	HS	08.11.17	SCALE	1:1

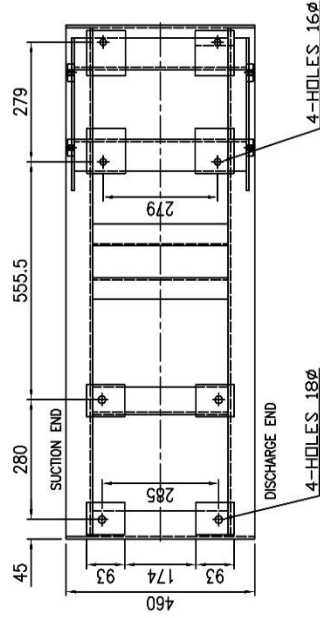
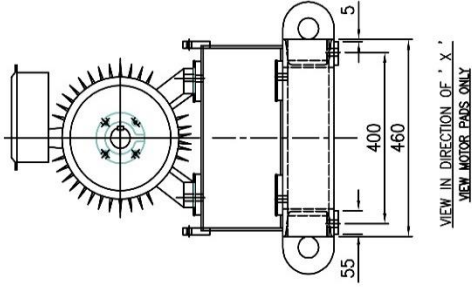
GENERAL ARRANGEMENT DRAWING FOR SINGLE STAGE AXIALLY SPLIT CASE PUMP 6HS12 WITH 22KW ABB MOTOR IN FRAME SIZE 180ML



SCALE - 5:1
PUMP SHAFT DETAIL
AT COUPLING END



SCALE - 4:1
MOTOR SHAFT DETAIL
AT COUPLING END



TOP VIEW OF BASE PLATE

APPROXIMATE WEIGHTS IN LBS.	
PUMP	265
MOTOR	185
BED PLATE	96
COUPLING & GAIRD	15
TOTAL WEIGHT	561
MOTOR DETAILS	
MAKE	ABB
TYPE	TEFC.
KW	22
FR-SIZE	180ML
SPEED	1480 RPM.

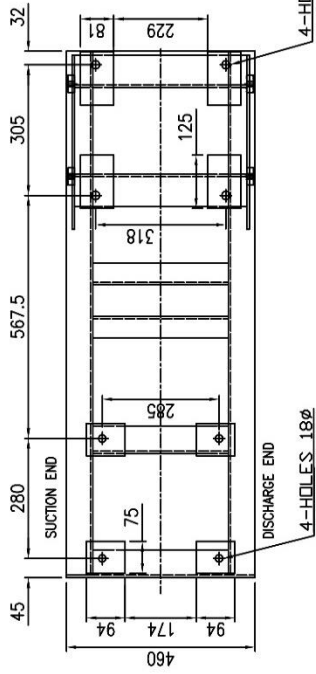
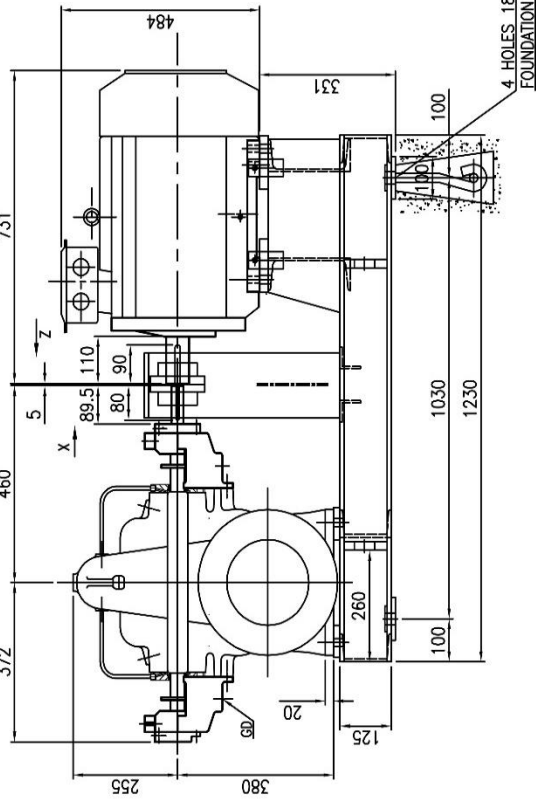
CONNECTIONS		
ITEM	DESCRIPTION	SIZE (NPT)
GD	GLAND DRAIN	1/2"
CC	COMPOUND GAUGE FOR SUCTION	3/8"
PG	PRESSURE GAUGE FOR DELIVERY	3/8"
AC	AIR COCK	3/8"
PM	PRIMING	1/2"
CDS	CASING DRAIN (SUCTION SIDE)	1/2"
CDD	CASING DRAIN (DELIVERY SIDE)	1/2"

** DRAINAGE CONNECTIONS SHOWN AND LISTED ONLY WHEN SPECIFICALLY REQUESTED BY THE CUSTOMER.

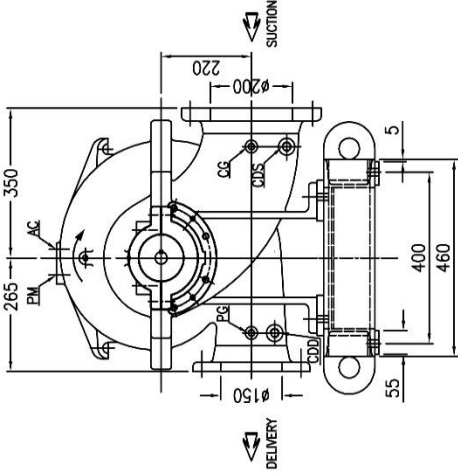
S	PN 16	340	295	24	12, ϕ 22					DELIVERY - ϕ 150
D	PN 16				285	240	22	ϕ , ϕ 22		
REF. TYPE OF NO. FLANGE		O.D.	P.C.D.	THK. NO. MIN. OF HOLE	RF	RF	RF	RF	RF	
REF. TYPE OF NO. FLANGE		O.D.	P.C.D.	THK. NO. MIN. OF HOLE	RF	RF	RF	RF	RF	

TITLE		GA DRAWING FOR 6HS12 WITH 22KW ABB MOTOR FRAME SIZE 180ML			SCALE	1:1
DRN	AD	31.07.18	DRG. NO.		REV	0
CHKD	TK	31.07.18	PSF/6HS12/AGA-01			
APPD	HS	31.07.18				

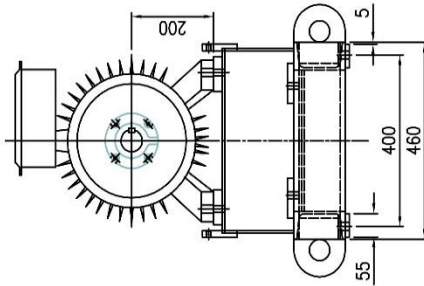
GENERAL ARRANGEMENT DRAWING FOR SINGLE STAGE AXIALLY SPLIT CASE PUMP 6HS12 WITH 30KW ABB MOTOR IN FRAME SIZE 200ML



TOP VIEW OF BASE PLATE

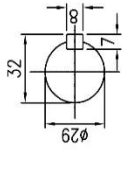


VIEW IN DIRECTION OF 'Z'
VIEW WITH PUMP PADS ONLY

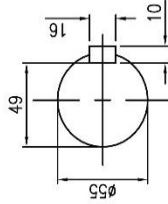


VIEW IN DIRECTION OF 'X'
VIEW MOTOR PADS ONLY

LOOKING FROM DRIVE END
CLOCK-WISE ROTATION



SCALE - 5:1
PUMP SHAFT DETAIL
AT COUPLING END



SCALE - 4:1
MOTOR SHAFT DETAIL
AT COUPLING END

APPROXIMATE WEIGHTS IN KGS.

PUMP	285
MOTOR	245
BED PLATE	98
COUPLING & GAIRD	15
TOTAL WEIGHT	623

MOTOR DETAILS

MAKE	ABB
TYPE	TEFC.
KW	30
FR-SIZE	200ML
SPEED	1480 RPM.

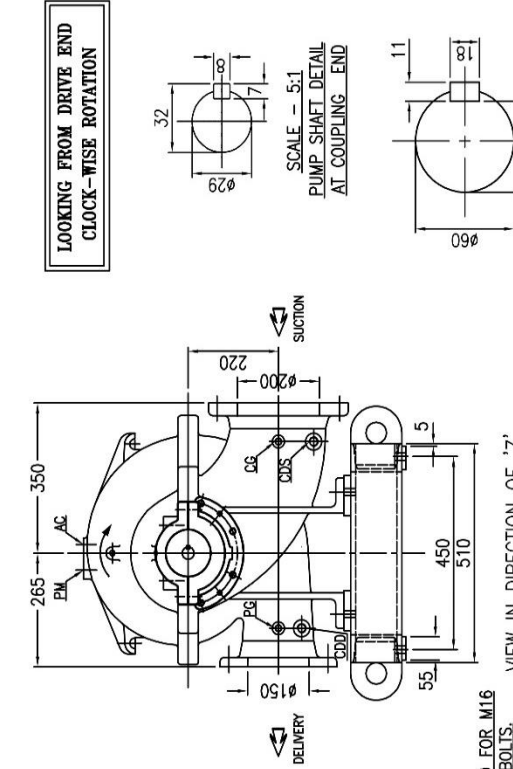
CONNECTIONS		DESCRIPTION	SIZE(NPT)
GD	GLAND DRAIN		1/2"
CC	COMPOUND GAUGE FOR SUCTION		3/8"
PG	PRESSURE GAUGE FOR DELIVERY		3/8"
AC	AIR COCK		3/8"
PM	PRIMING		1/2"
CDS	CASING DRAIN(SUCTION SIDE)		1/2"
CDD	CASING DRAIN(DELIVERY SIDE)		1/2"

ALL GAUGE CONNECTIONS SHOWN AND LISTED ONLY WHEN SPECIALLY REQUESTED BY THE CUSTOMER.

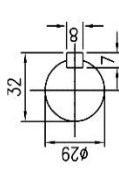
S	PN 16	340	295	24	12, Ø22	—	—	—
D	PN 16	285	240	22	8, Ø22	—	—	—
REF. TYPE OF NO. FLANGE	O.D. P.C.D. MIN OF HOLE	THK NO. SIZE OF RF THK MIN OF HOLE	O.D. P.C.D. MIN OF HOLE	RF FLANGE	RF FLANGE	RF FLANGE	RF FLANGE	RF FLANGE
SUCTION - Ø200					DELIVERY - Ø150			

TITLE		GA DRAWING FOR 6HS12 WITH 30KW ABB MOTOR FRAME SIZE 200ML		SCALE	1:1
DRN	AD	23.10.17	DRG. NO.	REV	0
CHKD	ST	23.10.17	PSF/6HS12/MGA-01		
APPD	HS	24.10.17			
PUMPSENSE					

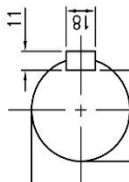
GENERAL ARRANGEMENT DRAWING FOR SINGLE STAGE AXIALLY SPLIT CASE PUMP 6HS12 WITH 37KW ABB MOTOR IN FRAME SIZE 225SM



LOOKING FROM DRIVE END
CLOCK-WISE ROTATION

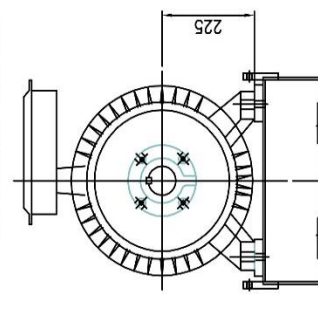


SCALE - 5:1
PUMP SHAFT DETAIL
AT COUPLING END

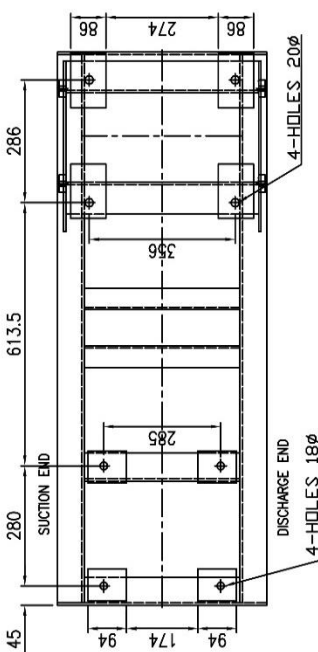
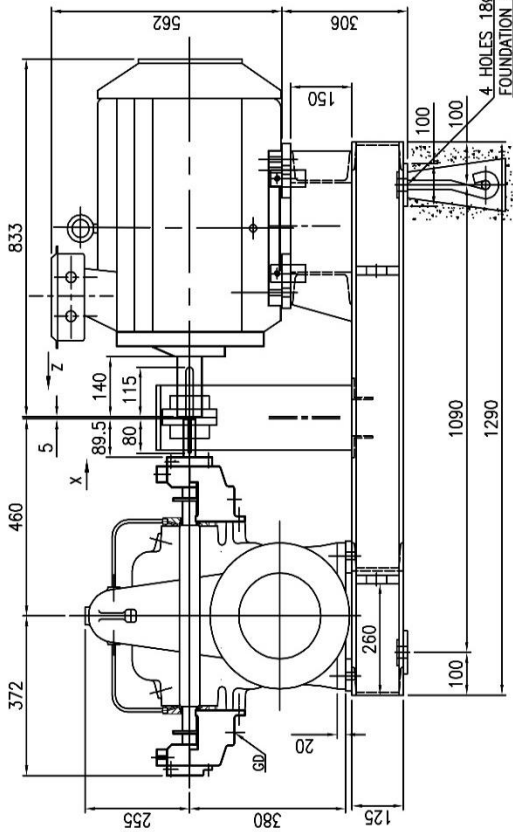


SCALE-4:1
MOTOR SHAFT DETAIL
AT COUPLING END

VIEW IN DIRECTION OF 'Z',
VIEW WITH PUMP PADS ONLY



VIEW IN DIRECTION OF 'X',
VIEW MOTOR PADS ONLY



TOP VIEW OF BASE PLATE

APPROXIMATE WEIGHTS IN Kgs.

PUMP	265
MOTOR	310
BED PLATE	100
COUPLING & GAURO	15
TOTAL WEIGHT	680

MOTOR DETAILS

MAKE	ABB
TYPE	TEFC.
KW	37
FR.SIZE	225SMB4
SPEED	1480 RPM.

CONNECTIONS	
ITEM	DESCRIPTION
GD	GLAND DRAIN
CC	COMPOUND GAUGE FOR SUCTION
PG	PRESSURE GAUGE FOR DELIVERY
AC	AIR COCK
PM	PRIMING
CDS	CASING DRAIN(SUCTION SIDE)
CDD	CASING DRAIN(DELIVERY SIDE)

1/2" 3/8" 3/8" 3/8" 1/2" 1/2"

S	PN 16	340	295	24	12, ø22	—	—	—	—	—
D	PN 16	—	—	285	240	22	ø, ø22	—	—	—
REF. NO.	TYPE OF FLANGE	O.D.	P.C.D.	THK. MIN	NO. OF HOLES	SIZE OF HOLE	REF. THK	NO.	REF. THK	RF FLANGE
SUCTION - ø200										
DELIVERY - ø150										

CONNECTIONS	
ITEM	DESCRIPTION
GD	GLAND DRAIN
CC	COMPOUND GAUGE FOR SUCTION
PG	PRESSURE GAUGE FOR DELIVERY
AC	AIR COCK
PM	PRIMING
CDS	CASING DRAIN(SUCTION SIDE)
CDD	CASING DRAIN(DELIVERY SIDE)

1/2" 3/8" 3/8" 3/8" 1/2" 1/2"

PUMPSENSE

TITLE

GA DRAWING FOR 6HS12 WITH 37KW
ABB MOTOR FRAME SIZE 225SM

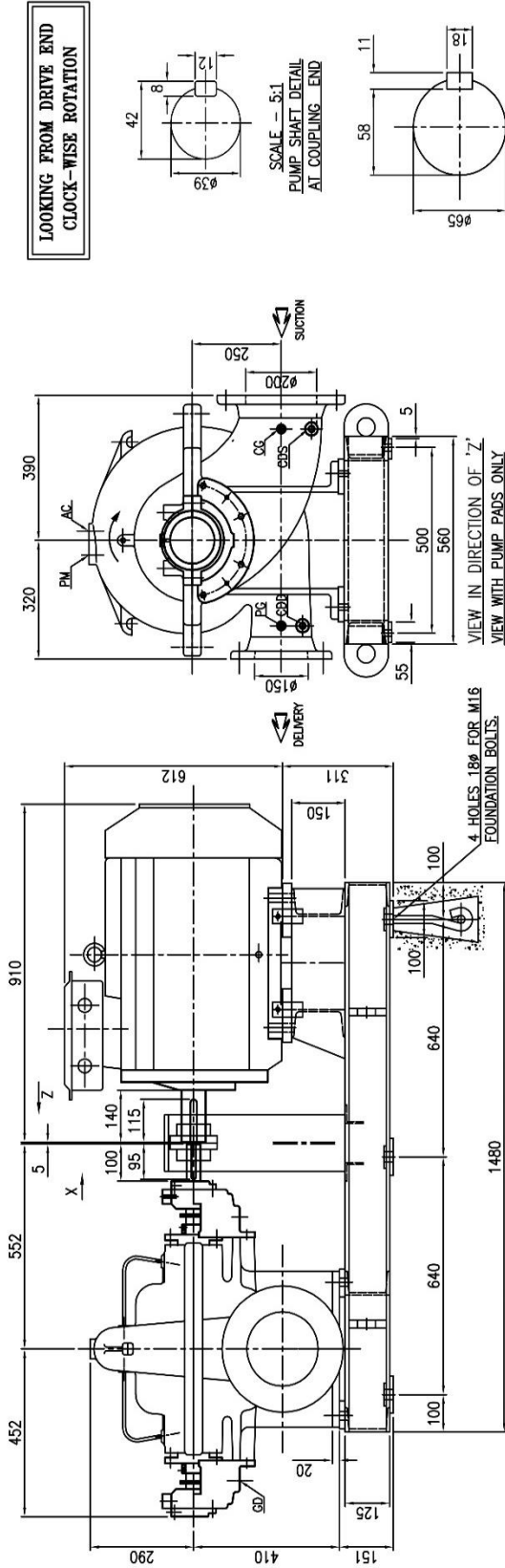
DRN no 23.10.17
CHKD BY 23.10.17
APPD BY 24.10.17

DRG. NO. PSF/6HS12/MGA-01

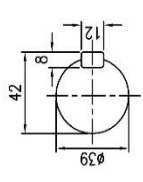
SCALE 1:1

REV 0

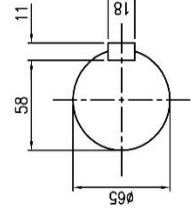
GENERAL ARRANGEMENT DRAWING FOR SINGLE STAGE AXIALLY SPLIT CASE PUMP 6HS14 WITH 55KW ABB MOTOR IN FRAME SIZE 250MB



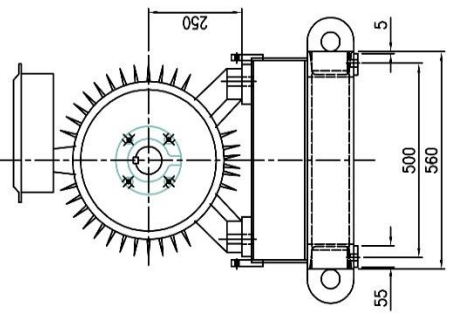
LOOKING FROM DRIVE END
CLOCK-WISE ROTATION



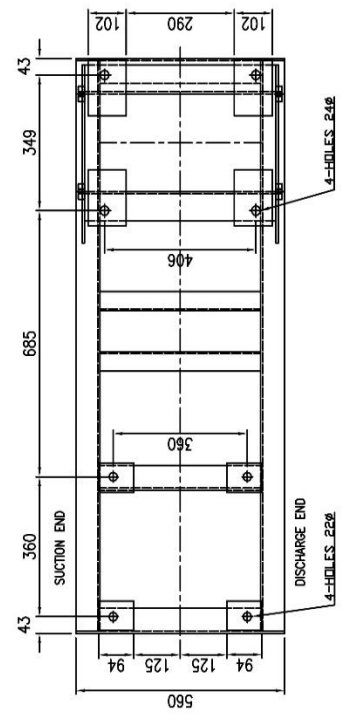
SCALE - 5:1
PUMP SHAFT DETAIL
AT COUPLING END



SCALE - 4:1
MOTOR SHAFT DETAIL AT
COUPLING END



VIEW IN DIRECTION OF 'X'
VIEW MOTOR PADS ONLY



TOP VIEW OF BASE PLATE

APPROXIMATE WEIGHTS IN KGS.	
PUMP	415
MOTOR	435
BED PLATE	116
COUPLING & GAIRD	15
TOTAL WEIGHT	981

MOTOR DETAILS	
MAKE	ABB
TYPE	TEFC.
KW	55
FR.SIZE	250MB4
SPEED	1480 RPM.

CONNECTIONS		SIZE(NPT)
ITEM	DESCRIPTION	SIZE(NPT)
GD	GLAND DRAIN	1/2"
CG	COMPOUND GAUGE FOR SUCTION	3/8"
PG	PRESSURE GAUGE FOR DELIVERY	3/8"
AC	AIR COCK	3/8"
PM	PRIMING	3/4"
CDS	CASING DRAIN(SUCTION SIDE)	3/4"
CDD	CASING DRAIN(DELIVERY SIDE)	3/4"

* SUCTION CONNECTIONS SHALL BE WELDED ONLY
** DELIVERY CONNECTIONS SHALL BE WELDED OR FLANGED

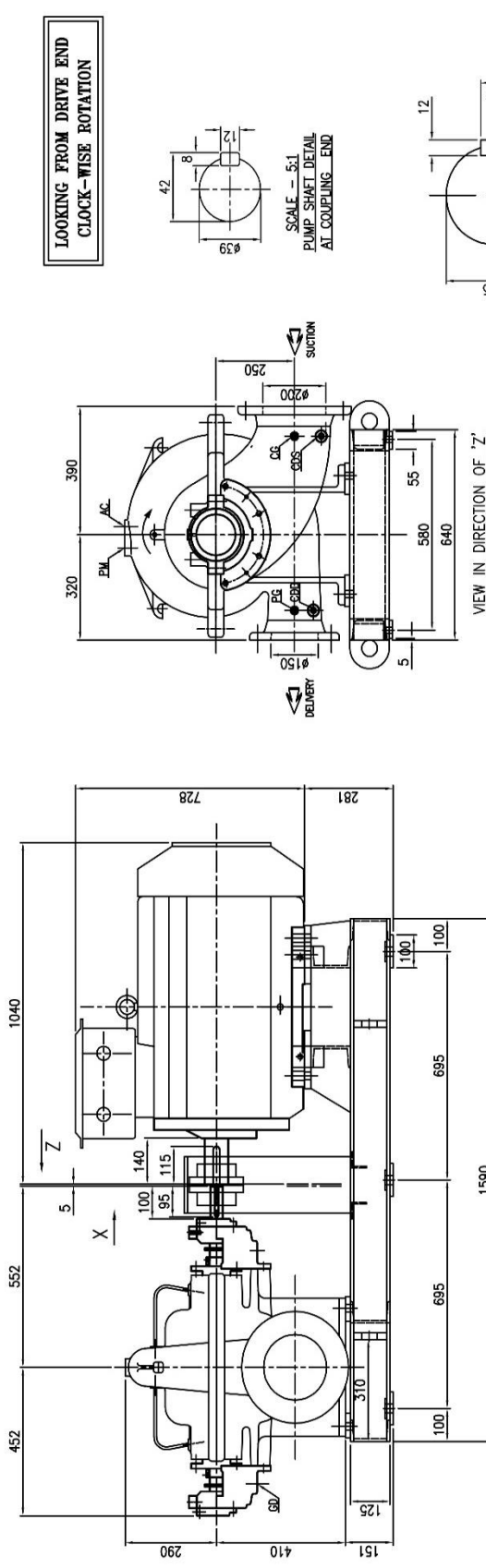
S	PN 16	340	295	24	12, Ø22	-	285	240	22	8, Ø22	-	-
D	PN 16											
REF. NO.	TYPE OF FLANGE	O.D.	P.C.D.	THK. NO.	SIZE OF HOLE	RF. THK	O.D.	P.C.D.	MIN OF HOLE	RF. THK	RF. THK	RF. THK

REV	DESCRIPTION	DRN	CHKD	DATE
0				

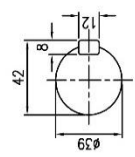
PUMPSENSE	
TITLE	GA. DRAWING FOR 6HS14 WITH 55KW ABB MOTOR FRAME SIZE 250MB
SCALE	1:1

DRN	AD	23.11.17	DRG. NO.
CHKD	ST	23.11.17	PSF/BHS14/AGA-01
APPD	HS	24.11.17	

GENERAL ARRANGEMENT DRAWING FOR SINGLE STAGE AXIALLY SPLIT CASE PUMP 6HS14 WITH 75KW ABB MOTOR IN FRAME SIZE 280SM



LOOKING FROM DRIVE END
CLOCK-WISE ROTATION



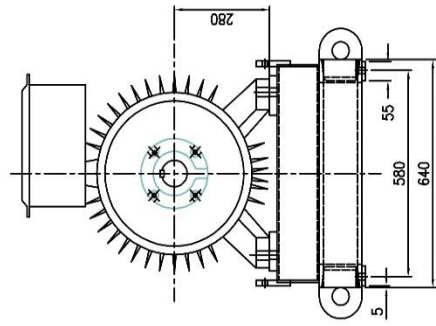
SCALE - 5:1
PUMP SHAFT DETAIL
AT COUPLING END



SCALE - 4:1
MOTOR SHAFT DETAIL
AT COUPLING END

VIEW IN DIRECTION OF 'Z'
VIEW WITH PUMP PADS ONLY

VIEW IN DIRECTION OF 'X'
VIEW MOTOR PADS ONLY



TOP VIEW OF BASE PLATE

APPROXIMATE WEIGHTS IN KGS.

PUMP	415
MOTOR	610
BED PLATE	139
COUPLING & GAIRD	20
TOTAL WEIGHT	1184

MOTOR DETAILS	
MAKE	ABB
TYPE	TIEC.
KW	75
FR-SIZE	280SM
SPEED	1480 RPM.

ITEM	CONNECTIONS	DESCRIPTION	SIZE(NPT)
GD		GLAND DRAIN	1/2"
CG		COMPOUND GAUGE FOR SUCTION	3/8"
PG		PRESSURE GAUGE FOR DELIVERY	3/8"
AC		AIR COCK	3/8"
PM		PRIMING	3/4"
CDS		CASING DRAIN(SUCTION SIDE)	3/4"
DD		CASING DRAIN(DELIVERY SIDE)	3/4"

NOTE: GAGE CONNECTIONS DRILLED AND TAPPED ONLY
HOLE PATTERNALY FORMED AT THE FACTORY

REV	DESCRIPTION	DRN	CHKD	DATE	APPD	IS	DRG. NO.	SCALE
0							PSF/6HS14/MGA-01	1:1

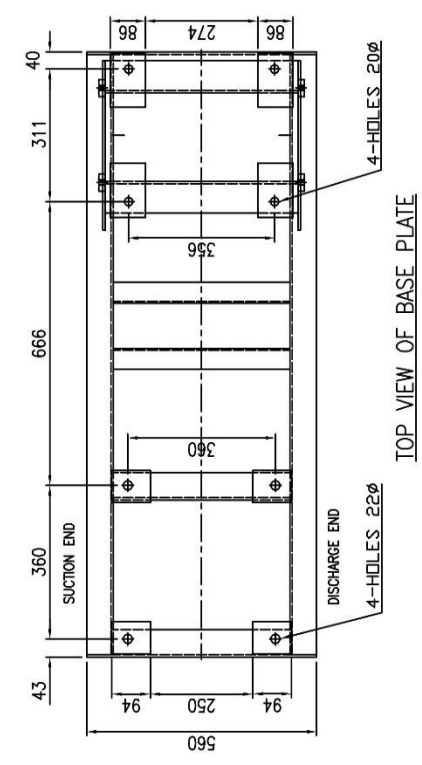
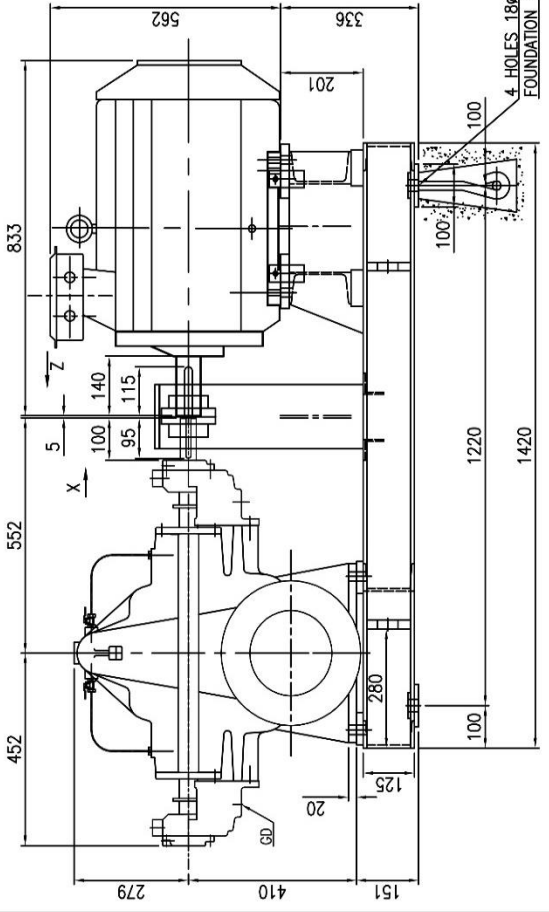
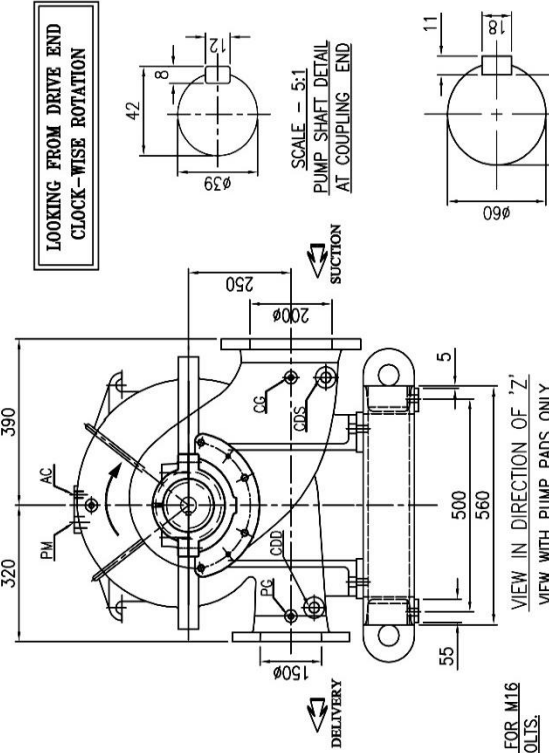
REV	DESCRIPTION	DRN	CHKD	DATE	APPD	IS	DRG. NO.	SCALE
0							PSF/6HS14/MGA-01	1:1

REV	DESCRIPTION	DRN	CHKD	DATE	APPD	IS	DRG. NO.	SCALE
0							PSF/6HS14/MGA-01	1:1

ITEM	DESCRIPTION	SIZE(NPT)
GD	GLAND DRAIN	1/2"
CG	COMPOUND GAUGE FOR SUCTION	3/8"
PG	PRESSURE GAUGE FOR DELIVERY	3/8"
AC	AIR COCK	3/8"
PM	PRIMING	3/4"
CDS	CASING DRAIN(SUCTION SIDE)	3/4"
DD	CASING DRAIN(DELIVERY SIDE)	3/4"

NOTE: GAGE CONNECTIONS DRILLED AND TAPPED ONLY
HOLE PATTERNALY FORMED AT THE FACTORY

GENERAL ARRANGEMENT DRAWING FOR SINGLE STAGE AXIALLY SPLIT CASE PUMP 6HS15 WITH 45KW ABB MOTOR IN FRAME SIZE 225SM



ITEM	DESCRIPTION	SIZE(NPT)
GD	GLAND DRAIN	1/2"
CG	COMPOUND GAUGE FOR SUCTION	3/8"
PG	PRESSURE GAUGE FOR DELIVERY	3/8"
AC	AIR COCK	3/8"
PM	PRIMING	3/4"
CDS	CASING DRAIN(SUCTION SIDE)	3/4"
CDD	CASING DRAIN(DELIVERY SIDE)	3/4"

APPROXIMATE WEIGHTS IN Kgs.	
PUMP	409
MOTOR	340
BED PLATE	112
COUPLING & GAUDD	15
TOTAL WEIGHT	876

MOTOR DETAILS	
MAKE	ABB
TYPE	TEFC.
KW	45
FR.SIZE	225SMC4
SPEED	1480 RPM.

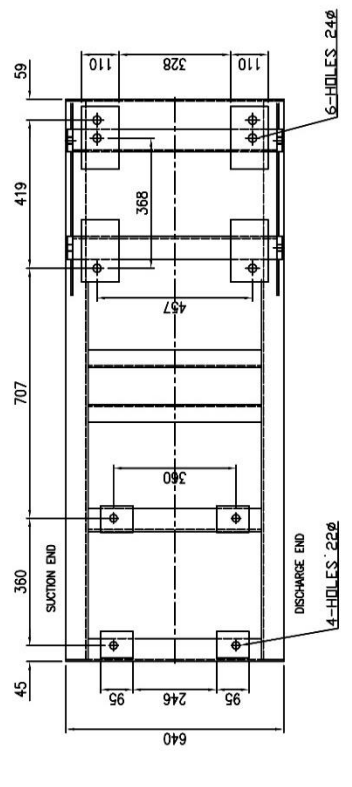
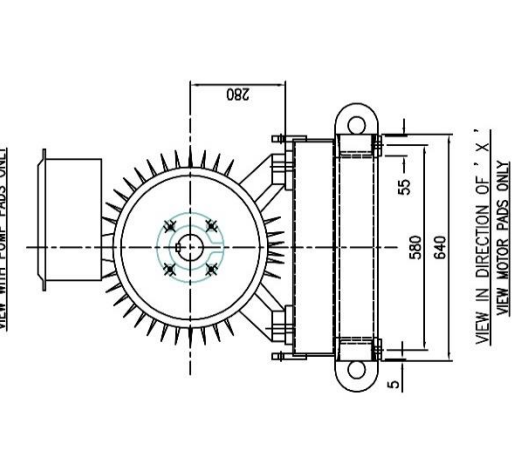
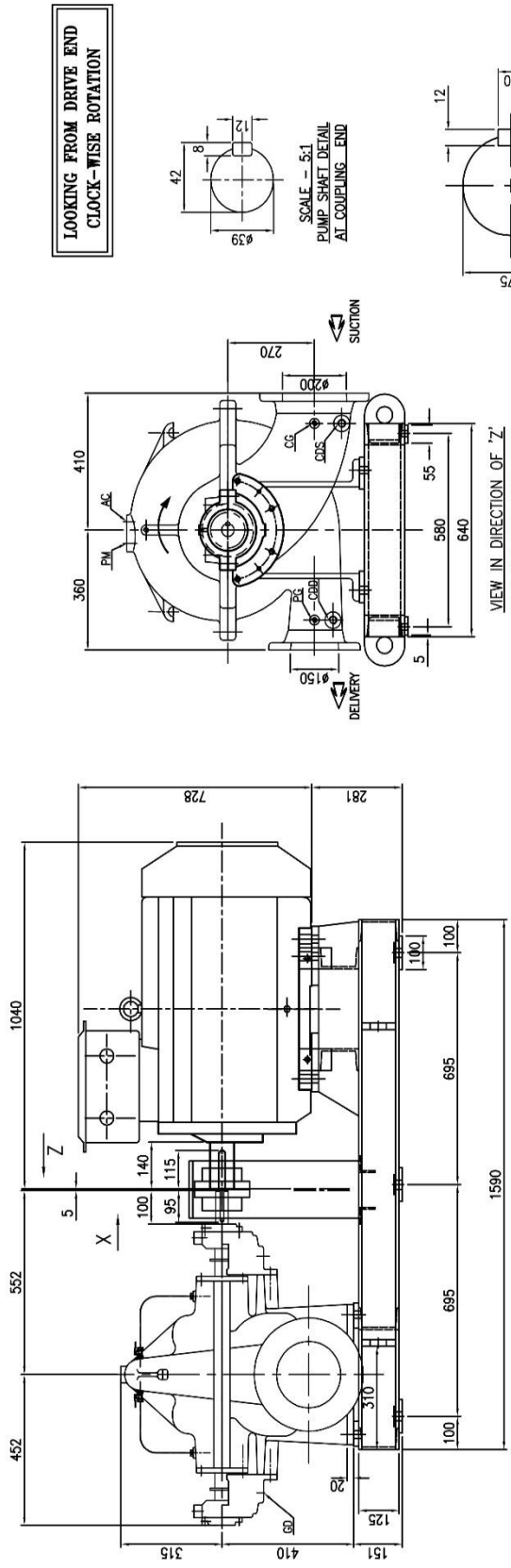
S	PN 16	340	285	24	12, #22	-	-	-	DELIVERY - #150
D	PN 16	-	285	240	22 B, #22	-	-	-	
REF. NO.	TYPE OF FLANGE	O.D. P.C.D.	MIN OF HOLE	RF THK	RF THK	RF THK	RF THK	RF THK	

REV	DESCRIPTION	DRN	CHKD	DATE
0				

DRN	Ab	23.10.17	DRG. NO.	PSF/6HS15/MGA-01
CHKD	ST	23.10.17		
APPD	HS	24.10.17		

TITLE	GA DRAWING FOR 6HS15 WITH 45KW ABB MOTOR FRAME SIZE 225SM		SCALE	1:1
PUMPSENSE				

GENERAL ARRANGEMENT DRAWING FOR SINGLE STAGE AXIALLY SPLIT CASE PUMP 6HS17 WITH 75KW ABB MOTOR IN FRAME SIZE 280SM



TOP VIEW OF BASE PLATE

APPROXIMATE WEIGHTS IN KGS.

PUMP	423
MOTOR	610
BED PLATE	139
COUPLING & GAIRD	20
TOTAL WEIGHT	1192

MOTOR DETAILS	
MAKE	ABB
TYPE	TEFC.
KW	75
FR.SIZE	280SM
SPEED	1480 RPM.

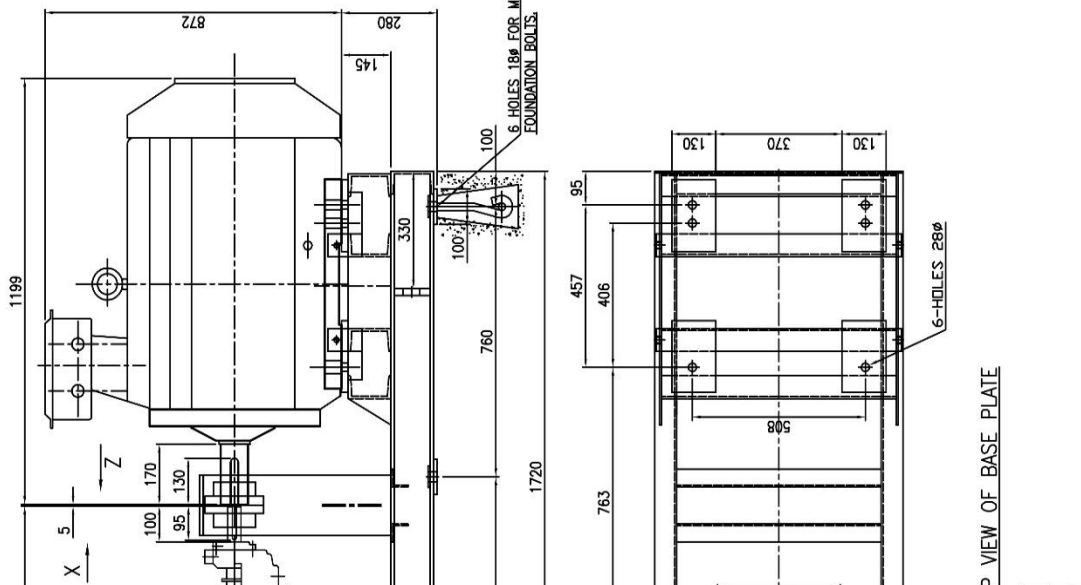
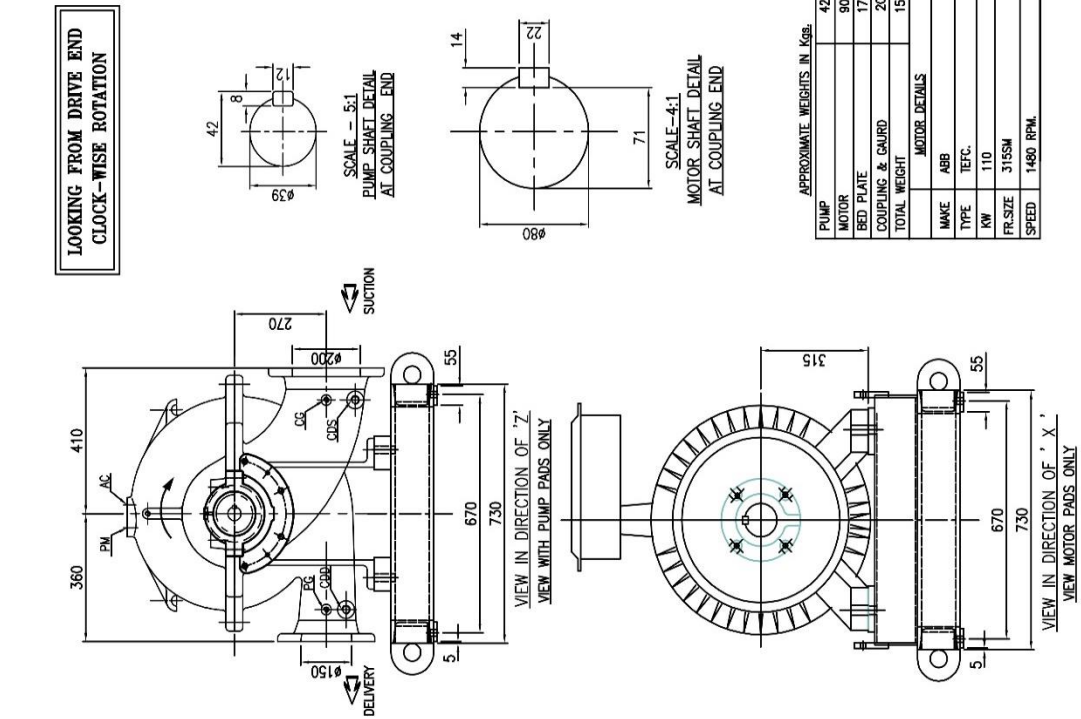
CONNECTIONS		SIZE(NPT)
GD	GLAND DRAIN	1/2"
CG	COMPOUND GAUGE FOR SUCTION	3/8"
PG	PRESSURE GAUGE FOR DELIVERY	3/8"
AC	AIR COCK	3/8"
PM	PRIMING	3/4"
CDS	CASING DRAIN(SUCTION SIDE)	3/4"
CDD	CASING DRAIN(DELIVERY SIDE)	3/4"

* W/ GANGE CONNECTIONS WELDED AND CAPED. ONLY W/ PUMP. SEPARATELY INDICATED IN THE DRAWING.

S	PN 16	340	295	24	12, Ø22	-	-	285	240	22	Ø, Ø22	-	-
D	PN 16												
REF.	TYPE OF FLANGE	O.D.	P.C.D.	THK IN.	SIZE	RF THK	MIN OF HOLE	O.D.	P.C.D.	THK IN.	SIZE	RF THK	MIN OF HOLE
NO.	FLANGE	Ø200	Ø150	Ø200	Ø150	Ø150	Ø150	Ø150	Ø150	Ø150	Ø150	Ø150	Ø150

PUMPSENSE		TITLE		SCALE	
		GA DRAWING FOR 6HS17 WITH 75KW ABB MOTOR FRAME SIZE 280SM		1:1	
DRN	AD	25.10.17	DRG. NO.	REV	0
CHKD	ST	25.10.17	PSF/6HS17/MGA-01		
APPD	HS	24.10.17			

GENERAL ARRANGEMENT DRAWING FOR SINGLE STAGE AXIALLY SPLIT CASE PUMP 6HS17 WITH 110KW ABB MOTOR IN FRAME SIZE 315SM



TITLE	PUMPSENSE	
GA DRAWING FOR 6HS17 WITH 110KW ABB MOTOR FRAME SIZE 315SM		
SCALE	1:1	
DRN	23.10.17	DRG. NO.
CHKD	23.10.17	PSF/6HS17/MGA-01
APPD	24.10.17	REV
HS		0

REV	DESCRIPTION	DRN	CHKD	DATE
150 <td>DELIVERY - Ø150<td></td><td></td><td></td></td>	DELIVERY - Ø150 <td></td> <td></td> <td></td>			
200 <td>SUCTION - Ø200<td></td><td></td><td></td></td>	SUCTION - Ø200 <td></td> <td></td> <td></td>			

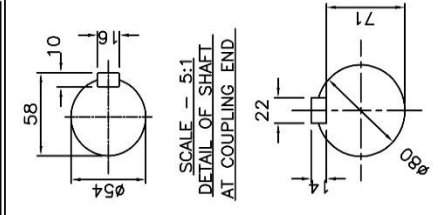
S	PN 16	340	285	24	12, Ø22	-	-	-	-
D	PN 16	-	-	285	240	22	8, Ø22	-	-
REF.	TYPE OF NO. FLANGE	O.D. P.C.D.	THK. MIN OF HOLE	SIZE OF HOLE	REF. THK.	MIN OF HOLE	REF. THK.	REF. THK.	REF. THK.

ITEM	DESCRIPTION	SIZE (NPT)
GD	GLAND DRAIN	1/2"
CG	COMPOUND GAUGE FOR SUCTION	3/8"
PG	PRESSURE GAUGE FOR DELIVERY	3/8"
AC	AIR COCK	3/8"
PM	PRIMING	3/4"
CDS	CASING DRAIN(SUCTION SIDE)	3/4"
DDS	CASING DRAIN(DELIVERY SIDE)	3/4"

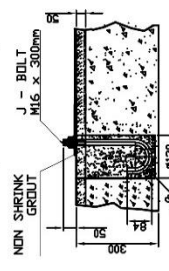
NOTE: CONNECTIONS SHOWN AND LISTED ONLY ARE GENERAL AND SUBJECT TO CHANGE WITHOUT NOTICE.

GENERAL ARRANGEMENT DRAWING FOR SINGLE STAGE AXIALLY SPLIT CASE PUMP 6HS21 WITH 110KW ABB MOTOR

CLOCK-WISE ROTATION
LOOKING FROM DRIVE END

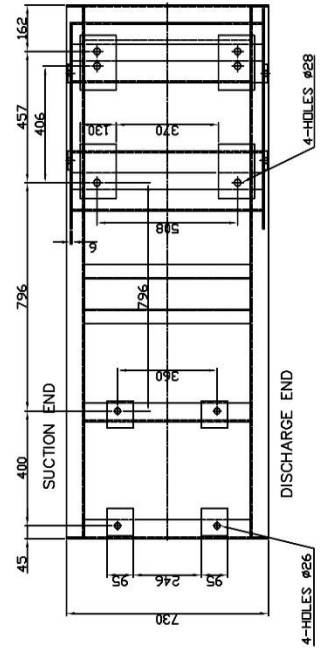
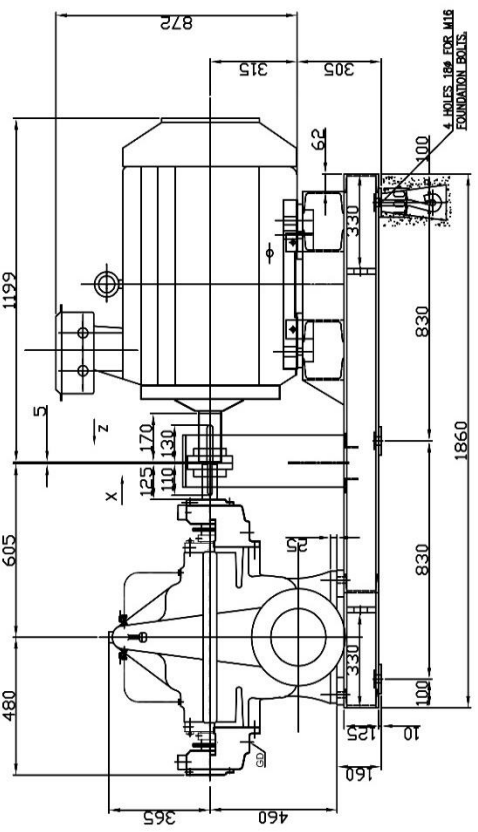
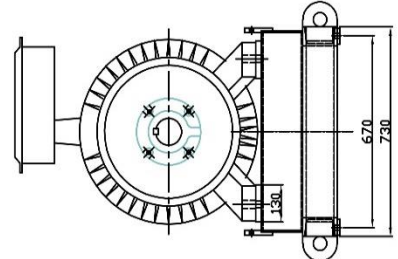
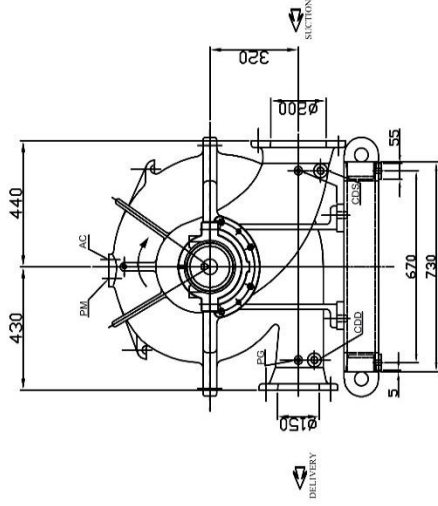


SCALE - 4:1
AT COUPLING END
MOTOR SHAFT



APPROXIMATE WEIGHTS IN KGS.

PUMP	600
MOTOR	905
BED PLATE	175
COUPLING & GAUROD	20
TOTAL WEIGHT	1700
MOTOR DETAILS	
MAKE	ABB
KW	110
FR-SIZE	315SM
SPEED	1480 RPM.

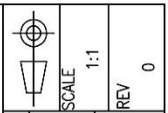


TOP VIEW OF BASE PLATE

ITEM	DESCRIPTION	SIZE(MT)
GD	GLAND DRAIN	3/4"
CG	COMPOUND GAUGE FOR SUCTION	3/8"
PG	PRESSURE GAUGE FOR DELIVERY	3/8"
AC	AIR COCK	3/8"
PM	PRIMING	1"
CDS	CASING DRAIN(SUCTION SIDE)	3/4"
COD	CASING DRAIN(DELIVERY SIDE)	3/4"

* - CASE CONNECTIONS SHOWN ARE FOR REFERENCE ONLY
** - CONNECTIONS NOT INCLUDED IN THIS DRAWING

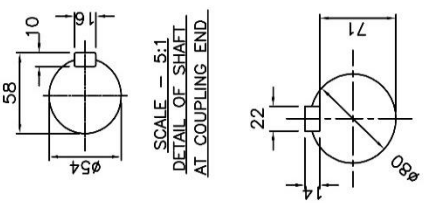
S	PN 16	340	295	24	12, #22	-	-	-	-	-	-
D	PN 16			285	240	22	8, #22				
REF	NO. OF FLANGE	O.D.	P.C.D.	THK. NO. MIN OF	SIZE OF HOLE	RF	THK	RF	THK	RF	THK
NO.	FLANGE										
				SUCTION - 200		DELIVERY - 150					



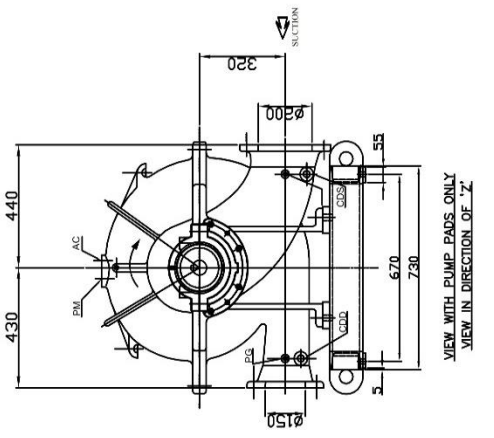
TITLE:-	GA. DRAWING FOR 6HS21 (CW) WITH 110KW MOTOR FRAME SIZE 315SM
DRN	AD 21.05.17
CHKD	ST 21.05.17
REV	0

GENERAL ARRANGEMENT DRAWING FOR SINGLE STAGE AXIALLY SPLIT CASE PUMP 6HS21 WITH 132KW ABB MOTOR

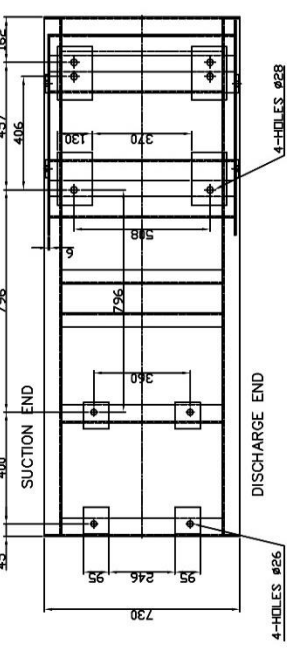
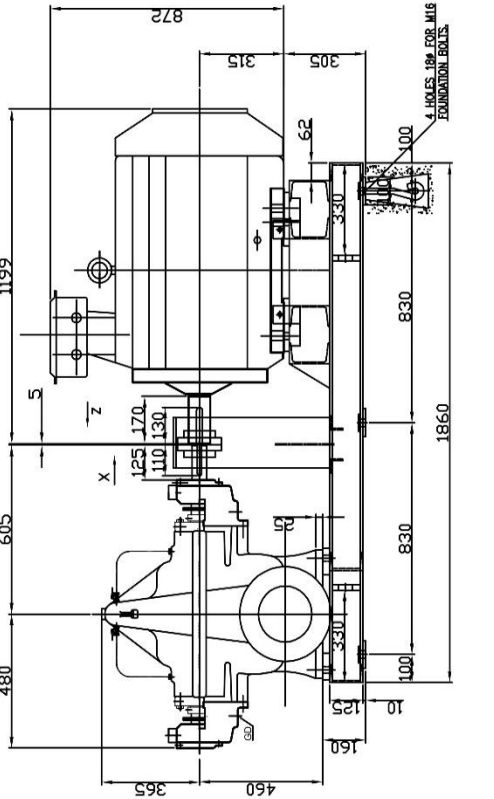
CLOCK-WISE ROTATION
LOOKING FROM DRIVE END



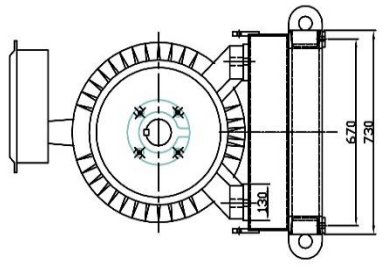
SCALE - 5:1
DETAIL OF SHAFT
AT COUPLING END



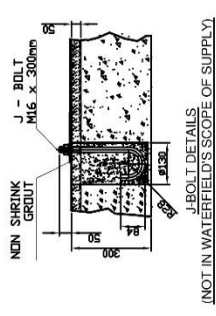
VIEW WITH PUMP PADS ONLY
VIEW IN DIRECTION OF 'Z'



TOP VIEW OF BASE PLATE



VIEW WITH MOTOR PADS ONLY
VIEW IN DIRECTION OF 'X'



J-BOLT DETAILS
(NOT IN WATERFIELD'S SCOPE OF SUPPLY)

APPROXIMATE WEIGHTS IN KGS.

PUMP	600
MOTOR	960
BED PLATE	175
COUPLING & GAIRD	20
TOTAL WEIGHT	1755

MAKE	ABB
KW	132
FR.SIZE	315SM
SPEED	1480 RPM.

CONNECTIONS		
ITEM	DESCRIPTION	SIZE (NPT)
GD	BLIND DRAIN	3/4"
CS	COMPOUND GAUGE FOR SUCTION	3/8"
PG	PRESSURE GAUGE FOR DELIVERY	3/8"
AC	AIR COCK	3/8"
PM	PRIMING	1"
CDS	CASING DRAIN(SUCTION SIDE)	3/4"
CDL	CASING DRAIN(DELIVERY SIDE)	3/4"

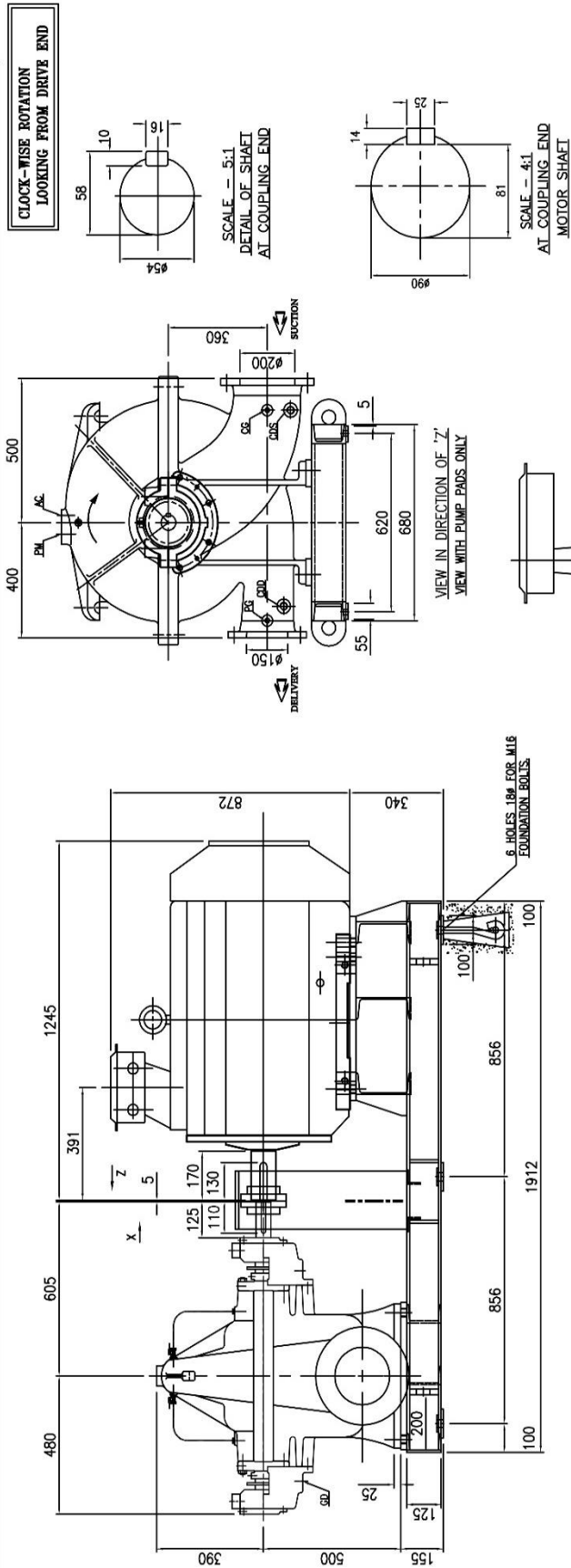
TITLE:--
PUMPSENSE
GA DRAWING FOR 6HS21 (CW) WITH 132KW MOTOR
FRAME SIZE 315SM
SCALE 1:1

DRN	10	12.05.17	DRG. NO.	
CHKD	31	12.05.17		
APPD	15	12.05.17		

NO.	REF	TYPE OF FLANGE	O.D.	P.C.D.	MIN OF HOLE	RF FLANGE	THK NO. SIZE	RF THK	RF THK	DELIVERY - 150	REV	DESCRIPTION	DRN	CHKD	APPD
S	PN 16	340	295	24	12, #22	-	285	240	22	8, #22	-				
D	PN 16														

PUMPSENSE			
GA DRAWING FOR 6HS21 (CW) WITH 132KW MOTOR			
FRAME SIZE 315SM			
SCALE	1:1		
REV	0		

GENERAL ARRANGEMENT DRAWING FOR SINGLE STAGE AXIALLY SPLIT CASE PUMP 6HS23 WITH 150KW ABB MOTOR IN FRAME SIZE 315ML

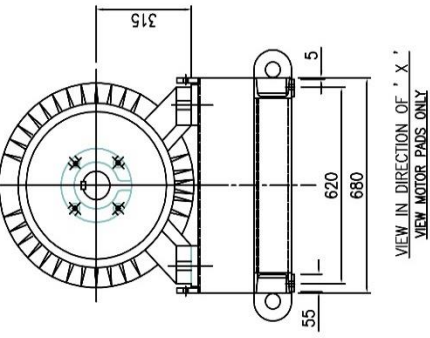


APPROXIMATE WEIGHTS IN Kgs.

PUMP	640
MOTOR	1110
BED PLATE	214
COUPLING & GAIRD	20
TOTAL WEIGHT	1984

MOTOR DETAILS

MAKE	ABB
TYPE	TEFC.
KW	150
FR.SIZE	315ML
SPEED	1480 RPM.



PUMPSENSE		
TITLE- GA DRAWING FOR 6HS23 WITH 150KW ABB MOTOR FRAME SIZE 315ML TYPE-2		
DRN	10.11.17	1:1
CHKD	10.11.17	REV
APPD	10.11.17	0

REV	DESCRIPTION	DRN	CHKD	DATE

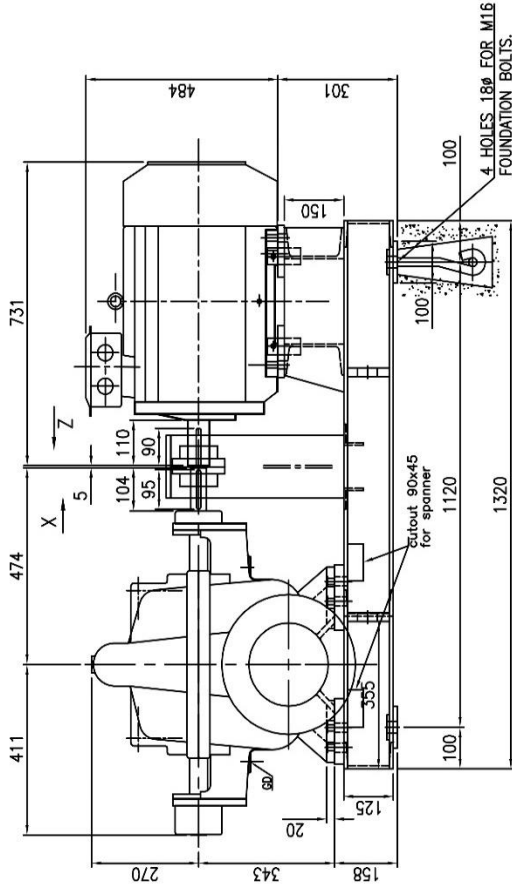
S	PN 16	340	295	24	12, Ø22	—	22	Ø, Ø22	—
D	PN 16	—	—	—	—	—	240	Ø, Ø22	—
REF. TYPE OF NO. FLANGE		O.D. P.C.D.	THK. NO. SIZE OF MIN OF HOLE	RF THK	RF FLANGE	O.D. P.C.D.	THK. NO. SIZE OF MIN OF HOLE	RF THK	RF FLANGE
SUCTON - Ø200		DELIVERY - Ø150							

CONNECTIONS		
ITEM	DESCRIPTION	SIZE(NPT)
GD	GLAND DRAIN	3/4"
CC	COMPOUND GAUGE FOR SUCTION	3/8"
PG	PRESSURE GAUGE FOR DELIVERY	3/8"
AC	AIR COCK	3/8"
PM	PRIMING	1"
DS	CASING DRAIN(SUCTON SIDE)	3/4"
DD	CASING DRAIN(DELIVERY SIDE)	3/4"

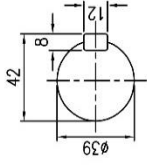
* SAME CONNECTIONS SHOULD BE USED AS SHOWN ONLY. ** THIS IS SUBJECT TO CONFIRMATION BY THE CUSTOMER.

TOP VIEW OF BASE PLATE

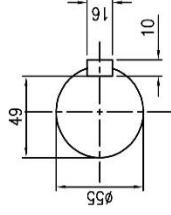
GENERAL ARRANGEMENT DRAWING FOR SINGLE STAGE AXIALLY SPLIT CASE PUMP 8HS12 WITH 30KW ABB MOTOR IN FRAME SIZE 200ML



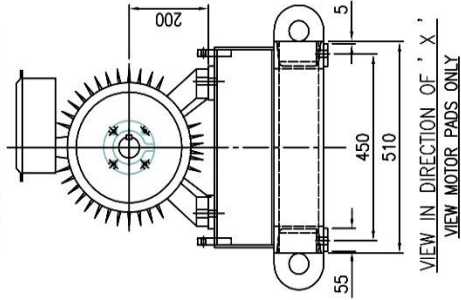
LOOKING FROM DRIVE END
CLOCK-WISE ROTATION



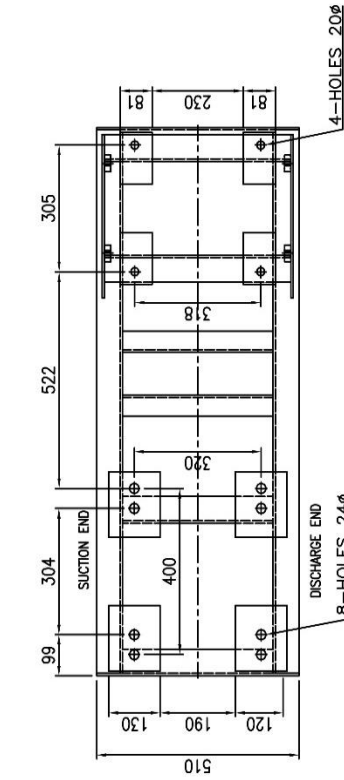
SCALE - 5:1
PUMP SHAFT DETAIL
AT COUPLING END



SCALE - 4:1
MOTOR SHAFT DETAIL
AT COUPLING END



VIEW IN DIRECTION OF ' X '
VIEW MOTOR PADS ONLY



TOP VIEW OF BASE PLATE

APPROXIMATE WEIGHTS IN KGS.

PUMP	370
MOTOR	245
BED PLATE	112
COUPLING & GAIRD	15
TOTAL WEIGHT	742
MOTOR DETAILS	
MAKE	ABB
TYPE	TEFC.
KW	30
FR.SIZE	200ML
SPEED	1480 RPM.

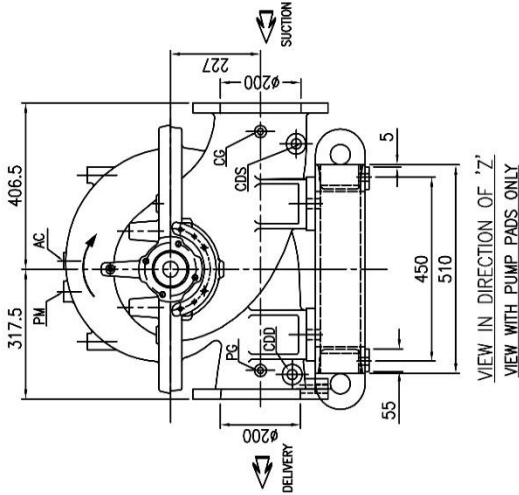
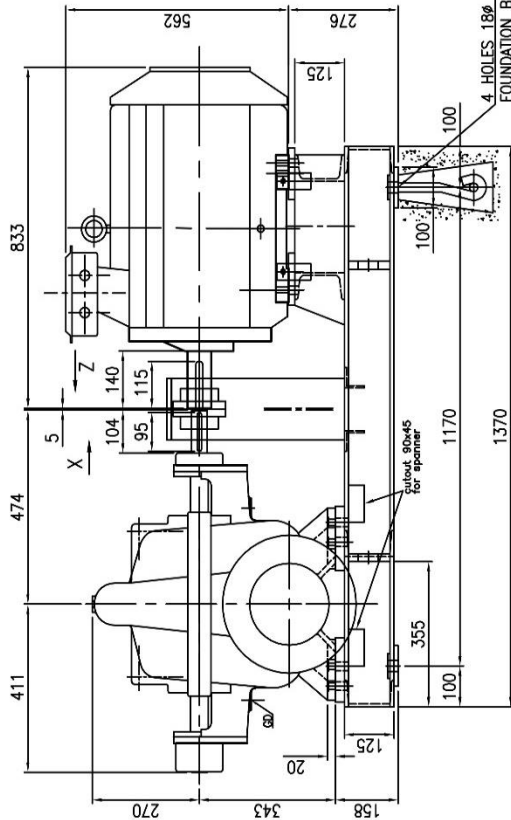
CONNECTIONS		
ITEM	DESCRIPTION	SIZE(NPT)
G0	GLAND DRAIN	3/4"
G2	COMPOUND GAUGE FOR SUCTION	3/8"
P2	PRESSURE GAUGE FOR DELIVERY	3/8"
AC	AIR COCK	3/8"
PM	PRIMING	1/2"
CS	CASING DRAIN(SUCTION SIDE)	3/4"
CD	CASING DRAIN(DELIVERY SIDE)	3/4"

BASE CONNECTIONS ARE TO BE PROVIDED BY THE USER

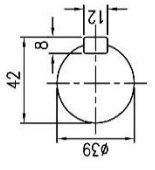
S	PN 16	340	295	24	12, #22	—	—	—	—	—	—	—	—	—	—	—	—	—	—	—	—	—	—
D	PN 16					340	295	24	12, #22	—	—	—	—	—	—	—	—	—	—	—	—	—	—
REF. NO.	TYPE OF FLANGE	O.D.	P.C.D.	THK. NO. MIN OF HOLE	RF	REF THK	RF	THK. NO. MIN OF HOLE	RF	REF THK	RF	THK. NO. MIN OF HOLE	RF	REF THK	RF	THK. NO. MIN OF HOLE	RF	REF THK	RF	THK. NO. MIN OF HOLE	RF	REF THK	RF
SUCTION - 200												DELIVERY - 200											
REV		DESCRIPTION			DRN	CHKD	DATE																

TITLE			PUMPSENSE						
GA DRAWING FOR 8HS12 WITH 30KW ABB MOTOR FRAME SIZE 200ML			SCALE						
			1:1						
DRN	APPROV	DATE	CHKD	DATE	APPD	DATE	REV	0	
AB	AS	17.11.17	ST	19.11.17	MS	17.11.17			
								PSF/8HS12/MCA-01	

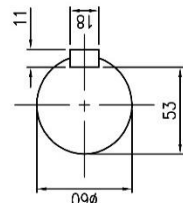
GENERAL ARRANGEMENT DRAWING FOR SINGLE STAGE AXIALLY SPLIT CASE PUMP 8HS12 WITH 45KW ABB MOTOR IN FRAME SIZE 225SM



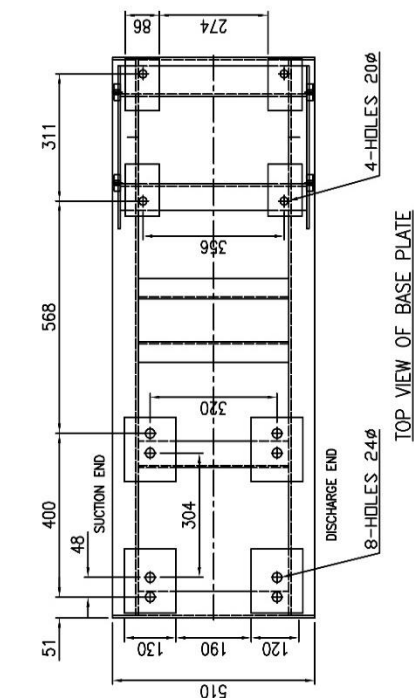
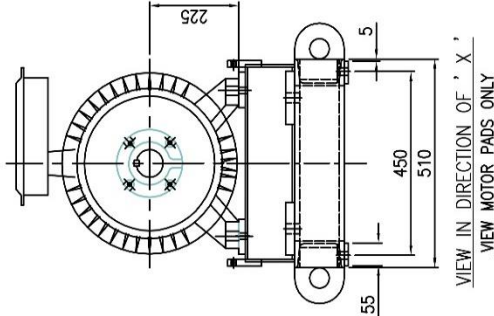
LOOKING FROM DRIVE END
CLOCK-WISE ROTATION



SCALE - 5:1
PUMP SHAFT DETAIL
AT COUPLING END



SCALE-4:1
MOTOR SHAFT DETAIL
AT COUPLING END



CONNECTIONS		
ITEM	DESCRIPTION	SIZE(NPT)
GD	GLAND DRAIN	3/4"
CG	COMPOUND GAUGE FOR SUCTION	3/8"
PG	PRESSURE GAUGE FOR DELIVERY	3/8"
AC	AIR COCK	3/8"
PM	PRIMING	1/2"
CDS	CASING DRAIN(SUCTION SIDE)	3/4"
CDD	CASING DRAIN(DELIVERY SIDE)	3/4"

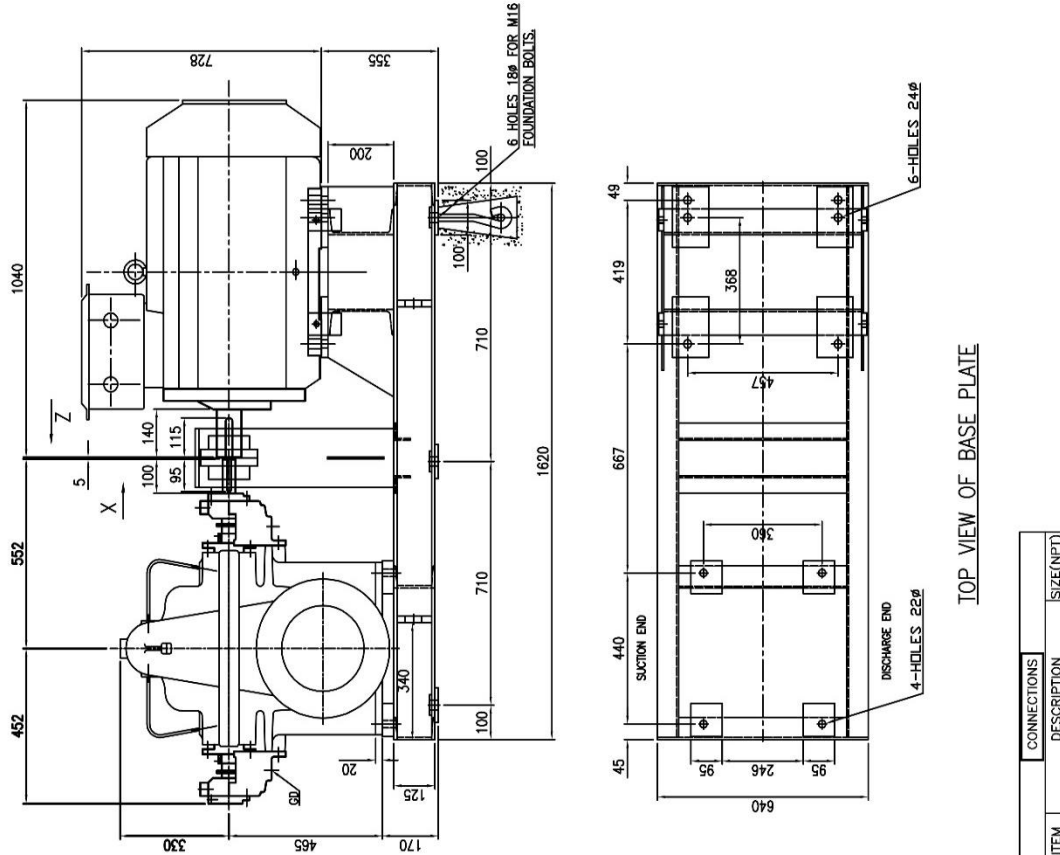
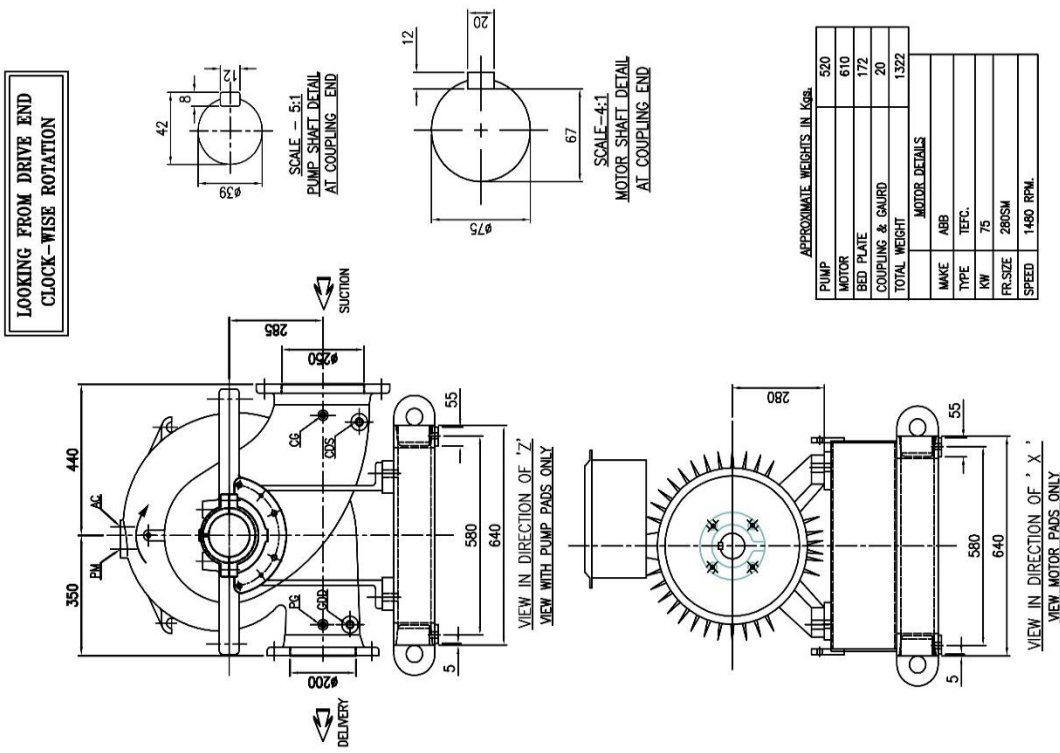
APPROXIMATE WEIGHTS IN KGS.

PUMP	370
MOTOR	340
BED PLATE	109
COUPLING & GAIRD	15
TOTAL WEIGHT	834

MOTOR DETAILS	
MAKE	ABB
TYPE	TEFC.
KW	45
FR.SIZE	225SMC4
SPEED	1480 RPM.

S	PN 16	340	295	24	12, #22	—	—	—	—	—	—	—	—	—	—	—	—	—	—	—
D	PN 16																			
REF. NO.	TYPE OF FLANGE	O.D.	P.C.D.	THK NO.	SIZE OF MIN OF HOLE	RF THK	RF FLANGE	THK NO.	SIZE OF MIN OF HOLE	RF THK	RF FLANGE	DELIVERY - 200	REV	DESCRIPTION	DRN	CHKD	DATE	PUMPSENSE	TITLE	
																			GA DRAWING FOR 8HS12 WITH 45KW ABB MOTOR FRAME SIZE 225SM	
																			SCALE 1:1	
																			REV 0	

GENERAL ARRANGEMENT DRAWING FOR SINGLE STAGE AXIALLY SPLIT CASE PUMP 8HS14 WITH 75KW ABB MOTOR IN FRAME SIZE 280SM



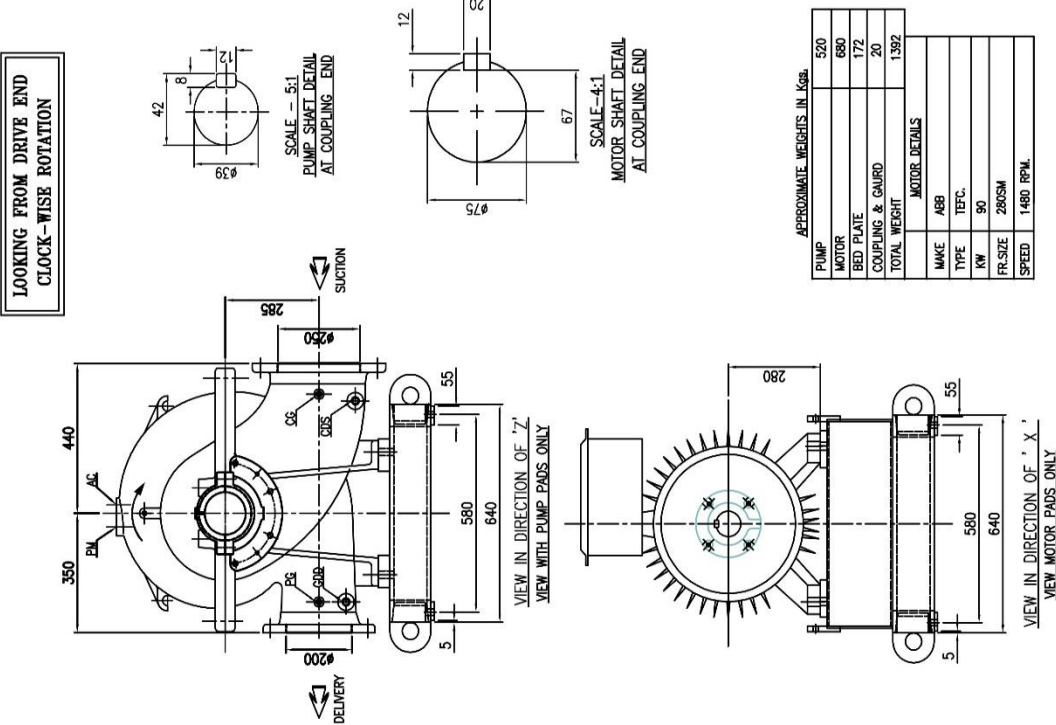
ITEM	DESCRIPTION	SIZE(NPT)
GD	GLAND DRAIN	1/2"
CG	COMPOUND GAUGE FOR SUCTION	3/8"
PG	PRESSURE GAUGE FOR DELIVERY	3/8"
AC	AIR COCK	3/8"
PM	PRIMING	3/4"
CDS	CASING DRAIN(SUCTION SIDE)	3/4"
DDD	CASING DRAIN(DELIVERY SIDE)	3/4"

S	PN 16	405	355	26	12	26	—	340	295	24	12	22	—
D	PN 16									THK INO. SIZE	RF THK	RF THK	RF THK
REF.	TYPE OF FLANGE	O.D.	P.C.D.	MIN OF HOLE	RF FLANGE	RF FLANGE	O.D.	P.C.D.	MIN OF HOLE	RF FLANGE	RF FLANGE	RF FLANGE	RF FLANGE

REV	DESCRIPTION	DRN	CHKD	DATE
0 <td></td> <td></td> <td></td> <td></td>				

PUMPSENSE		SCALE
TITLE	GA DRAWING FOR 8HS14 WITH 75KW ABB MOTOR FRAME SIZE 280SM	1:1
DRN	Ab 23.10.17	
CHKD	St 23.10.17	
APPD	Is 24.10.17	
DRG. NO.	PSF/8HS14/AGA-01	REV
		0

GENERAL ARRANGEMENT DRAWING FOR SINGLE STAGE AXIALLY SPLIT CASE PUMP 8HS14 WITH 90KW ABB MOTOR IN FRAME SIZE 280SM

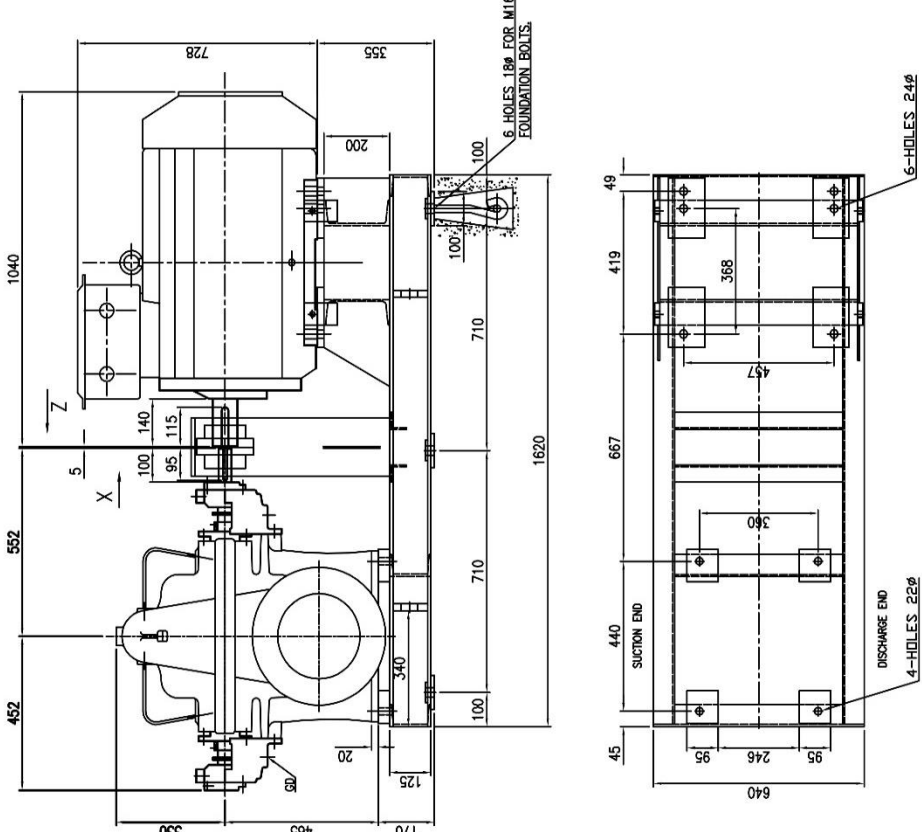


APPROXIMATE WEIGHTS IN Kgs.

PUMP	520
MOTOR	680
BED PLATE	172
COUPLING & GAIRD	20
TOTAL WEIGHT	1392

MOTOR DETAILS

MAKE	ABB
TYPE	TFTC.
KW	90
FR SIZE	280SM
SPEED	1480 RPM.



CONNECTIONS		SIZE(NPT)	
ITEM	DESCRIPTION		
GD	GLAND DRAIN	1/2"	
CG	COMPOUND GAUGE FOR SUCTION	3/8"	
PG	PRESSURE GAUGE FOR DELIVERY	3/8"	
AC	AIR COCK	3/8"	
PM	PRIMING	3/4"	
CDS	CASING DRAIN(SUCTION SIDE)	3/4"	
CDD	CASING DRAIN(DELIVERY SIDE)	3/4"	

ALL WELDING CONNECTIONS WELDED AND WAPED ONLY
ALL WELDING CONNECTIONS WELDED AND WAPED ONLY

S	PN 16	405	355	26	12, ø26	—	—	—	—
D	PN 16					340	285	24	12, ø22
REF. NO.	O.D. P.C.D.	THK	MIN	NO. OF HOLES	RF THK	O.D. P.C.D.	MIN	NO. OF HOLES	RF THK
	FLANGE				RF FLANGE				RF FLANGE
		SUCTION - ø250				DELIVERY - ø200			

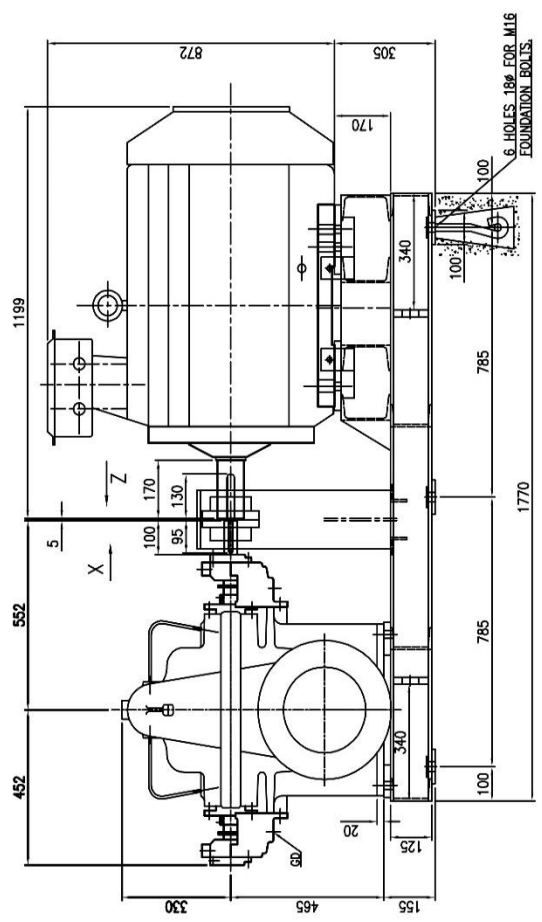
PUMPSENSE

TITLE GA DRAWING FOR 8HS14 WITH 90KW ABB MOTOR FRAME SIZE 280SM

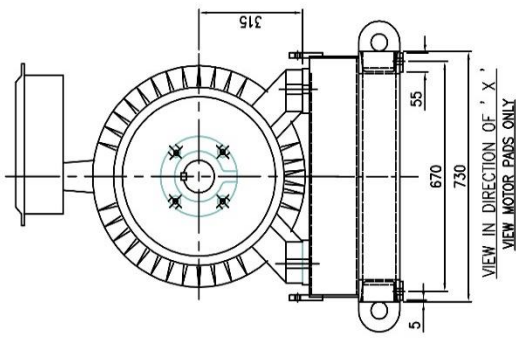
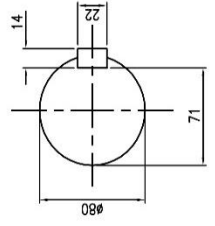
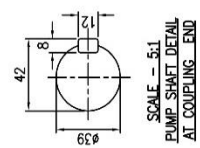
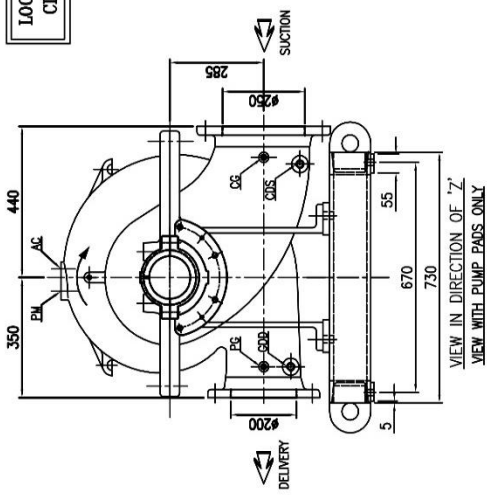
SCALE 1:1

DRN	AD	23.10.17	DRG. NO.	
CHKD	ST	23.10.17		
APPD	HS	24.10.17	PSF/8HS14/MCA-01	REV 0

GENERAL ARRANGEMENT DRAWING FOR SINGLE STAGE AXIALLY SPLIT CASE PUMP 8HS14 WITH 110KW ABB MOTOR IN FRAME SIZE 315SM



LOOKING FROM DRIVE END
CLOCK-WISE ROTATION



TOP VIEW OF BASE PLATE

APPROXIMATE WEIGHTS IN KGS.	
PUMP	520
MOTOR	905
BED PLATE	181
COUPLING & GAIRD	20
TOTAL WEIGHT	1626
MOTOR DETAILS	
MAKE	ABB
TYPE	TEFC
KW	110
FR.SIZE	315SM
SPEED	1480 RPM.

ITEM	CONNECTIONS	
	DESCRIPTION	SIZE(NPT)
GD	GLAND DRAIN	1/2"
CG	COMPOUND GAUGE FOR SUCTION	3/8"
PG	PRESSURE GAUGE FOR DELIVERY	3/8"
AC	AIR COCK	3/8"
PM	PRIMING	3/4"
CDS	CASING DRAIN(SUCTION SIDE)	3/4"
DDD	CASING DRAIN(DELIVERY SIDE)	3/4"

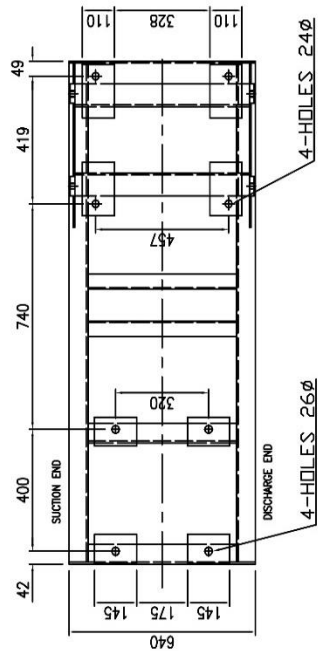
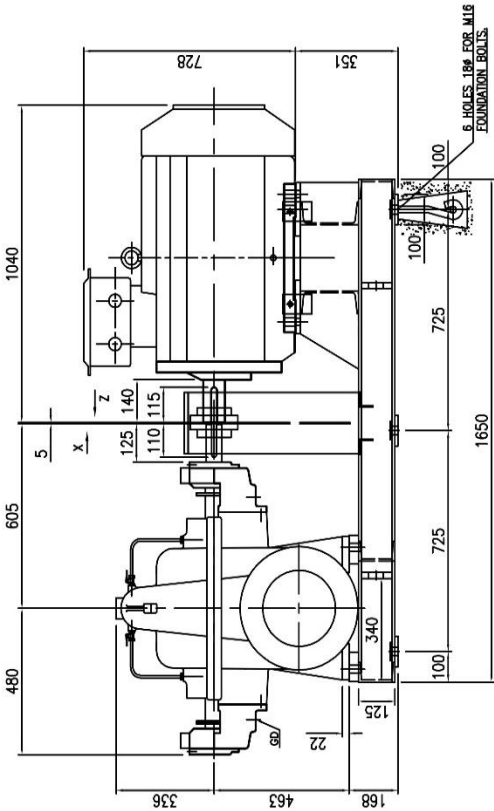
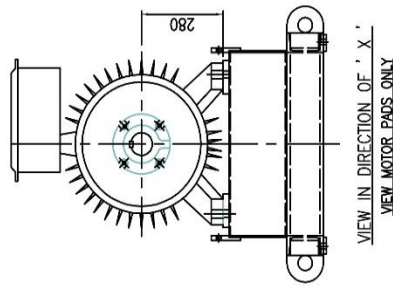
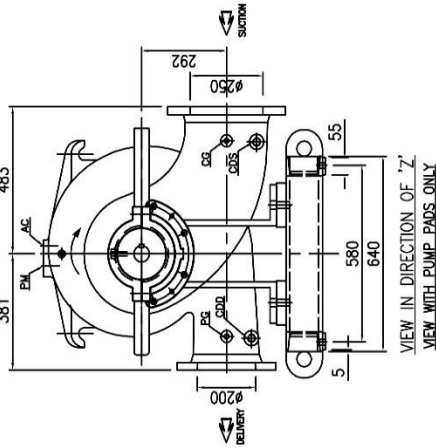
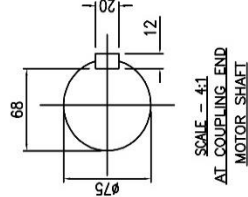
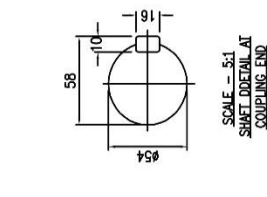
PUMPSENSE		SCALE	
TITLE			
GA. DRAWING FOR 8HS14 WITH 110KW ABB MOTOR FRAME SIZE 315SM			
DRN	CHKD	DRG. NO.	REV
Ab	St	23.10.17	1:1
Ab	St	23.10.17	0
APPD	ISS	14.10.17	

REV	DESCRIPTION	DRN	CHKD	DATE
S	PN 16 405 355 26 12, 26			
D	PN 16	340 295	24, 12, 22	
REF.	TYPE OF O.D. P.C.D. MIN OF HOLE	THK INO. SIZE OF HOLE	REF. THK	REF. THK
NO.	FLANGE	P.C.D. MIN OF HOLE	RF FLANGE	RF FLANGE
	SUCTION - Ø250	DELIVERY - Ø200		

** RANGE CONNECTIONS OBTAINED AND SPEED ONLY **
** NEED PUMP/MOTOR INFORMATION FOR THE CONNECTIONS **

GENERAL ARRANGEMENT DRAWING FOR SINGLE STAGE AXIALLY SPLIT CASE PUMP 8HS15 WITH 90KW ABB MOTOR IN FRAME SIZE 280SM

CLOCK-WISE ROTATION
LOOKING FROM DRIVE END



APPROXIMATE WEIGHTS IN KGS.

PUMP	600
MOTOR	680
BED PLATE	174
COUPLING & GAULD	20
TOTAL WEIGHT	1474

MOTOR DETAILS

MAKE	ABB
TYPE	TEFC
KW	90
FR SIZE	280SM
SPEED	1480 RPM.

PUMPSENSE

TITLE: GA DRAWING FOR 8HS15 WITH 90KW ABB MOTOR FRAME SIZE 280SM TYPE-2

SCALE	1:1				
DRN	AP	10.11.17	DRG. NO.	PSF/8HS15/MCA-01	
CHKD	ST	10.11.17	APPD	MS	10.11.17
REV					0

REV	DESCRIPTION	DRN	CHKD	DATE

DELIVERY	- Ø200
THK NO. SIZE RF	ØRF:THK
MIN OF HOLE RF	FLANGE

NO. FLANGE	NO. FLANGE	THK NO. SIZE RF	ØRF:THK	MIN OF HOLE RF	FLANGE	O.D. P.C.D.	457	320	110	328	110	419	740	400	42
REF. TYPE OF	O.D. P.C.D.	THK NO. SIZE RF	ØRF:THK	MIN OF HOLE RF	FLANGE	O.D. P.C.D.	457	320	110	328	110	419	740	400	42

NO. FLANGE	NO. FLANGE	THK NO. SIZE RF	ØRF:THK	MIN OF HOLE RF	FLANGE	O.D. P.C.D.	457	320	110	328	110	419	740	400	42
------------	------------	-----------------	---------	----------------	--------	-------------	-----	-----	-----	-----	-----	-----	-----	-----	----

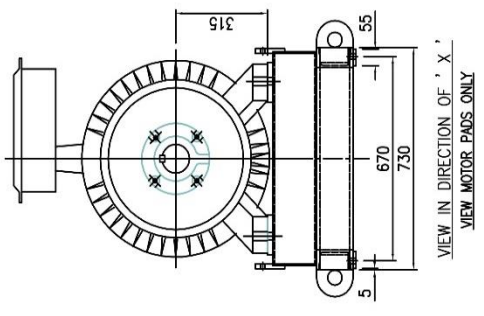
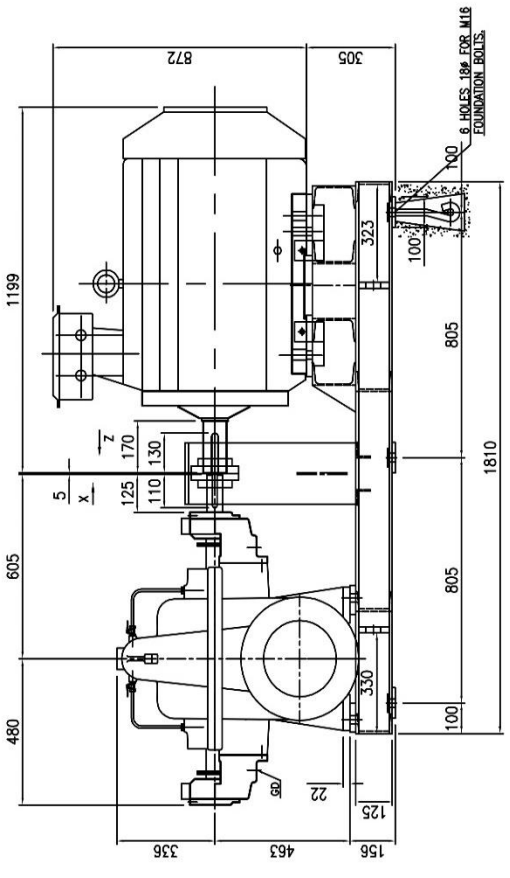
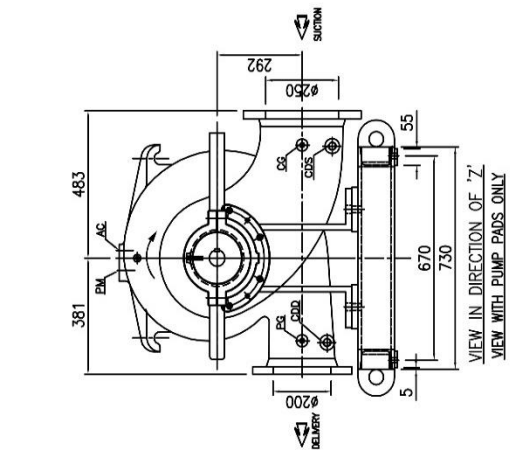
CONNECTIONS

ITEM	DESCRIPTION	SIZE(NPT)
GD	GLAND DRAIN	3/4"
CG	COMPOUND GAUGE FOR SUCTION	3/8"
PC	PRESSURE GAUGE FOR DELIVERY	3/8"
AC	AIR COCK	3/8"
PM	PRIMING	1"
CDS	CASING DRAIN(SUCTION SIDE)	3/4"
CDD	CASING DRAIN(DELIVERY SIDE)	3/4"

* GAUGE CONNECTIONS SHOWN ARE TYPICAL ONLY
** GAUGE SPECIALLY SELECTED BY THE CLIENT

GENERAL ARRANGEMENT DRAWING FOR SINGLE STAGE AXIALLY SPLIT CASE PUMP 8HS15 WITH 110KW ABB MOTOR IN FRAME SIZE 315SM

CLOCK-WISE ROTATION
LOOKING FROM DRIVE END



CONNECTIONS

ITEM	DESCRIPTION	SIZE(NPT)
GD	GLAND DRAIN	3/4"
CG	COMPOUND GAUGE FOR SUCTION	3/8"
PG	PRESSURE GAUGE FOR DELIVERY	3/8"
AC	AIR COCK	3/8"
PM	PRIMING	1"
CS	CASING DRAIN(SUCTION SIDE)	3/4"
CD	CASING DRAIN(DELIVERY SIDE)	3/4"

* GAGE CONNECTIONS SHOULD HAVE PRESSURE ONLY WHEN ESPECIALLY INDICATED BY THE CONTRACTOR

PUMPSENSE

TITLE: GA DRAWING FOR 8HS15 WITH 110KW ABB MOTOR FRAME SIZE 315SM TYPE-1

SCALE: 1:1

DRN	AP	10.11.17	DRG. NO.	REV
CHKD	ST	10.11.17	PSF/8HS15/MGA-01	0
APPD	MS	10.11.17		

DRN: CHKD DATE: APPD

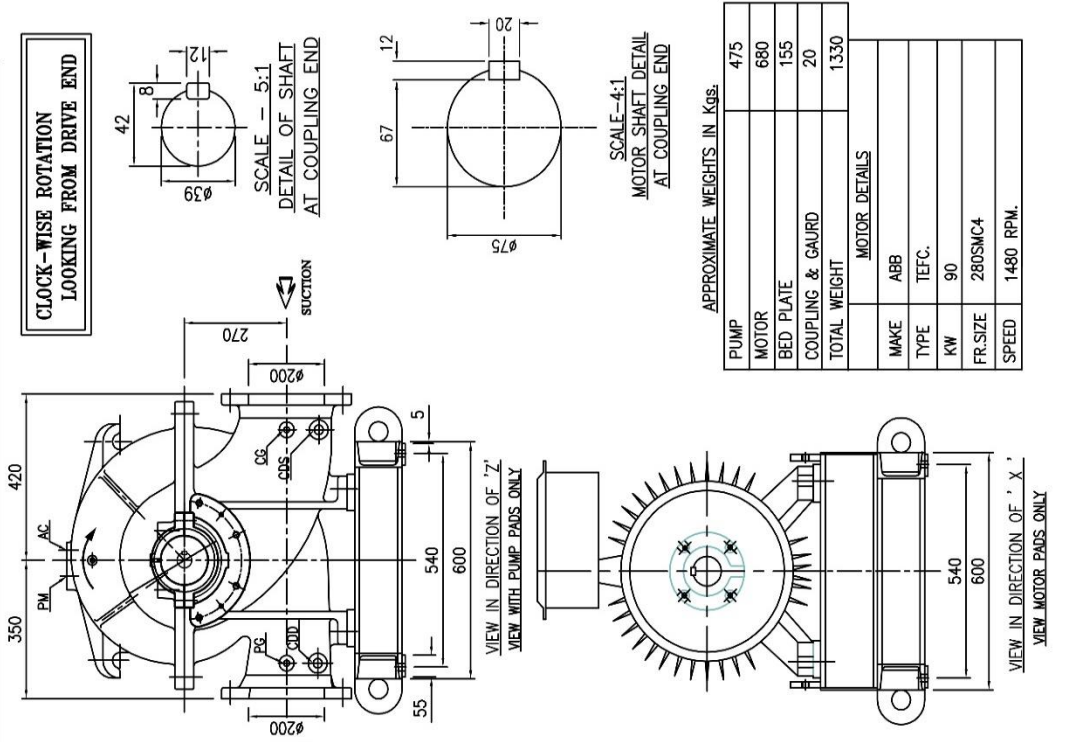
S	PN 16	405	555	26	12	#26	340	295	24	12	#22	—	—
D	PN 16												
REF. NO.	TYPE OF FLANGE	O.D.	P.C.D.	THK NO.	SIZE RF.	MIN OF HOLE	O.D.	P.C.D.	THK NO.	SIZE RF.	MIN OF HOLE	RF FLANGE	RF FLANGE

SUCTION - #250

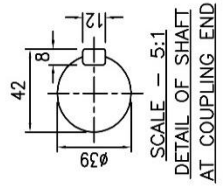
DISCHARGE - #200

DELIVERY - #200

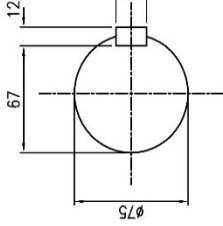
GENERAL ARRANGEMENT DRAWING FOR SINGLE STAGE AXIALLY SPLIT CASE PUMP 8HS16 WITH 90KW ABB MOTOR IN FRAME SIZE 280SM



CLOCK-WISE ROTATION
LOOKING FROM DRIVE END



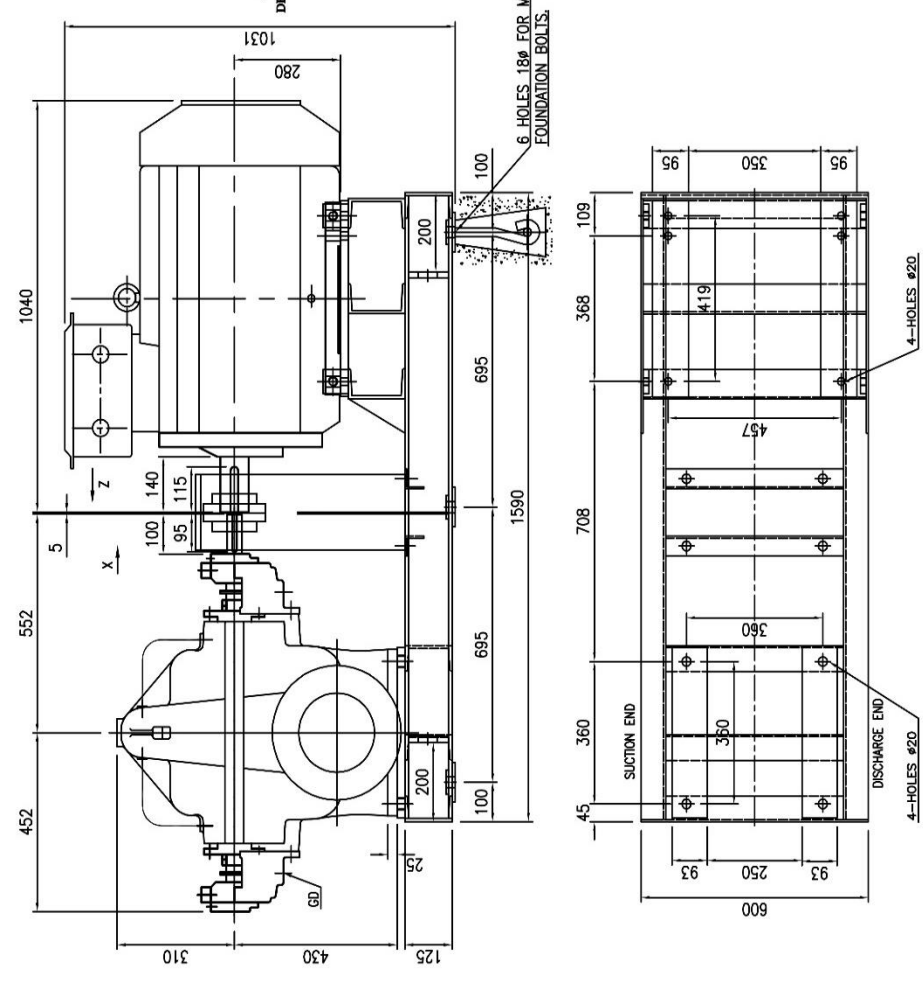
SCALE - 5:1
DETAIL OF SHAFT
AT COUPLING END



SCALE-4:1
MOTOR SHAFT DETAIL
AT COUPLING END

APPROXIMATE WEIGHTS IN KGS.	
PUMP	475
MOTOR	680
BED PLATE	155
COUPLING & GAIRD	20
TOTAL WEIGHT	1330

MOTOR DETAILS	
MAKE	ABB
TYPE	TEFC.
KW	90
FR-SIZE	280SMC4
SPEED	1480 RPM.



TOP VIEW OF BASE PLATE

CONNECTIONS		DESCRIPTION	SIZE(NPT)
GD	GLAND DRAIN		1/2"
CG	COMPOUND GAUGE FOR SUCTION		3/8"
PG	PRESSURE GAUGE FOR DELIVERY		3/8"
AC	AIR COCK		3/8"
PM	PRIMING		3/4"
CDS	CASING DRAIN(SUCTION SIDE)		3/4"
CDL	CASING DRAIN(DELIVERY SIDE)		3/4"

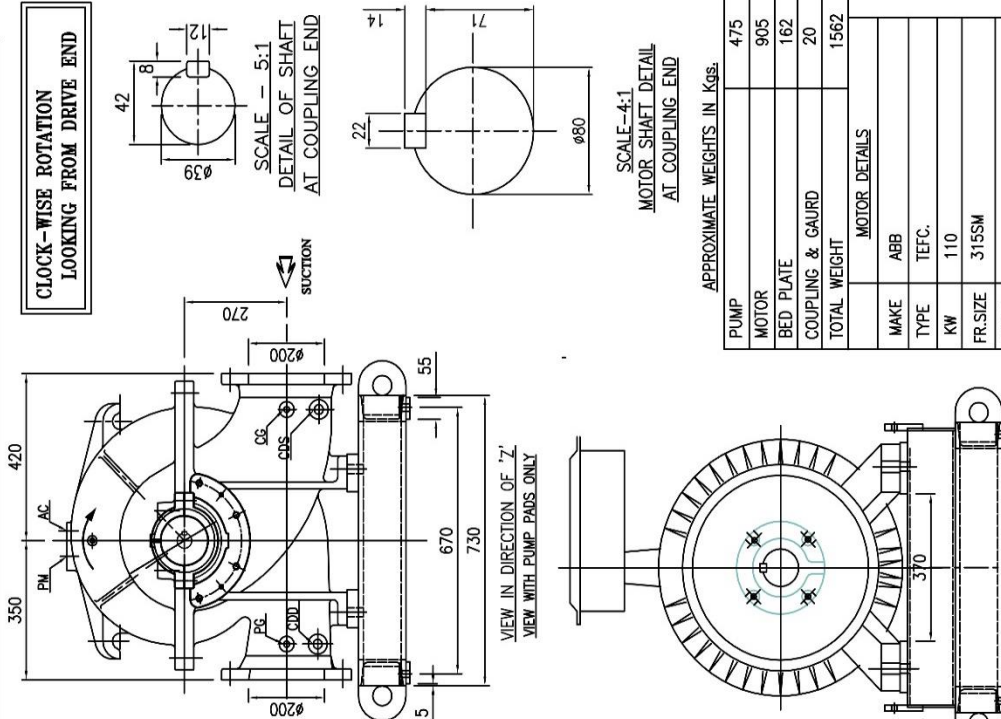
NOTE: GAUGE CONNECTIONS SHOWN ARE TYPICAL ONLY. MEET SPECIFICALLY REQUESTED BY THE CUSTOMER.

S	PN 16	340	295	24	12, #22	—	—	340	295	24	12, #22	—	—	—
D	PN 16													
REF. NO.	TYPE OF FLANGE	O.D.	P.C.D.	MIN OF HOLE	RF FLANGE	THK NO.	SIZE RF	RF THK	O.D.	P.C.D.	MIN OF HOLE	RF FLANGE	THK NO.	SIZE RF

REV	DESCRIPTION	DRN	CHKD	DATE	APPD	DES
0						

PUMPSENSE	
TITLE	GA DRAWING FOR 8HS16 WITH 90KW ABB MOTOR FRAME SIZE 280SM
SCALE	1:1
DRN	AO 23.02.17
CHKD	ST 23.02.17
APPD	PSF/8HS16/MGA-01

GENERAL ARRANGEMENT DRAWING FOR SINGLE STAGE AXIALLY SPLIT CASE PUMP 8HS16 WITH 110KW ABB MOTOR IN FRAME SIZE 315SM



CLOCK-WISE ROTATION
LOOKING FROM DRIVE END

APPROXIMATE WEIGHTS IN KGS.

PUMP	475
MOTOR	905
BED PLATE	162
COUPLING & GAIRD	20
TOTAL WEIGHT	1562

MOTOR DETAILS

MAKE	ABB
TYPE	TEFC.
KW	110
FR.SIZE	315SM
SPEED	1480 RPM.

CONNECTIONS

ITEM	DESCRIPTION	SIZE(NPT)
GD	GLAND DRAIN	1/2"
CG	COMPOUND GAUGE FOR SUCTION	3/8"
PG	PRESSURE GAUGE FOR DELIVERY	3/8"
AC	AIR COCK	3/8"
PM	PRIMING	3/4"
CSD	CASING DRAIN(SUCTION SIDE)	3/4"
CD	CASING DRAIN(DELIVERY SIDE)	3/4"

ALL GAUGE CONNECTIONS BULBED AND TAPPED ONLY WHEN SPECIALLY REQUESTED BY THE CUSTOMER.

TOP VIEW OF BASE PLATE

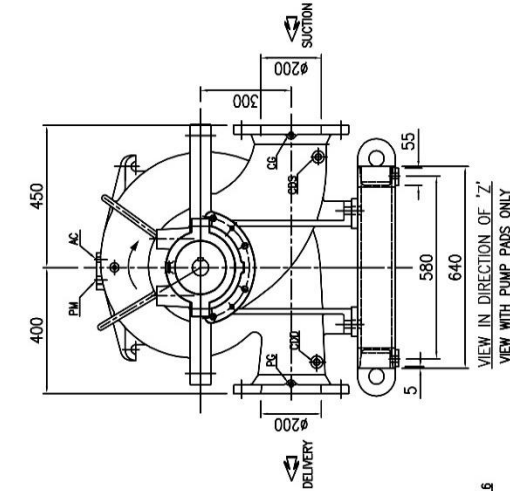
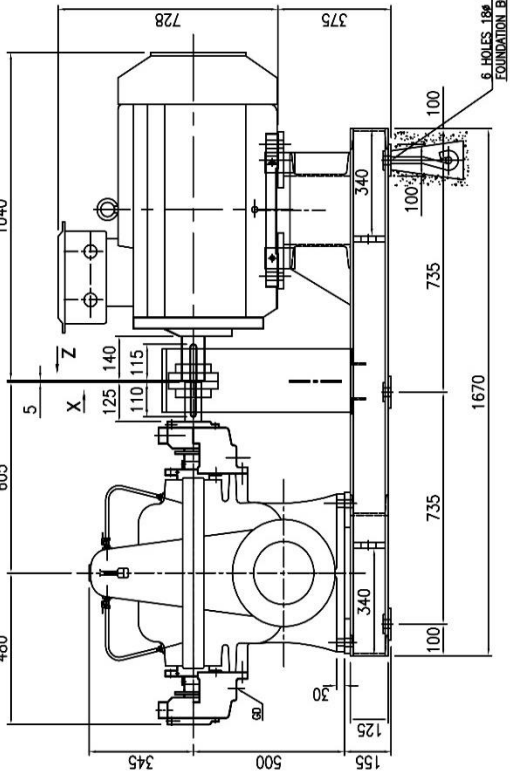
S	PN 16	340	295	24	12, ø22	—	340	295	24	12, ø22	—
D	PN 16										
REF. NO.	TYPE OF FLANGE	O.D.	P.C.D.	MIN OF HOLE	RF THK	O.D.	P.C.D.	MIN OF HOLE	RF THK	THK NO. SIZE	RF THK

DELIVERY - ø200

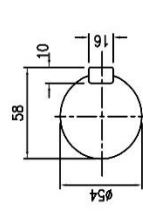
SUCTION - ø200

TITLE		PUMPSENSE	
GA DRAWING FOR 8HS16 WITH 110KW ABB MOTOR FRAME SIZE 315SM		SCALE 1:1	
DRN No	23.02.17	DRG. NO.	
CHKD BY	23.02.17	PSF/8HS16/MGA-01	
APPD BY	23.02.17		
REV			0

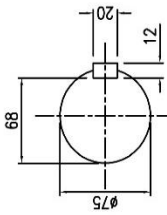
GENERAL ARRANGEMENT DRAWING FOR SINGLE STAGE AXIALLY SPLIT CASE PUMP 8HS17 WITH 90KW ABB MOTOR IN FRAME SIZE 280SM



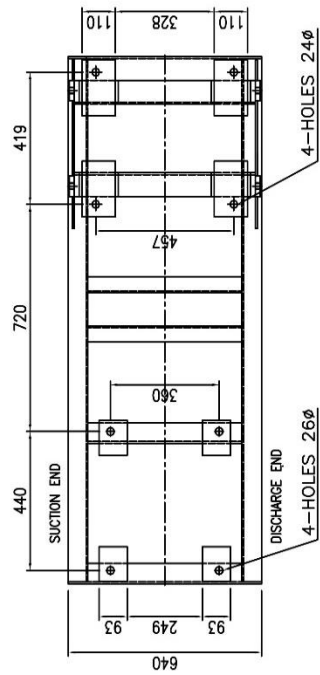
CLOCK-WISE ROTATION
LOOKING FROM DRIVE END



SCALE - 5:1
DETAIL OF SHAFT
AT COUPLING END



SCALE - 4:1
AT COUPLING END
MOTOR SHAFT



TOP VIEW OF BASE PLATE

APPROXIMATE WEIGHTS IN Kgs.

PUMP	615
MOTOR	680
BED PLATE	174
COUPLING & GAIRD	20
TOTAL WEIGHT	1489

MOTOR DETAILS

MAKE	ABB
TYPE	TEFC.
KW	90
FR.SIZE	280SM
SPEED	1480 RPM.

CONNECTIONS

ITEM	DESCRIPTION	SIZE(NPT)
GD	GLAND DRAIN	3/4"
CG	COMPOUND GAUGE FOR SUCTION	3/8"
PC	PRESSURE GAUGE FOR DELIVERY	3/8"
AC	AIR COCK	3/8"
PM	PRMING	1"
CSD	CASING DRAIN(SUCTION SIDE)	3/4"
CD	CASING DRAIN(DELIVERY SIDE)	3/4"

* GAUGE CONNECTIONS OBLIG AND SHOWN ONLY WHEN ESPECIALLY REQUIRED BY THE CUSTOMER.

S	PN	16	340	285	24	12, #22	—	—	—	—	—	—	—	—	—	—	—	—	—	—	
D	PN	16					340	285	24	12, #22	—	—	—	—	—	—	—	—	—	—	
REF. TYPE OF NO. FLANGE		O.D. P.C.D. MIN OF HOLE		SIZE OF HOLE		RF THK		RF THK		RF THK		RF THK		RF THK		RF THK		RF THK		RF THK	
SUCTION - #200		DELIVERY - #200		THK NO. MIN OF HOLE		P.C.D. MIN OF HOLE		RF THK		RF THK		RF THK		RF THK		RF THK		RF THK		RF THK	

DRN	10.11.17	DRG. NO.	
CHKD	10.11.17	PSF/8HS17/MGA-01	
APPD	10.11.17		

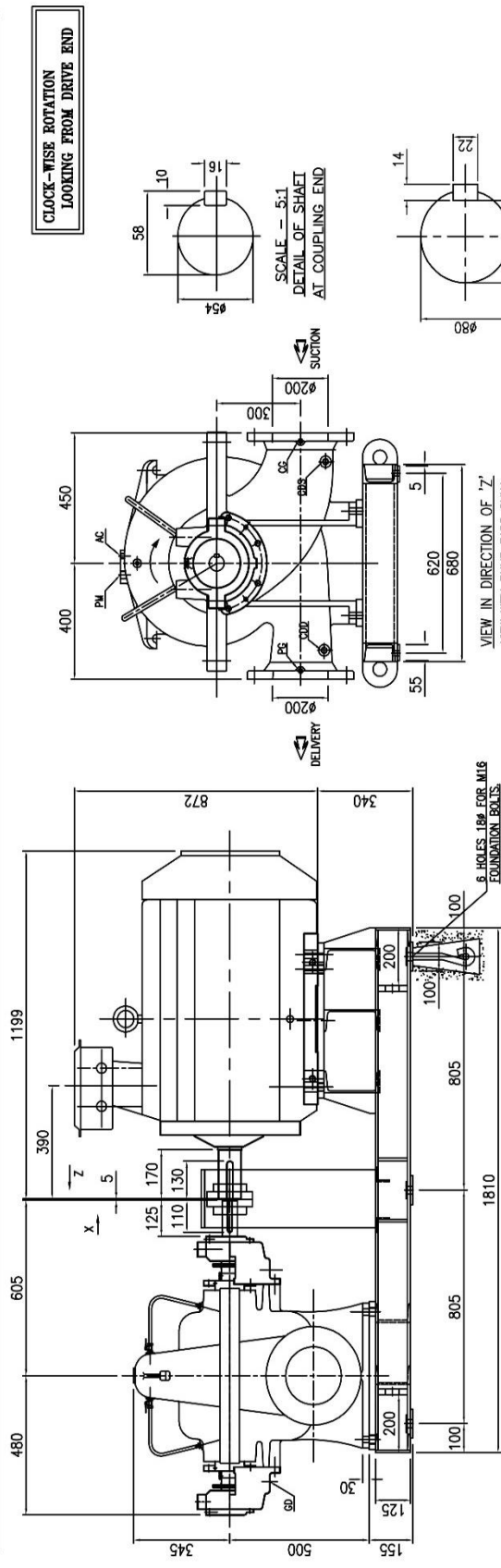
PUMPSENSE

TITLE- GA DRAWING FOR 8HS17 WITH 90KW ABB MOTOR FRAME SIZE 280SM TYPE-2

SCALE 1:1

REV 0

GENERAL ARRANGEMENT DRAWING FOR SINGLE STAGE AXIALLY SPLIT CASE PUMP 8HS17 WITH 125KW ABB MOTOR IN FRAME SIZE 315SM



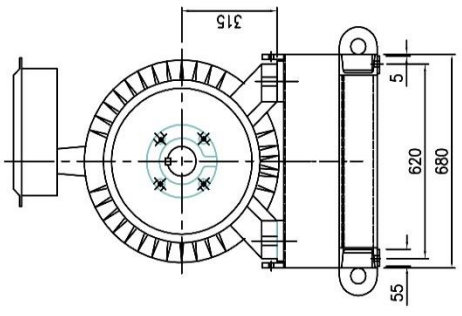
CLOCK-WISE ROTATION
LOOKING FROM DRIVE END

APPROXIMATE WEIGHTS IN KGS.

PUMP	615
MOTOR	980
BED PLATE	205
COUPLING & GAIRD	22
TOTAL WEIGHT	1802

MOTOR DETAILS

MAKE	ABB
TYPE	TEFC.
KW	125
FR-SIZE	315SM
SPEED	1480 RPM.



CONNECTIONS

ITEM	DESCRIPTION	SIZE (NPT)
GD	GLAND DRAIN	3/4"
CG	COMPOUND GAUGE FOR SUCTON	3/8"
PG	PRESSURE GAUGE FOR DELIVERY	3/8"
AC	AIR COCK	3/8"
PM	FRAMING	1"
ODS	CASING DRAIN(SUCTON SIDE)	3/4"
ODD	CASING DRAIN(DELIVERY SIDE)	3/4"

== MAKE CONNECTIONS GAUARD AND WAPROD ONLY
== BEAR SPECIFICALLY INDICATED BY THE CUSTOMER.

S	PN 16	340	285	24	12, φ22	—	—	—	—
D	PN 16	—	—	340	285	24	12, φ22	—	—
REF. TYPE OF NO. FLANGE	O.D.	P.C.D.	THK NO. MIN OF HOLE	SIZE OF HOLE	REF. THK	SIZE OF HOLE	REF. THK	MIN OF HOLE	REF. THK
SUCTON - φ200									
DELIVERY - φ200									

REV	DESCRIPTION	DRN	CHKD	DATE	APPD	DES	SCALE	REV
0							1:1	

TITLE- GA DRAWING FOR 8HS17 WITH 125KW ABB MOTOR FRAME SIZE 315SM

PUMPSENSE

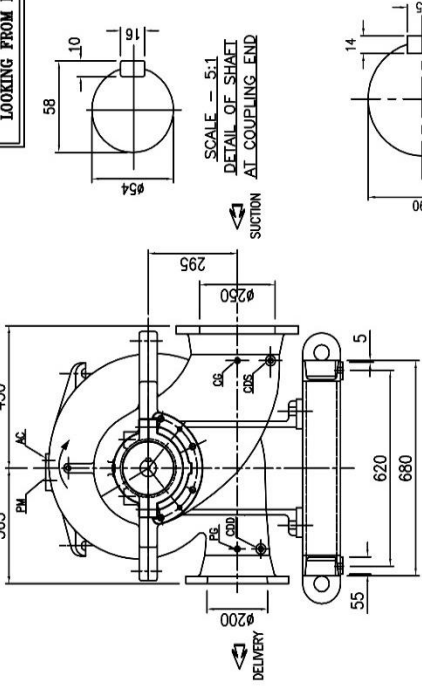
VIEW IN DIRECTION OF 'Z'
VIEW WITH PUMP ENDS ONLY

VIEW IN DIRECTION OF 'X'
VIEW MOTOR ENDS ONLY

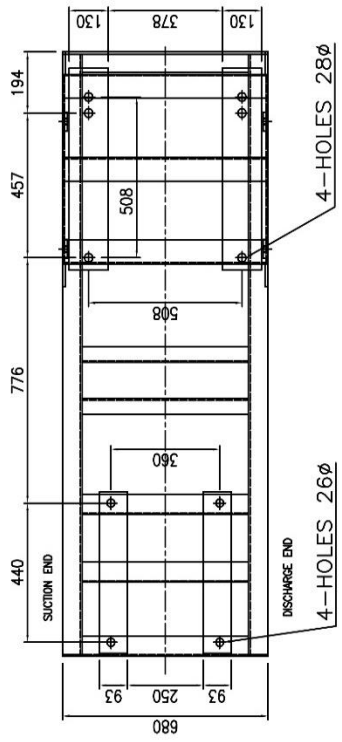
DRN	10.11.17	DRG. NO.	
CHKD	10.11.17	PSF/8HS17/MGA-01	

GENERAL ARRANGEMENT DRAWING FOR SINGLE STAGE AXIALLY SPLIT CASE PUMP 8HS18TA WITH 150KW ABB MOTOR IN FRAME SIZE 315ML

CLOCK-WISE ROTATION
LOOKING FROM DRIVE END



6 HOLES 186 FOR M16 FOUNDATION BOLTS.



TOP VIEW OF BASE PLATE

VIEW IN DIRECTION OF ' X ' VIEW MOTOR PADS ONLY

APPROXIMATE WEIGHTS IN Kgs.

PUMP	615
MOTOR	1110
BED PLATE	222
COUPLING & GAURD	20
TOTAL WEIGHT	1967

MOTOR DETAILS

MAKE	ABB
TYPE	TEFC.
KW	150
FR.SIZE	315ML
SPEED	1480 RPM.

CONNECTIONS		SIZE(NPT)
GM	GLAND DRAIN	3/4"
CG	COMPOUND GAUGE FOR SUCTION	3/8"
PG	PRESSURE GAUGE FOR DELIVERY	3/8"
AC	AIR COCK	3/8"
PM	PRIMING	1"
CDI	CASING DRAIN(SUCTION SIDE)	3/4"
CDO	CASING DRAIN(DELIVERY SIDE)	3/4"

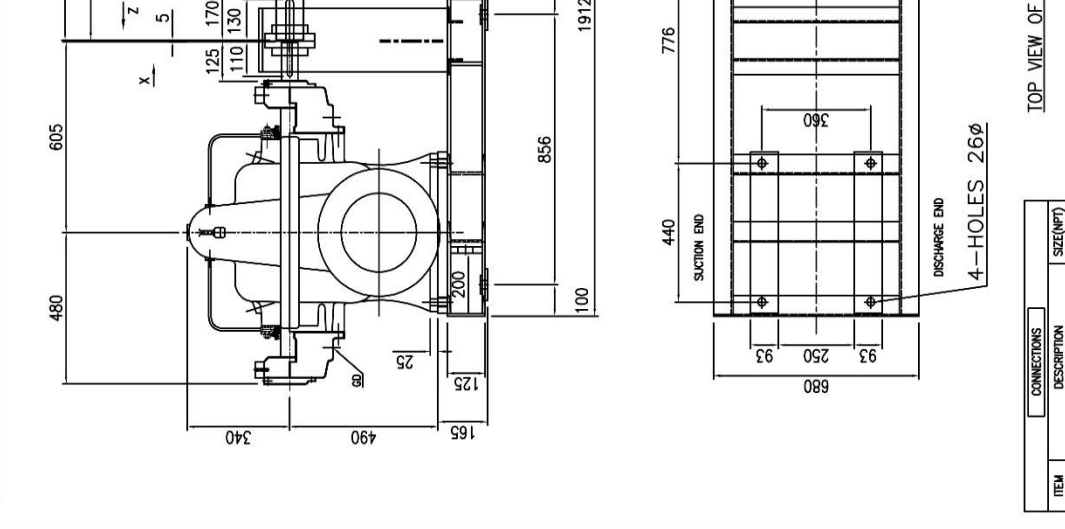
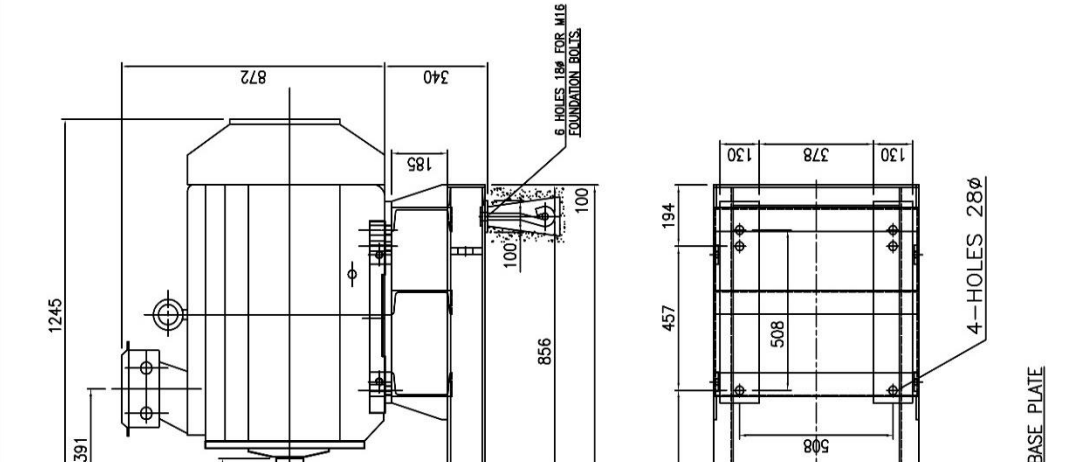
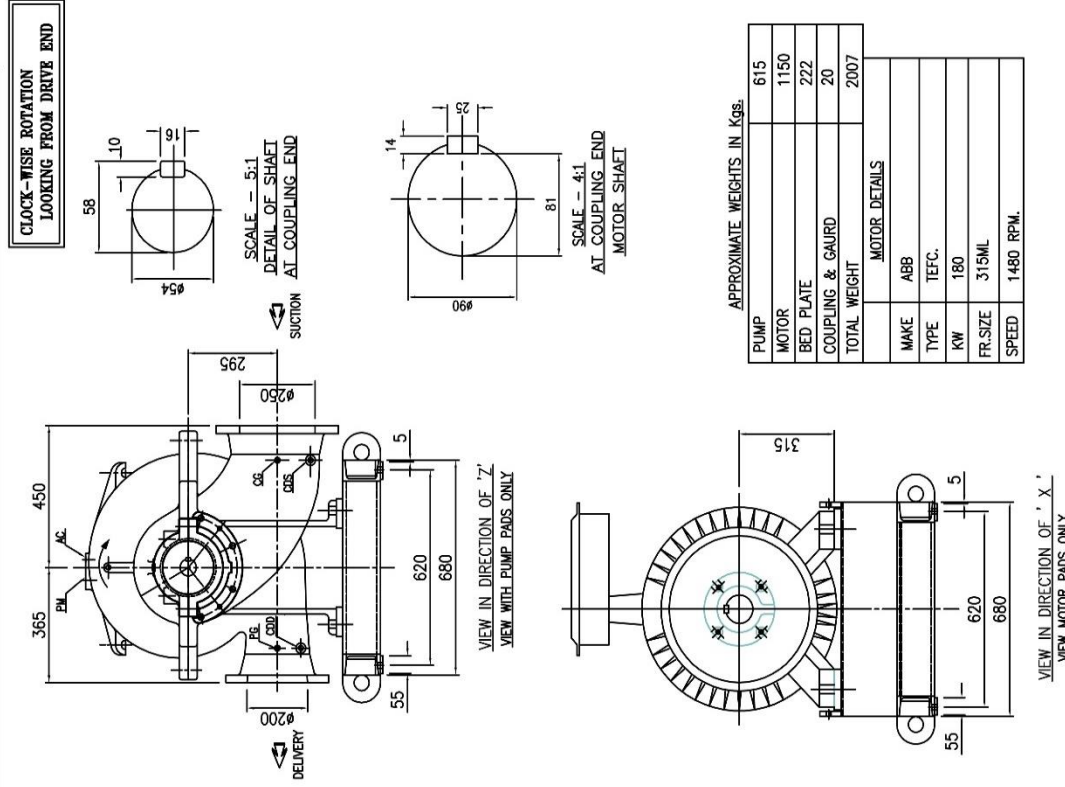
DRN	10.11.17	DRG. NO.	
CHKD	10.11.17	APPD	
TITLE	GA DRAWING FOR 8HS18TA WITH 150KW ABB MOTOR FRAME SIZE 315ML TYPE-2		
SCALE	1:1		
REV	0		

REV	DESCRIPTION	DRN	CHKD	DATE

S	PN	16	405	355	28	12	φ28	—	—	—
D	PN	16			340	295	24	12	φ22	—
REF.	TYPE OF FLANGE	O.D.	P.C.D.	THK	NO. SIZE	RF	THK	NO. SIZE	RF	THK
NO.	FLANGE	MIN OF HOLE	P.C.D.	MIN OF HOLE	RF	RF	FLANGE	MIN OF HOLE	RF	FLANGE

ALL DIMENSIONS UNLESS SPECIFIED OTHERWISE ARE IN MILLIMETERS

GENERAL ARRANGEMENT DRAWING FOR SINGLE STAGE AXIALLY SPLIT CASE PUMP 8HS18TA WITH 180KW ABB MOTOR IN FRAME SIZE 315ML



ITEM	DESCRIPTION	SIZE(NPT)
GD	GLAND DRAIN	3/4"
CC	COMPOUND GAUGE FOR SUCTION	3/8"
PC	PRESSURE GAUGE FOR DELIVERY	3/8"
AC	AIR COCK	3/8"
PM	PRIMING	1"
CDS	CASING DRAIN(SUCTION SIDE)	3/4"
CD	CASING DRAIN(DELIVERY SIDE)	3/4"

ALL WELD CONNECTIONS SHALL BE MADE ONLY WITH ERW ELECTRODE AS SPECIFIED IN THE CONTRACT.

APPROXIMATE WEIGHTS IN Kgs.

PUMP	615
MOTOR	1150
BED PLATE	222
COUPLING & GAURD	20
TOTAL WEIGHT	2007

MOTOR DETAILS

MAKE	ABB
TYPE	TEFC.
KW	180
FR.SIZE	315ML
SPEED	1480 RPM.

REV	DESCRIPTION	DRN	CHKD	DATE	APPD	BY	DATE
0							

PN	16	406	355	26	12, #26	340	295	24	12, #22
S	REF. NO.	O.D.	P.C.D.	MIN OF HOLE	REF FLANGE	O.D.	P.C.D.	MIN OF HOLE	REF FLANGE
D	THK.	NO.	SIZE	REF.	THK	NO.	SIZE	REF.	THK

DELIVERY - $\phi 200$

SUCTION - $\phi 250$

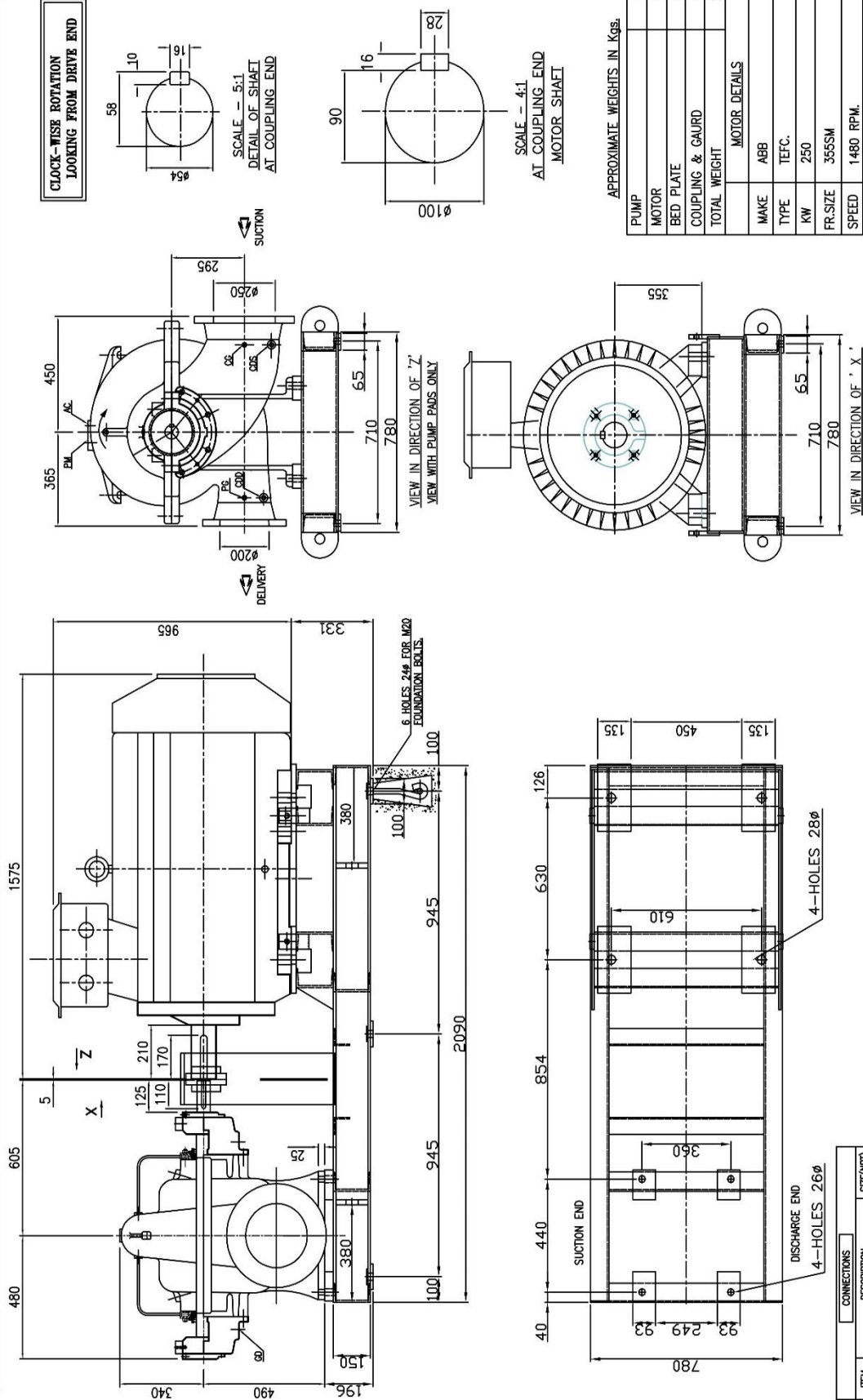
TOP VIEW OF BASE PLATE

CONNECTIONS	SIZE(NPT)
GD	3/4"
CC	3/8"
PC	3/8"
AC	3/8"
PM	1"
CDS	3/4"
CD	3/4"

TITLE: GA DRAWING FOR 8HS18TA WITH 180KW ABB MOTOR FRAME SIZE 315ML TYPE-3
SCALE 1:1

DRN: CHKO 15.01.19
ST: PSF/8HS18TA/MGA-01
APPD: 15.01.19
REV: 0

GENERAL ARRANGEMENT DRAWING FOR SINGLE STAGE AXIALLY SPLIT CASE PUMP 8HS18TA WITH 250KW ABB MOTOR IN FRAME SIZE 355SM



APPROXIMATE WEIGHTS IN Kgs.

PUMP	615
MOTOR	1620
BED PLATE	247
COUPLING & GAIRD	22
TOTAL WEIGHT	2504

MOTOR DETAILS	
MAKE	ABB
TYPE	TEFC.
KW	250
FR.SIZE	355SM
SPEED	1480 RPM.

CONNECTIONS		SIZE (NPT)	
GM	CLAND DRAIN	3/4"	
CG	COMPOUND GAUGE FOR SUCTION	3/8"	
PG	PRESSURE GAUGE FOR DELIVERY	3/8"	
AC	AIR COCK	3/8"	
PM	PRMING	1"	
CDS	CASING (FRAN/SUCTION SIDE)	3/4"	
CDI	CASING (FRAN/DELIVERY SIDE)	3/4"	

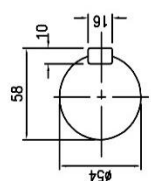
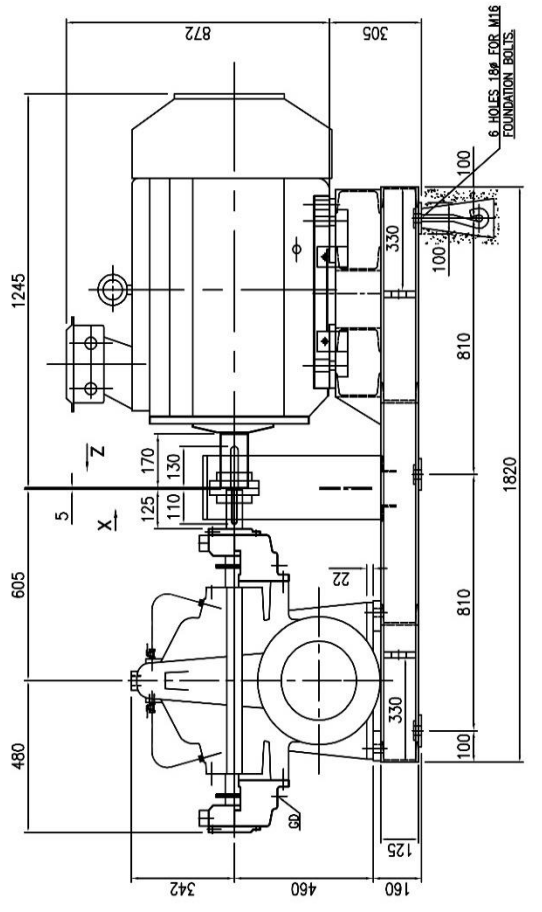
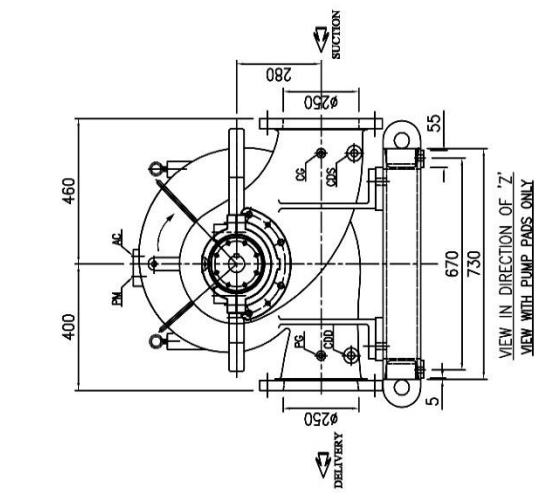
TOP VIEW OF BASE PLATE		SUCTION - Ø250		DELIVERY - Ø200	
S	PN 16	405	355	26	12, Ø26
D	PN 16			340	295
REF.	TYPE OF NO.	O.D.	P.C.D.	THK NO.	SIZE OF THK
		MIN OF HOLE	RF FLANGE	MIN OF HOLE	RF FLANGE

ITEM	DESCRIPTION	REV	DESCRIPTION	DRN (CHKD)	DATE

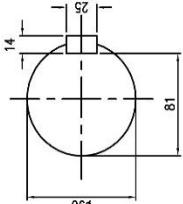
TITLE- GA DRAWING FOR 8HS18TA WITH 250KW ABB MOTOR FRAME SIZE 355SM TYPE-1	
DRN	30.12.17
CHKD	30.12.17
APPD	30.12.17
DRG. NO. PSF/8HS18TA/MGA-01	
SCALE	1:1
REV	0

GENERAL ARRANGEMENT DRAWING FOR SINGLE STAGE AXIALLY SPLIT CASE PUMP 8HS18TB WITH 150KW ABB MOTOR IN FRAME SIZE 315ML

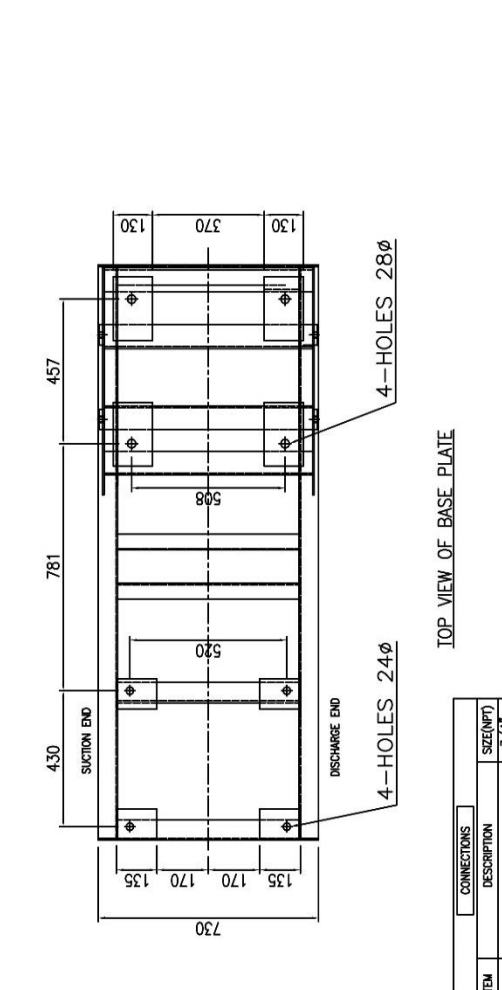
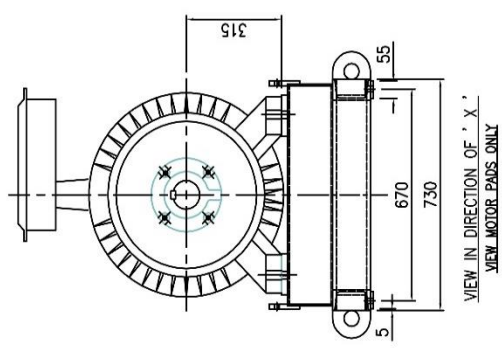
CLOCK-WISE ROTATION
LOOKING FROM DRIVE END



SCALE - 5:1
DETAIL OF SHAFT
AT COUPLING END



SCALE - 4:1
AT COUPLING END
MOTOR SHAFT



APPROXIMATE WEIGHTS IN Kgs.

PUMP	566
MOTOR	1110
BED PLATE	187
COUPLING & GAIRD	20
TOTAL WEIGHT	1903

MOTOR DETAILS

MAKE	ABB
TYPE	TEFC.
KW	150
FR.SIZE	315ML
SPEED	1480 RPM.

TOP VIEW OF BASE PLATE

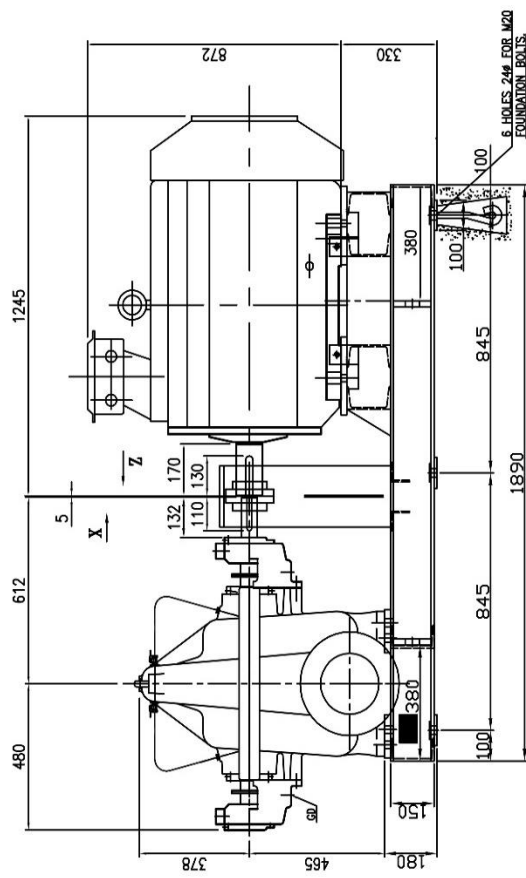
ITEM	DESCRIPTION	SIZE(NPT)
GD	GLAND DRAIN	3/4"
CC	COMPOUND GAUGE FOR SUCTION	3/8"
PG	PRESSURE GAUGE FOR DELIVERY	3/8"
AC	AIR COCK	3/8"
PM	FRIMING	1"
CDS	CASING DRAIN(SUCTION SIDE)	3/4"
CDD	CASING DRAIN(DELIVERY SIDE)	3/4"

NOTE: CONNECTIONS, DRILLING AND TAPPING ONLY
BEFORE ASSEMBLY IS MOUNTED ON THE FOUNDATION.

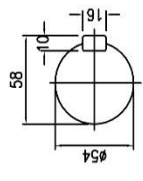
S	PN 16	406	355	28	12	φ28	—	—	—	—	—	—	—
D	PN 16	—	—	405	355	28	12	φ26	—	—	—	—	—
REF. TYPE OF NO. FLANGE	O.D.	P.C.D.	THK NO. SIZE OF MIN OF HOLE	RF FLANGE	RF FLANGE	RF FLANGE	RF FLANGE	THK NO. SIZE OF MIN OF HOLE	RF THK	RF THK	RF THK	RF THK	RF THK
REF. TYPE OF NO. FLANGE	RF FLANGE	RF FLANGE	RF FLANGE	RF FLANGE	RF FLANGE	RF FLANGE	RF FLANGE	RF FLANGE	RF THK	RF THK	RF THK	RF THK	RF THK
SUCTION - φ250											DELIVERY - φ250		

DRN	10.11.17	DRG. NO.	0
CHKD	10.11.17	PSF/8HS18TB/MGA-01	0
APPRD	10.11.17	1:1	0

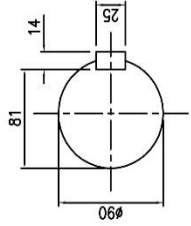
GENERAL ARRANGEMENT DRAWING FOR SINGLE STAGE AXIALLY SPLIT CASE PUMP 8HS21S WITH 200KW ABB MOTOR IN FRAME SIZE 315ML



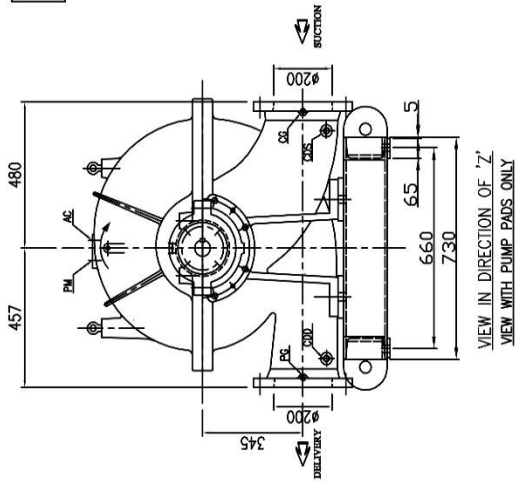
CLOCK-WISE ROTATION
LOOKING FROM DRIVE END



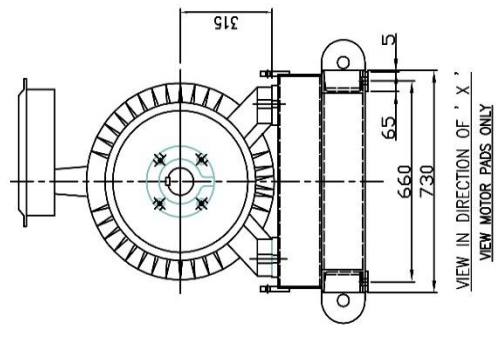
SCALE - 5:1
SHAFT DETAIL AT
COUPLING END



SCALE - 4:1
AT COUPLING END
MOTOR SHAFT



VIEW IN DIRECTION OF 'Z'
VIEW WITH PUMP PADS ONLY



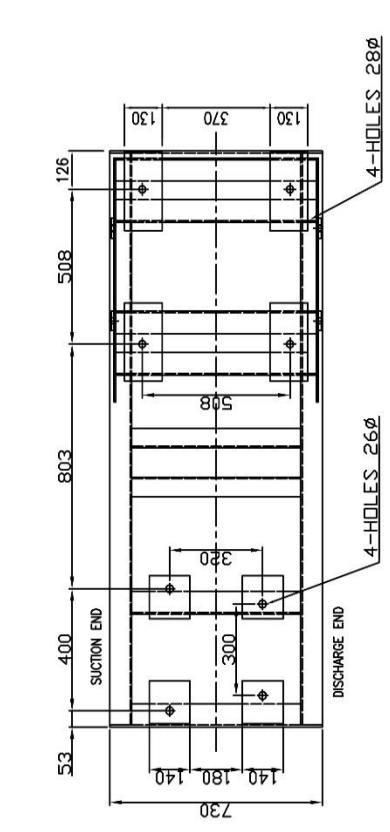
VIEW IN DIRECTION OF 'X'
VIEW MOTOR PADS ONLY

APPROXIMATE WEIGHTS IN KGS.

PUMP	742
MOTOR	1260
BED PLATE	222
COUPLING & GAIRD	25
TOTAL WEIGHT	2249

MOTOR DETAILS

MAKE	ABB
TYPE	TEFC.
KW	200
FR.SIZE	315ML
SPEED	1480 RPM.



TOP VIEW OF BASE PLATE

ITEM	DESCRIPTION	SIZE(NPT)
GD	GLAND DRAIN	3/4"
CG	COMPOUND GAUGE FOR SUCTION	3/8"
PG	PRESSURE GAUGE FOR DELIVERY	3/8"
AC	AIR COCK	3/8"
PM	PRIMING	1"
CDS	CASING DRAIN(SUCTION SIDE)	3/4"
CDD	CASING DRAIN(DELIVERY SIDE)	3/4"

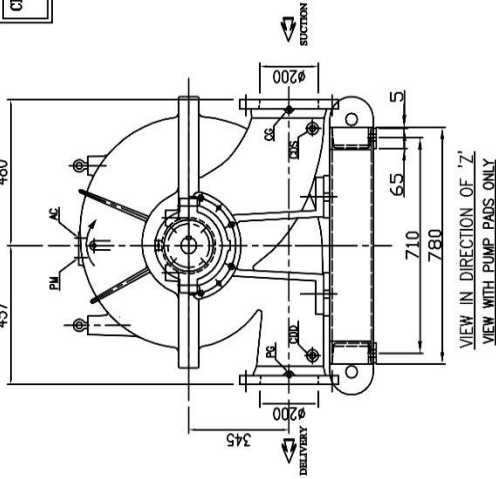
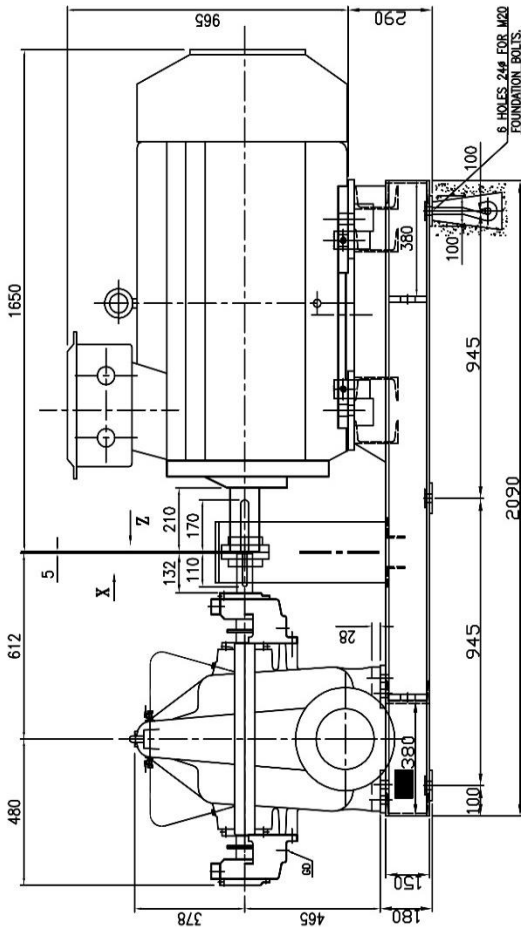
IF GAUGE CONNECTIONS ARE USED AND LABELS ONLY BEING SPECIFICALLY REQUESTED BY THE CUSTOMER

SUCTION - ϕ 200					DELIVERY - ϕ 200				
S	PN	16	340	295	24 1/2, ϕ 22	---	---	---	---
D	PN	16	---	340	295	24 1/2, ϕ 22	---	---	---
REF. NO.	TYPE OF FLANGE	O.D.	P.C.D.	MIN OFF HOLE	RF THK	O.D.	P.C.D.	MIN OFF HOLE	RF THK

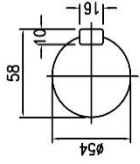
PUMPSENSE

TITLE	GA DRAWING FOR BUS21S WITH 200KW ABB MOTOR FRAME SIZE 315ML
SCALE	1:1
DRN	12.12.17
CHKD	12.12.17
APPD	12.12.17
DRG. NO.	PSF/8HS21S/MGA-01
REV	0

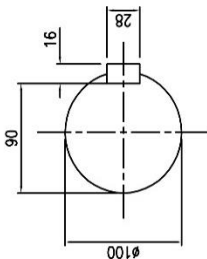
GENERAL ARRANGEMENT DRAWING FOR SINGLE STAGE AXIALLY SPLIT CASE PUMP 8HS21S WITH 315KW ABB MOTOR IN FRAME SIZE 355ML



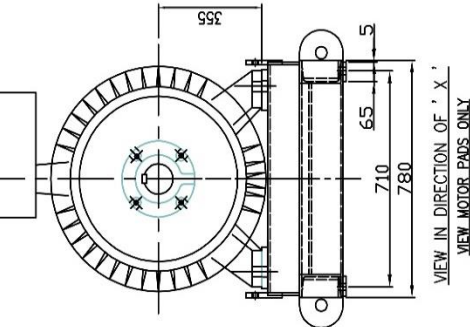
CLOCK-WISE ROTATION
LOOKING FROM DRIVE END



SCALE - 5:1
SHAFT DETAIL AT
COUPLING END



SCALE - 4:1
AT COUPLING END
MOTOR SHAFT



TOP VIEW OF BASE PLATE

CONNECTIONS		SIZE(NPT)
GD	GLAND DRAIN	3/4"
CG	COMPOUND GAUGE FOR SUCTION	3/8"
PG	PRESSURE GAUGE FOR DELIVERY	3/8"
AC	AIR COCK	3/8"
PM	PRIMING	1"
CS	CASING DRAIN(SUCTION SIDE)	3/4"
CD	CASING DRAIN(DELIVERY SIDE)	3/4"

ALL BASE CONNECTIONS SHOWN AND LISTED ARE FOR THE CUSTOMER'S REFERENCE ONLY.

APPROXIMATE WEIGHTS IN KGS.

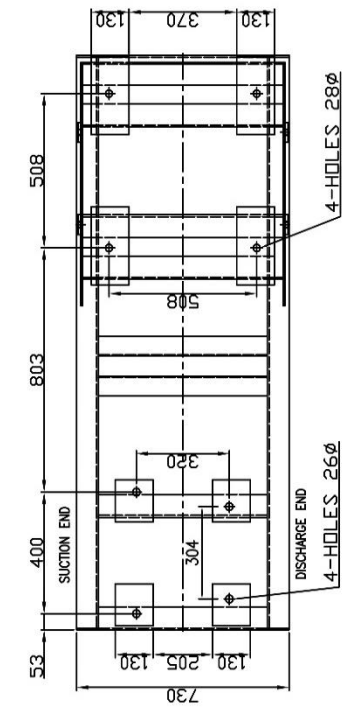
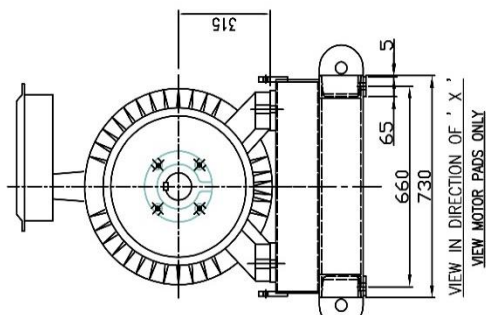
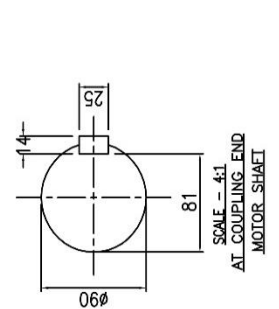
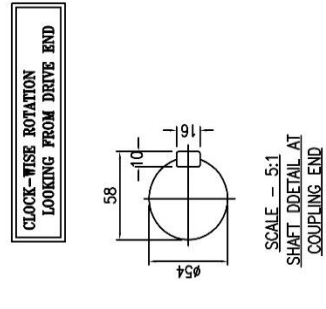
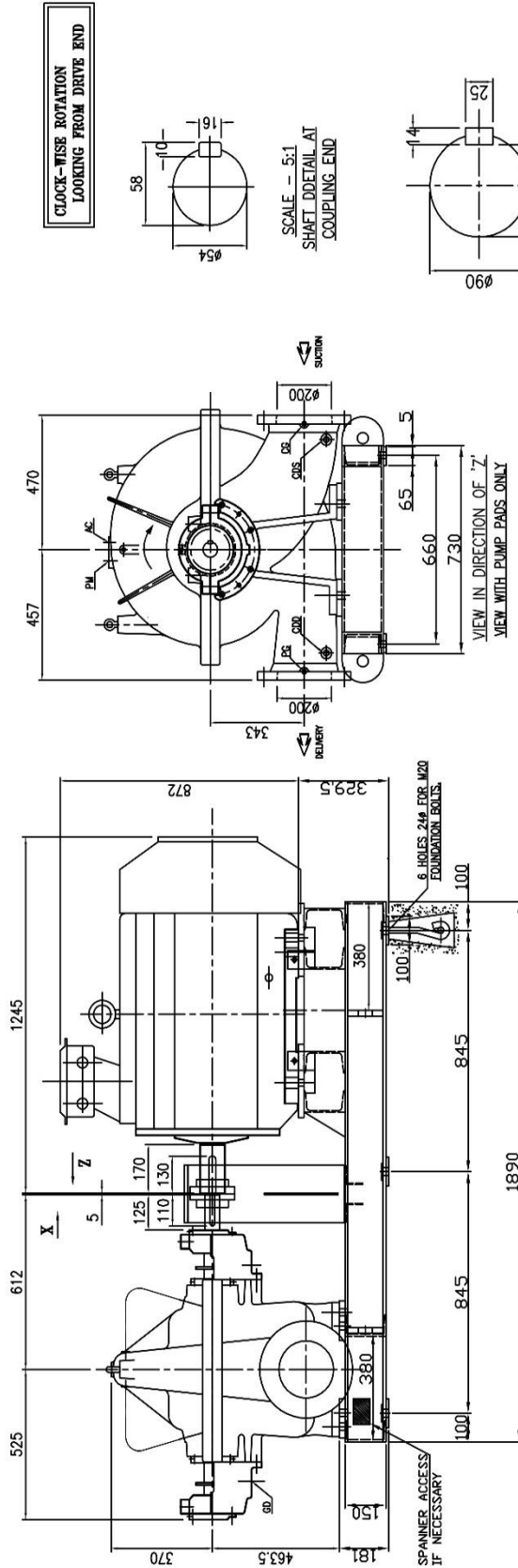
PUMP	742
MOTOR	1870
BED PLATE	235
COUPLING & GAIRD	25
TOTAL WEIGHT	2872

MOTOR DETAILS	
MAKE	ABB
TYPE	TEFC.
KW	315
FR.SIZE	355ML
SPEED	1480 RPM.

ITEM NO.	DESCRIPTION	SUCTION - Ø200		DELIVERY - Ø200	
		REF. NO.	THK. MIN.	O.D.	P.C.D. MIN.
S	PN 16	340	295	24 1/2	Ø22
D	PN 16	340	295	24 1/2	Ø22

PUMPSENSE			
TITLE	DATE	DRN	APPD
GA DRAWING FOR 8HS21S WITH 315KW ABB MOTOR FRAME SIZE 355ML	12.12.17	ST	MS
SCALE	1:1	REV	0

GENERAL ARRANGEMENT DRAWING FOR SINGLE STAGE AXIALLY SPLIT CASE PUMP 8HS21TA WITH 200KW ABB MOTOR IN FRAME SIZE 315ML



TOP VIEW OF BASE PLATE

APPROXIMATE WEIGHTS IN KGS.	
PUMP	689
MOTOR	1260
BED PLATE	220
COUPLING & GAIRD	20
TOTAL WEIGHT	2199

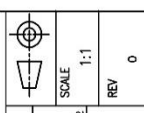
MOTOR DETAILS	
MAKE	ABB
TYPE	TEFC.
KW	200
FR-SIZE	315ML
SPEED	1480 RPM.

CONNECTIONS	
ITEM	DESCRIPTION
GD	GUMD DRAIN
CG	COMPOUND GAUGE FOR SUCTION
PG	PRESSURE GAUGE FOR DELIVERY
AC	AIR COOK
PM	PRMING
CDS	CASING DRAIN(SUCTION SIDE)
CDD	CASING DRAIN(DELIVERY SIDE)

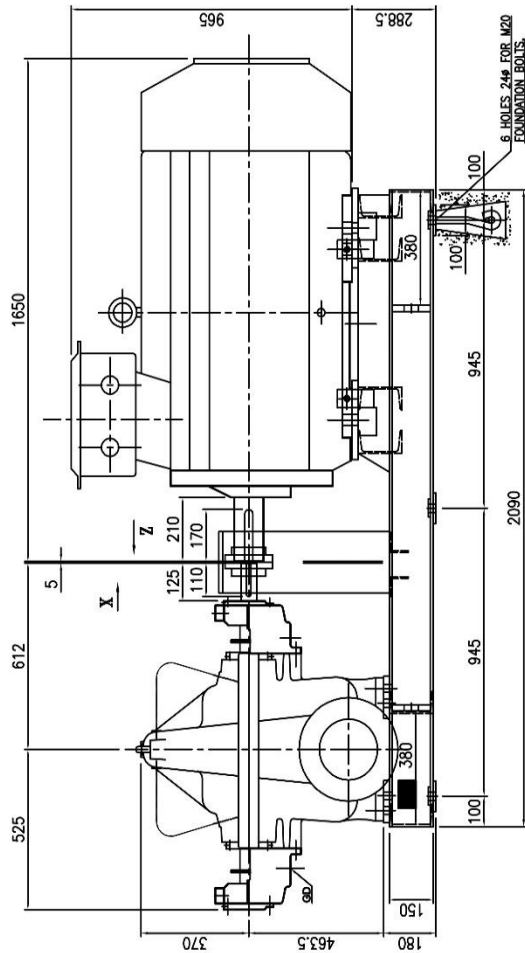
S	PN 16	340	295	24 1/2, Ø22	—	—	—	—	—
D	PN 16	—	—	—	340	295	24 1/2, Ø22	—	—
REF.	NO. OF O.D. FLANGE	THK MIN	P.C.D. MIN	ØRF. THK	ØRF. THK	ØRF. THK	ØRF. THK	ØRF. THK	ØRF. THK
	NO.	MIN	MIN	MIN	MIN	MIN	MIN	MIN	MIN

REV	DESCRIPTION	DRN	CHKD	DATE	APPD	INSTR	SCALE
0							1:1

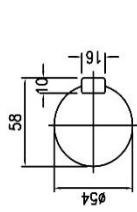
PUMPSENSE	
TITLE	GEN DRAWING FOR 8HS21TA WITH 200KW ABB MOTOR FRAME SIZE 315ML TYPE-2
DRN	22.12.17
CHKD	22.12.17
APPD	22.12.17
INSTR	PSF/8HS21TA/MGA-01
SCALE	1:1
REV	0



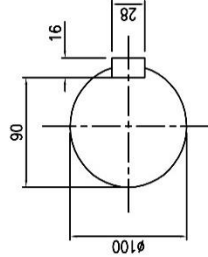
GENERAL ARRANGEMENT DRAWING FOR SINGLE STAGE AXIALLY SPLIT CASE PUMP 8HS21TA WITH 315KW ABB MOTOR IN FRAME SIZE 355ML



CLOCK-WISE ROTATION
LOOKING FROM DRIVE END

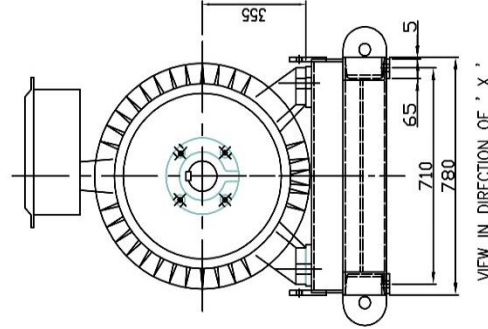


SCALE - 5:1
SHAFT DETAIL AT
COUPLING END



SCALE - 4:1
AT COUPLING END
MOTOR SHAFT

VIEW IN DIRECTION OF 'Z'
VIEW WITH PUMP PADS ONLY



TOP VIEW OF BASE PLATE

VIEW IN DIRECTION OF 'X'
VIEW MOTOR PADS ONLY

APPROXIMATE WEIGHTS IN KGS.	
PUMP	699
MOTOR	1870
BED PLATE	233
COUPLING & GAURD	25
TOTAL WEIGHT	2827

MOTOR DETAILS	
MAKE	ABB
TYPE	TEFC.
KW	315
FR.SIZE	355ML
SPEED	1480 RPM.

CONNECTIONS		
ITEM	DESCRIPTION	SIZE(NPT)
GD	GLAND DRAIN	3/4"
CG	COMPOUND GAUGE FOR SUCTION	3/8"
PG	PRESSURE GAUGE FOR DELIVERY	3/8"
AC	AIR COCK	3/8"
PM	PRIMING	1"
CDS	CASING DRAIN(SUCTION SIDE)	3/4"
CDL	CASING DRAIN(DELIVERY SIDE)	3/4"

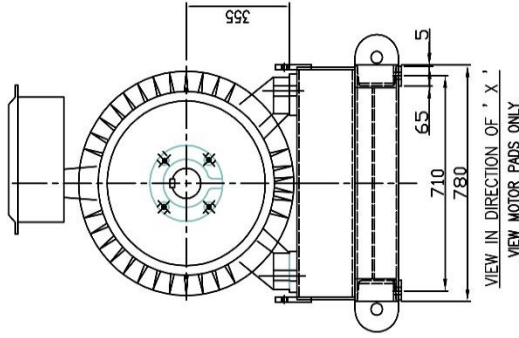
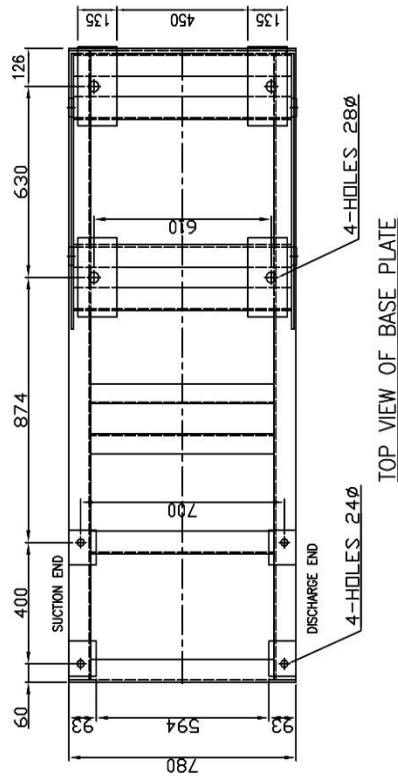
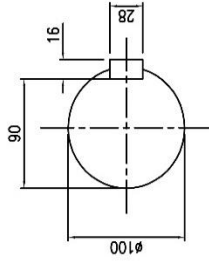
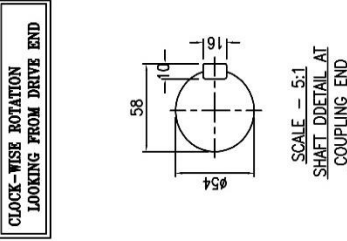
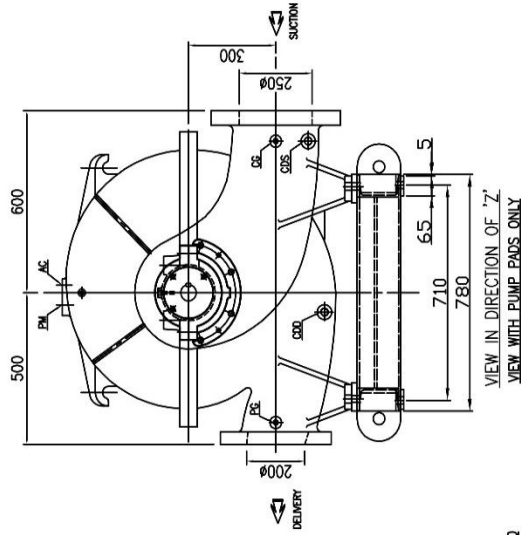
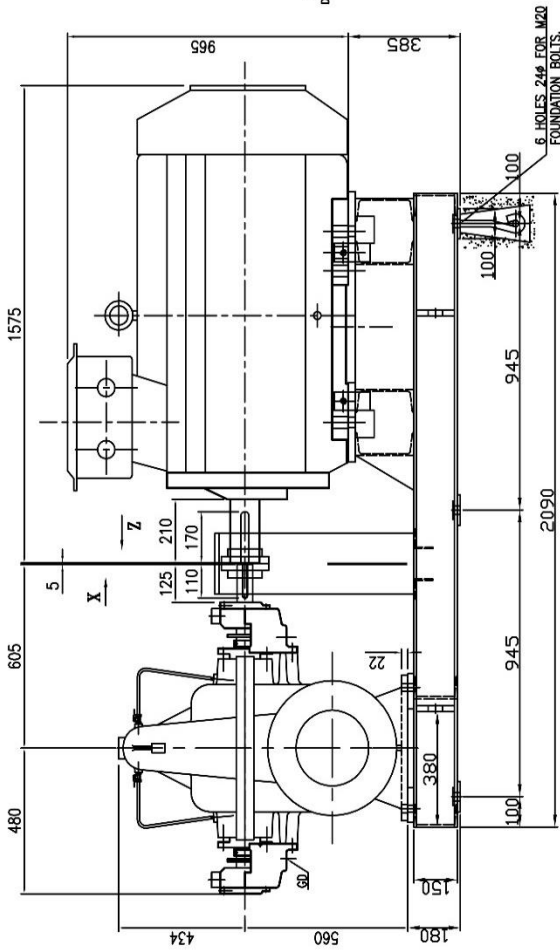
NOTE: CONNECTIONS (GALV. AND LABELS) ONLY
SHOWN SPECIFICALLY INDICATED BY THE CUSTOMER.

S	PN	16	340	295	24	12	Ø22	—	—	—	—	—	—	—	—	—	—
D	PN	16	—	340	295	24	12	Ø22	—	—	—	—	—	—	—	—	—
REF. NO.	TYPE OF FLANGE	O.D.	P.C.D.	MIN OFF HOLE	RF THK	Ø	RF THK	Ø	RF THK	Ø	RF THK	MIN OFF HOLE	RF THK	Ø	RF THK	MIN OFF HOLE	RF THK

DESCRIPTION	REV	DRN	CHKD	DATE

PUMPSENSE			
TITLE:	GA DRAWING FOR 8HS21TA WITH 315KW ABB MOTOR FRAME SIZE 355ML	SCALE	1:1
DRN	12.12.17	TYPE-1	REV
CHKD	12.12.17	DRG. NO.	0
APPD	12.12.17	PSF/8HS21TA/MGA-01	

GENERAL ARRANGEMENT DRAWING FOR SINGLE STAGE AXIALLY SPLIT CASE PUMP 8HS21TAK WITH 250KW ABB MOTOR IN FRAME SIZE 355SSM



APPROXIMATE WEIGHTS IN KGS.

PUMP	805
MOTOR	1620
BED PLATE	260
COUPLING & GAIRD	25
TOTAL WEIGHT	2710

MOTOR DETAILS	
MAKE	ABB
TYPE	TEFC.
KW	250
FR.SIZE	355SSM
SPEED	1480 RPM.

ITEM	DESCRIPTION	SIZE(NPT)
GD	GLAND DRAIN	3/4"
CG	COMPOUND GAUGE FOR SUCTION	3/8"
PG	PRESSURE GAUGE FOR DELIVERY	3/8"
AC	AIR COCK	3/8"
PM	PRIMING	1"
CS	CASING DRAIN(SUCTION SIDE)	3/4"
CD	CASING DRAIN(DELIVERY SIDE)	3/4"

s	PN 16	405	355	28	12, #26	—	—	940	295	24	12, #22	—	—
d	PN 16												
REF.	TYPE OF O.D. P.C.D.	MIN. OF THK	NO. OF HOLES	SIZE OF MIN. OF HOLE	RF FLANGE	O.D. P.C.D.	MIN. OF HOLE	RF FLANGE	THK NO.	SIZE OF HOLE	RF THK	MIN OF HOLE	RF FLANGE

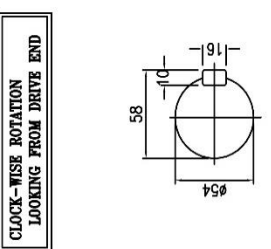
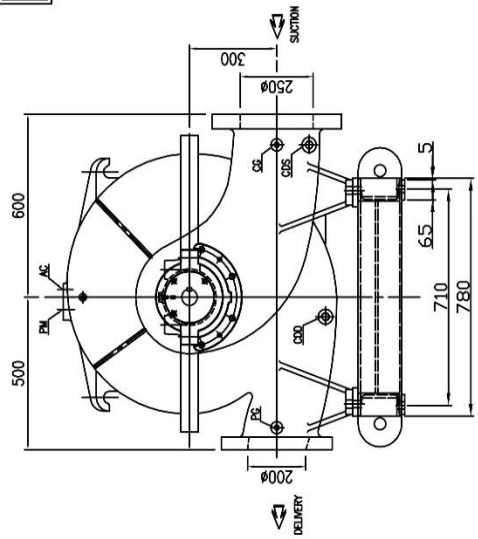
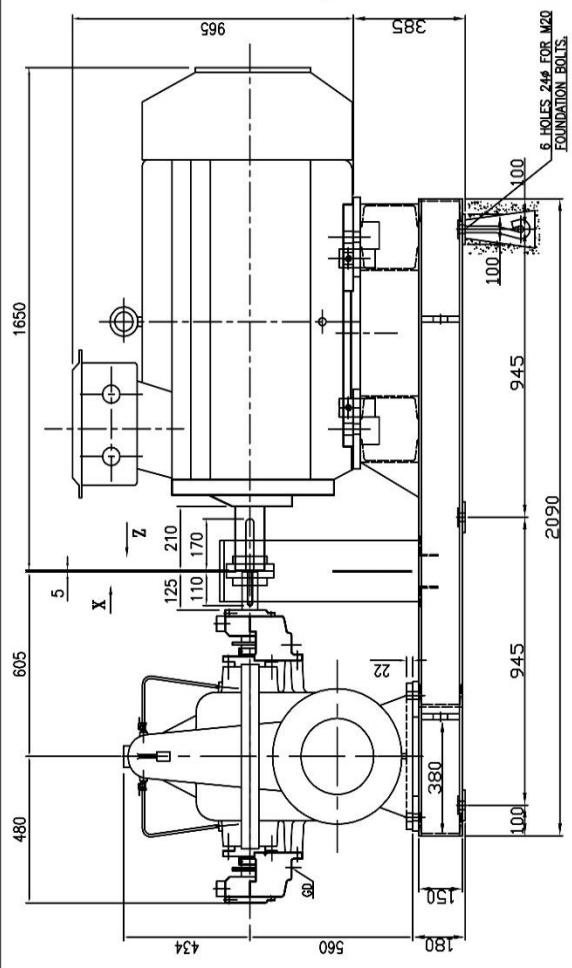
DELIVERY - ø200
SUCTION - ø250

REV	DESCRIPTION	DRN	CHKD	DATE

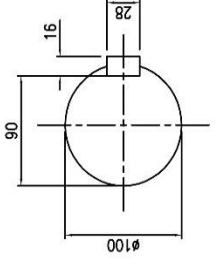
ITEM	DESCRIPTION	SIZE(NPT)
GD	GLAND DRAIN	3/4"
CG	COMPOUND GAUGE FOR SUCTION	3/8"
PG	PRESSURE GAUGE FOR DELIVERY	3/8"
AC	AIR COCK	3/8"
PM	PRIMING	1"
CS	CASING DRAIN(SUCTION SIDE)	3/4"
CD	CASING DRAIN(DELIVERY SIDE)	3/4"

TITLE	PUMP/SENSE	
EA DRAWING FOR 8HS21TAK WITH 250KW ABB MOTOR FRAME SIZE 355SSM TYPE-2	SCALE	1:1
DRN AD 28.12.17	DRG. NO.	
CHKD ST 28.12.17	PSF/8HS21TAK/MGA-01	
APPD HS 28.12.17	REV	0

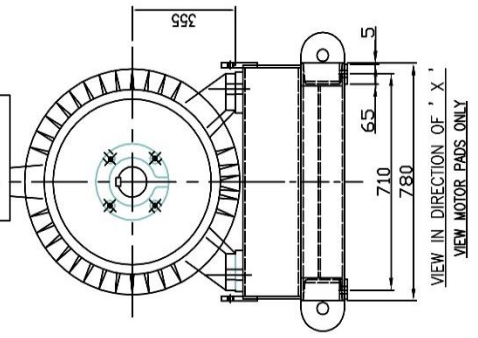
GENERAL ARRANGEMENT DRAWING FOR SINGLE STAGE AXIALLY SPLIT CASE PUMP 8HS21TAK WITH 315KW ABB MOTOR IN FRAME SIZE 355MML



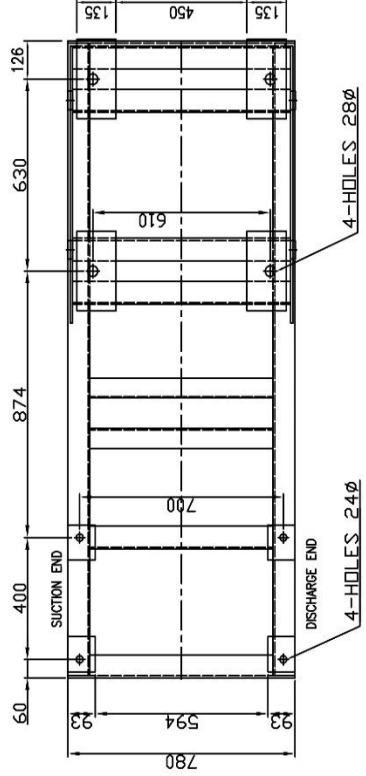
SCALE - 5:1
SHAFT DETAIL AT
COUPLING END



SCALE - 4:1
AT COUPLING END
MOTOR SHAFT



TOP VIEW OF BASE PLATE



APPROXIMATE WEIGHTS IN KGS.

PUMP	805
MOTOR	1870
BED PLATE	280
COUPLING & GAIRD	25
TOTAL WEIGHT	2960

MOTOR DETAILS

MAKE	ABB
TYPE	TEFC.
KW	315
FR.SIZE	355MML
SPEED	1480 RPM.

ITEM	DESCRIPTION	SIZE(NPT)
GD	GLAND DRAIN	3/4"
CG	COMPOUND GAUGE FOR SUCTION	3/8"
PG	PRESSURE GAUGE FOR DELIVERY	3/8"
AC	AIR COCK	3/8"
PM	PRIMING	1"
CDS	CASING DRAIN(SUCTION SIDE)	3/4"
CDI	CASING DRAIN(DELIVERY SIDE)	3/4"

IF MAKE CONNECTIONS, DELIVER AND JERREL ONLY
PLEASE SPECIFICALLY INDICATE IN THE CONNECTIONS

REV	DESCRIPTION	DRN	CHKD	DATE
0				

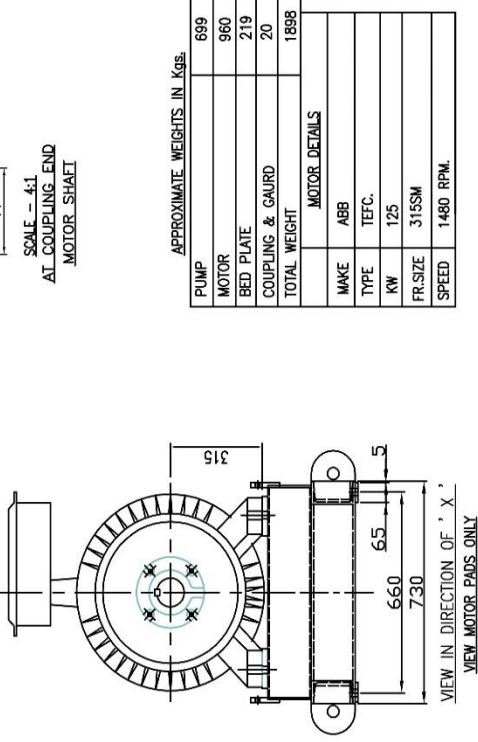
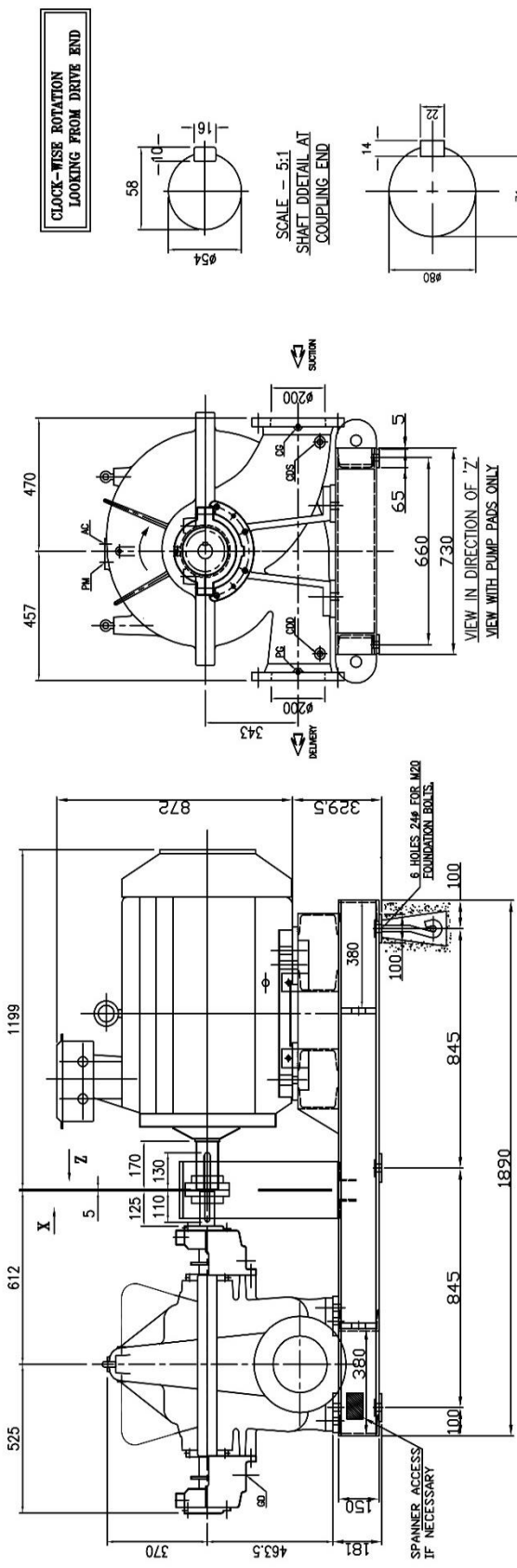
REV	DESCRIPTION	DRN	CHKD	DATE
0				

NO.	FLANGE	REF TYPE OF	O.D.	P.C.D.	THK	NO.	SIZE	RF	THK	NO.	SIZE	RF	THK	MIN	OF	HOLE	RF	FLANGE	
5	PN 16	406	355	26	12	#28	340	295	24	12	#22								
6	PN 16																		

CONNECTIONS	DESCRIPTION	SIZE(NPT)
GD	GLAND DRAIN	3/4"
CG	COMPOUND GAUGE FOR SUCTION	3/8"
PG	PRESSURE GAUGE FOR DELIVERY	3/8"
AC	AIR COCK	3/8"
PM	PRIMING	1"
CDS	CASING DRAIN(SUCTION SIDE)	3/4"
CDI	CASING DRAIN(DELIVERY SIDE)	3/4"

ITEM	DESCRIPTION	SIZE(NPT)
GD	GLAND DRAIN	3/4"
CG	COMPOUND GAUGE FOR SUCTION	3/8"
PG	PRESSURE GAUGE FOR DELIVERY	3/8"
AC	AIR COCK	3/8"
PM	PRIMING	1"
CDS	CASING DRAIN(SUCTION SIDE)	3/4"
CDI	CASING DRAIN(DELIVERY SIDE)	3/4"

GENERAL ARRANGEMENT DRAWING FOR SINGLE STAGE AXIALLY SPLIT CASE PUMP 8HS21TB WITH 125KW ABB MOTOR IN FRAME SIZE 315SM



CLOCK-WISE ROTATION
LOOKING FROM DRIVE END

SCALE - 5:1
SHAFT DETAIL AT
COUPLING END

SCALE - 4:1
AT COUPLING END
MOTOR SHAFT

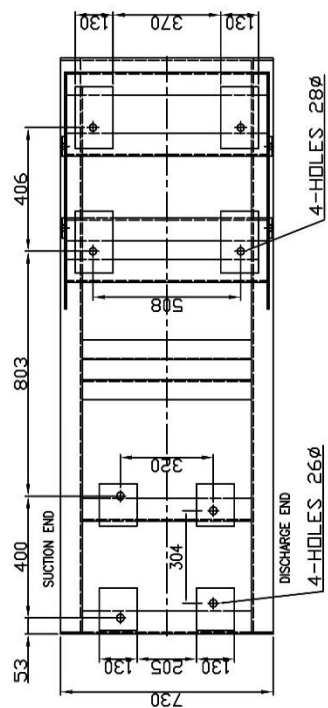
APPROXIMATE WEIGHTS IN KGS.

PUMP	689
MOTOR	960
BED PLATE	219
COUPLING & GAIRD	20
TOTAL WEIGHT	1898

MOTOR DETAILS

MAKE	ABB
TYPE	TEFC.
KW	125
FR-SIZE	315SM
SPEED	1480 RPM.

TOP VIEW OF BASE PLATE



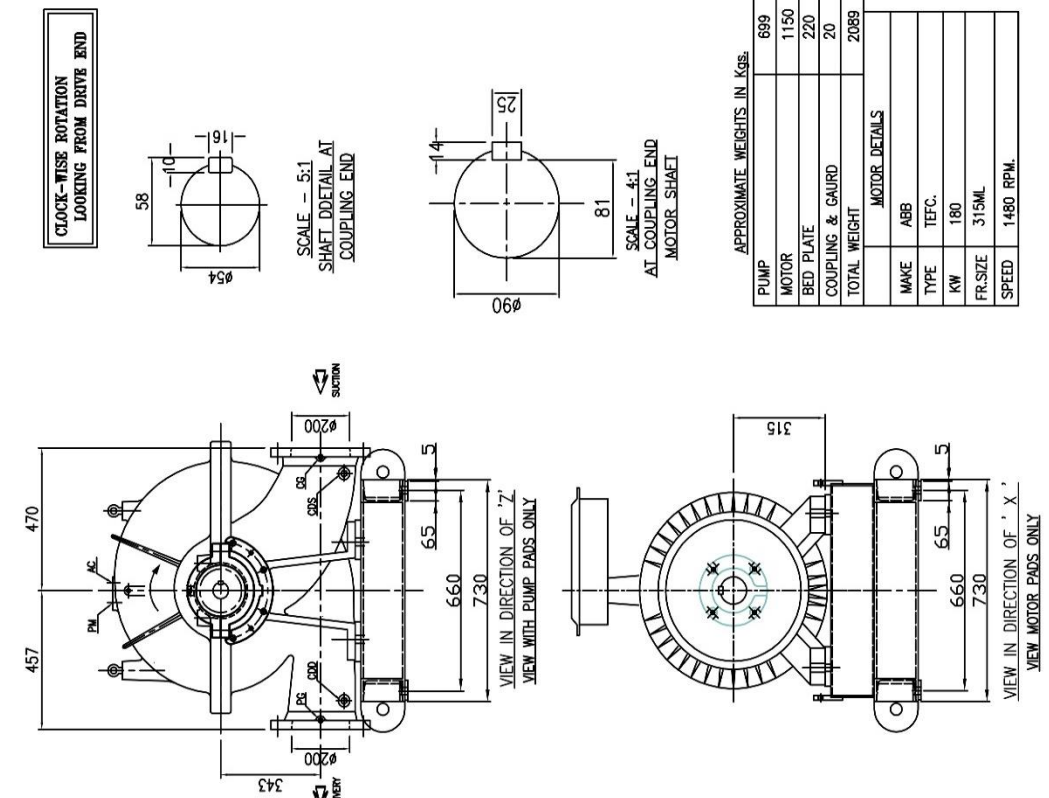
CONNECTIONS		SIZE(NPT)
GD	GLAND DRAIN	3/4"
CG	COMPOUND GAUGE FOR SUCTION	3/8"
PG	PRESSURE GAUGE FOR DELIVERY	3/8"
AC	AIR COCK	3/8"
PM	PRIMING	1"
CRS	CASING DRAIN(SUCTION SIDE)	3/4"
CRD	CASING DRAIN(DELIVERY SIDE)	3/4"

NOTE: MAKE CONNECTIONS IN FIELD AND LABEL ONLY. REFER SPECIFICALLY TO SECTION 11 OF THE CATALOGUE.

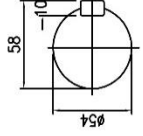
S	PN 16	340	295	24 1/2, Ø22	—	—	—	—	—	—	—	—
D	PN 16	—	—	—	340	295	24 1/2, Ø22	—	—	—	—	—
REF. NO.	TYPE OF FLANGE	O.D.	P.C.D.	THK. MIN	ØRF. THK	O.D.	P.C.D.	THK. MIN	ØRF. THK	OFF HOLE	RF FLANGE	DELIVERY - Ø200

TITLE		PUMPSENSE	
GA DRAWING FOR 8HS21TB WITH 125KW ABB MOTOR FRAME SIZE 315SM TYPE-2			
DRN	AD	22.12.17	SCALE
CHKD	ST	22.12.17	1:1
APPD	HS	22.12.17	REV
DRN	CHKD	DATE	REV
DESCRIPTION	REV	DESCRIPTION	REV
PSF/8HS21TB/MGA-01	0		

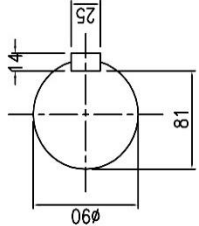
GENERAL ARRANGEMENT DRAWING FOR SINGLE STAGE AXIALLY SPLIT CASE PUMP 8HS21TB WITH 180KW ABB MOTOR IN FRAME SIZE 315ML



CLOCK-WISE ROTATION
LOOKING FROM DRIVE END



SCALE - 5:1
SHAFT DOETAILED AT
COUPLING END



SCALE - 4:1
AT COUPLING END
- MOTOR SHAFT

APPROXIMATE WEIGHTS IN KGS.

PUMP	689
MOTOR	1150
BED PLATE	220
COUPLING & GAIRD	20
TOTAL WEIGHT	2089
MOTOR DETAILS	
MAKE	ABB
TYPE	TEFC.
KW	180
FR-SIZE	315ML
SPEED	1480 RPM.

TOP VIEW OF BASE PLATE

ITEM	DESCRIPTION	SIZE(NPT)
GD	GLAND DRAIN	3/4"
CG	COMPOUND GAUGE FOR SUCTION	3/8"
PG	PRESSURE GAUGE FOR DELIVERY	3/8"
AC	AIR COCK	3/8"
PM	PRIMING	1"
CS	CASING DRAIN(SUCTION SIDE)	3/4"
CD	CASING DRAIN(DELIVERY SIDE)	3/4"

NOTE: CONNECTIONS SHOWN AND LISTED ARE SUBJECT TO CHANGE WITHOUT NOTICE BY THE CONTRACTOR.

S	PN	16	340	295	24 1/2, Ø22	—	—	—
D	PN	16	—	340	295	24 1/2, Ø22	—	—
REF.	NO.	TYPE OF FLANGE	O.D.	P.C.D.	MIN OFF HOLE	RF THK	RF THK	RF THK

SUCTION - Ø200
DELIVERY - Ø200

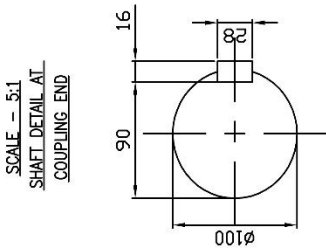
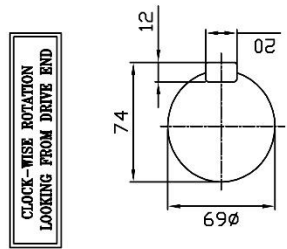
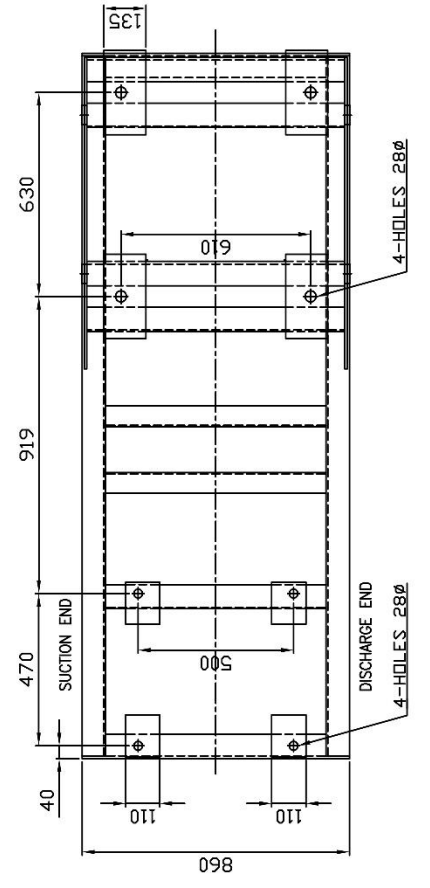
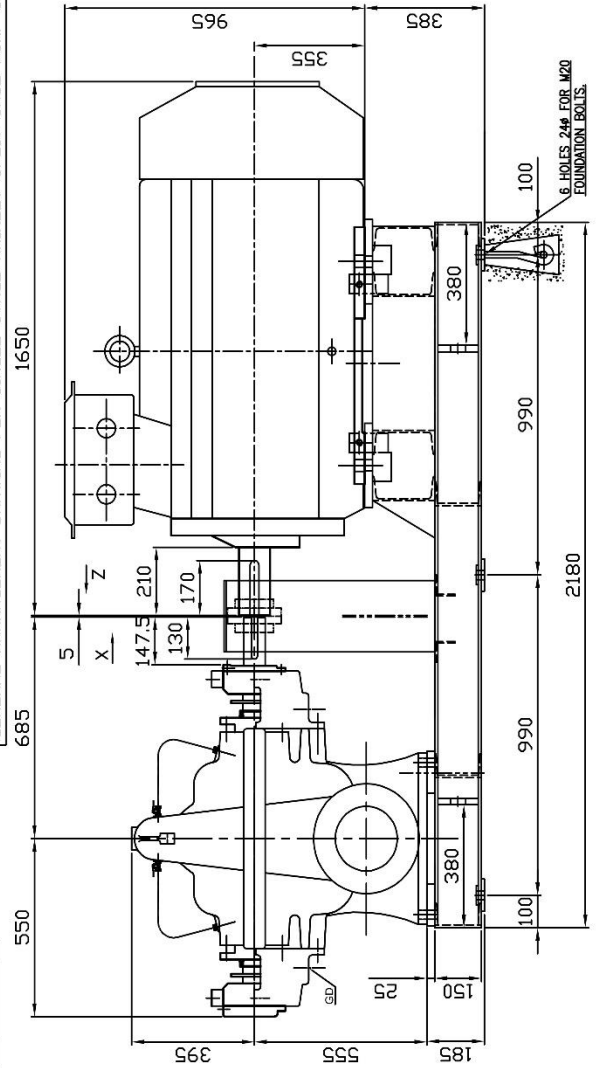
DRN	CHKD	DATE	DESCRIPTION	REV
AD	22.12.17			
ST	22.12.17			
APPD	22.12.17			

TITLE: PUMPSENSE
FOR DRAWING FOR 8HS21TB WITH 180KW ABB MOTOR FRAME SIZE 315ML

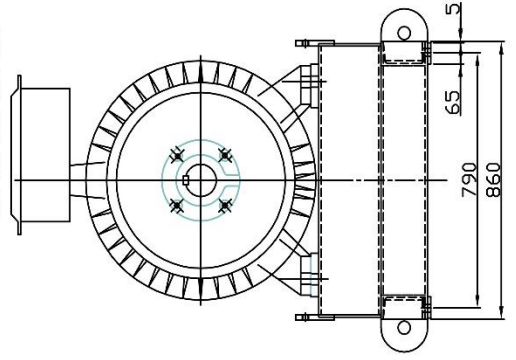
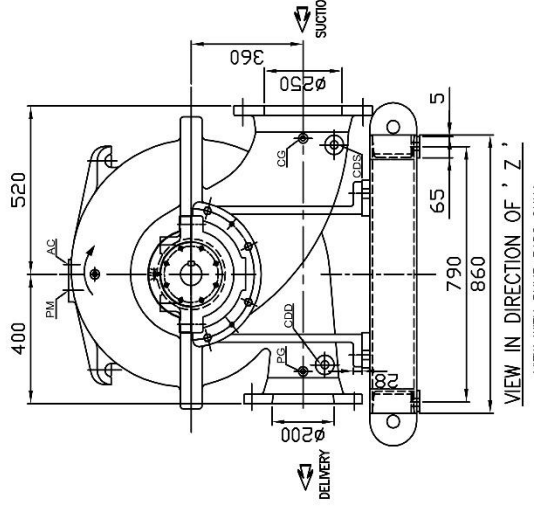
SCALE: 1:1

REV: 0

GENERAL ARRANGEMENT DRAWING FOR SINGLE STAGE AXIALLY SPLIT CASE PUMP 8HS22 WITH 315KW ABB MOTOR IN FRAME SIZE 355ML



APPROXIMATE WEIGHTS IN KGS.	
PUMP	900
MOTOR	1870
BED PLATE	300
COUPLING & GAIRD	20
TOTAL WEIGHT	3090
MOTOR DETAILS	
MAKE	ABB
TYPE	TEFC.
KW	315
FR.SIZE	355ML
SPEED	1460 RPM.



TOP VIEW OF BASE PLATE

ITEM	DESCRIPTION	SIZE(MT)
GD	GLAND DRINK	1"
CG	COMPAND GAUGE FOR SUCTION	3/8"
PG	PRESSURE GAUGE FOR DELIVERY	3/8"
AC	AIR COCK	3/8"
PM	PRING	1-1/2"
OS	OSING (DRAIN/SUCTON SIZ)	1"
OD	OSING (DRAIN/DELIVERY SIZ)	1"

REF. NO.	TYPE OF FLANGE	O.D. P.C.D.	THK. MIN	O.D. P.C.D.	THK. MIN	RF	RF	RF	RF	RF	RF	RF	RF	RF	RF	RF
S	PN 16	405	355	26	12	408	—	—	—	—	—	—	—	—	—	—
D	PN 16	340	295	24	12	402	—	—	—	—	—	—	—	—	—	—

REVISION

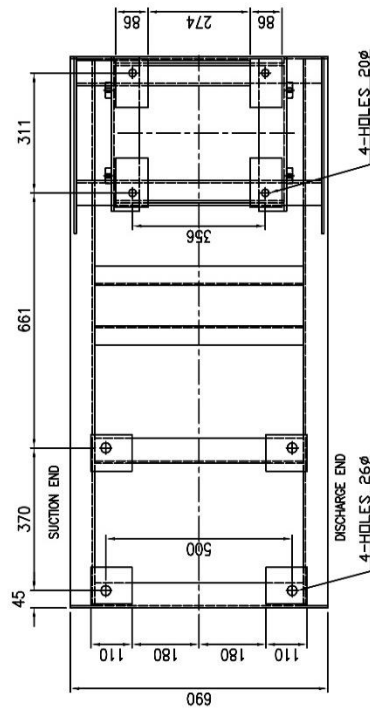
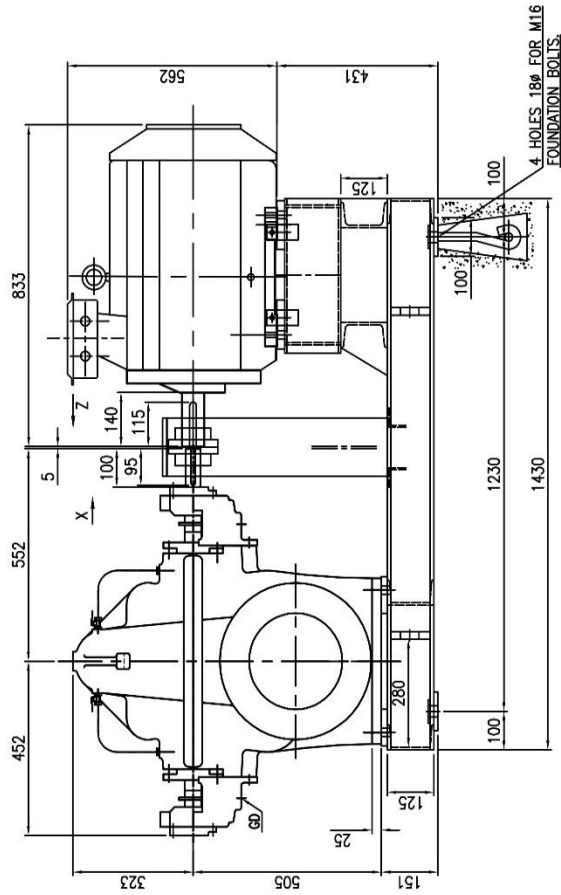
REV. NO.	DATE	INITIAL	CHK.
0			

TITLE: GA DRAWING FOR 8HS22 WITH 315KW ABB MOTOR FRAME SIZE 355ML

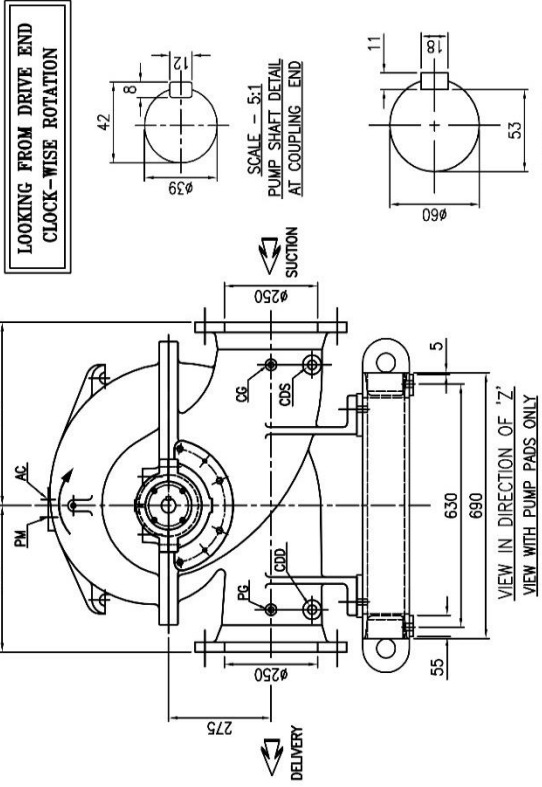
DRW. NO.	SCALE	SCALE	DRWING NO.
PSF/8HS22/NGA-01	1:1	1:1	

PUMPSENSE

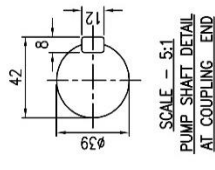
GENERAL ARRANGEMENT DRAWING FOR SINGLE STAGE AXIALLY SPLIT CASE PUMP 10HS12 WITH 45KW ABB MOTOR IN FRAME SIZE 225SM



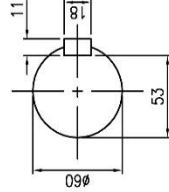
TOP VIEW OF BASE PLATE



LOOKING FROM DRIVE END
CLOCK-WISE ROTATION



SCALE - 5:1
PUMP SHAFT DETAIL
AT COUPLING END



SCALE - 4:1
MOTOR SHAFT DETAIL
AT COUPLING END

APPROXIMATE WEIGHTS IN KGS

PUMP	486
MOTOR	340
RED PLATE	125
COUPLING & GAIRD	15
TOTAL WEIGHT	966

MOTOR DETAILS

MAKE	ABB
TYPE	TEFC
KW	45
FR.SIZE	225SMC4
SPEED	1480 RPM

VIEW IN DIRECTION OF 'Z'
VIEW WITH PUMP PADS ONLY

VIEW IN DIRECTION OF 'X'
VIEW MOTOR PADS ONLY

CONNECTIONS		SIZE(NPT)
GM	GLAND DRAIN	1/2"
CG	COMPOUND GAUGE FOR SUCTION	3/8"
PG	PRESSURE GAUGE FOR DELIVERY	3/8"
AC	AIR LOCK	3/8"
PM	PRIMING	3/4"
CDS	CASING DRAIN(SUCTION SIDE)	3/4"
CGD	CASING DRAIN(DELIVERY SIDE)	3/4"

ALL WELDED CONNECTIONS SHALL BE FULL PENETRATION WELDED UNLESS SPECIFICALLY REFERENCED OTHERWISE

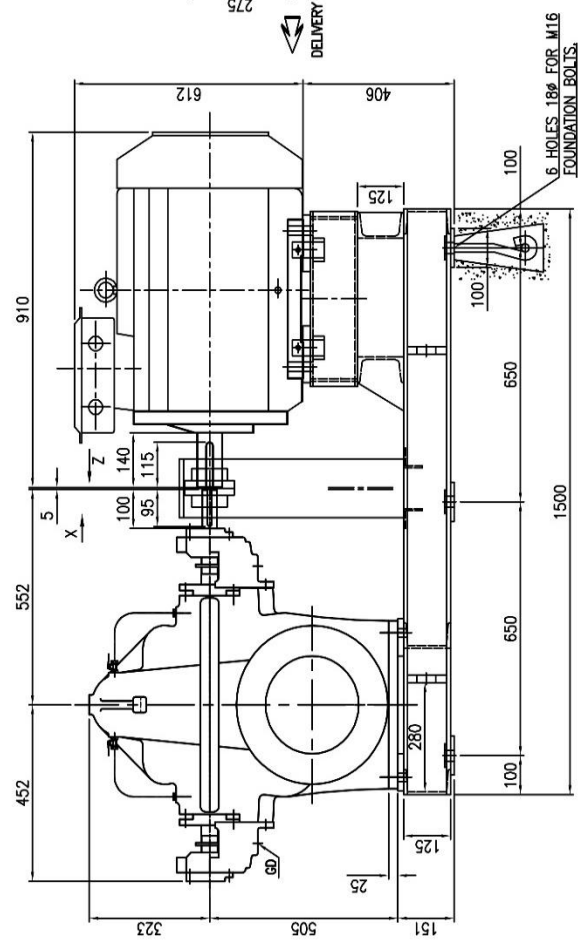
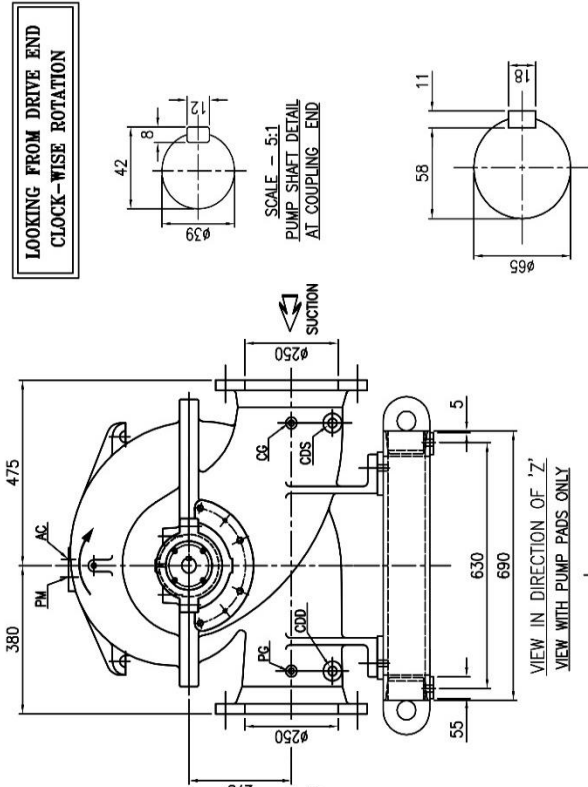
S	PN 16	405	355	26	12	26	—	—	—
D	PN 16	—	—	405	355	26	12	26	—
REF.	NO. OF	O.D.	P.C.D.	THK NO. SIZE	RF	RF	THK	RF	THK
NO.	FLANGE	MIN OF HOLE	MIN OF HOLE	MIN OF HOLE	RF	RF	MIN OF HOLE	RF	FLANGE
					DELIVERY - Ø250				
					SUCTION - Ø250				

REV	DESCRIPTION	DRN	CHKD	DATE

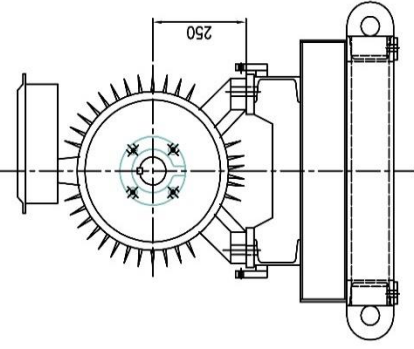
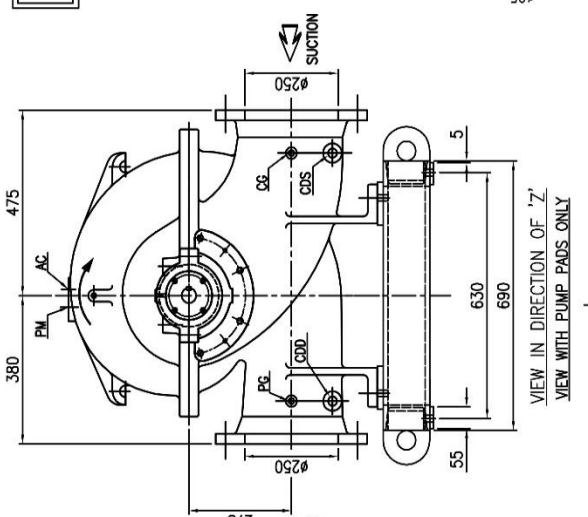
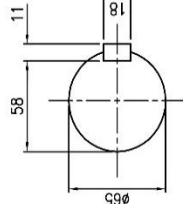
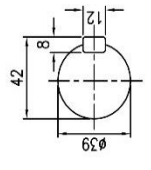
PUMPSENSE

TITLE	GA DRAWING FOR 10HS12 WITH 45KW ABB MOTOR FRAME SIZE 225SM	SCALE	1:1
DRN	17.11.17	DRG. NO.	
CHKD	17.11.17	PSF/10HS12/MGA-01	
APPRO	17.11.17	REV	0

GENERAL ARRANGEMENT DRAWING FOR SINGLE STAGE AXIALLY SPLIT CASE PUMP 10HS12 WITH 55KW ABB MOTOR IN FRAME SIZE 250MB



LOOKING FROM DRIVE END
CLOCK-WISE ROTATION



APPROXIMATE WEIGHTS IN Kgs.	
PUMP	486
MOTOR	435
BED PLATE	129
COUPLING & GAURD	15
TOTAL WEIGHT	1065

MOTOR DETAILS	
MAKE	ABB
TYPE	TEFC.
KW	55
FR-SIZE	250MB4
SPEED	1480 RPM.

CONNECTIONS		SIZE(NPT)
GD	GLAND DRWN	1/2"
GS	COMPOUND GAUGE FOR SUCTION	3/8"
PG	PRESSURE GAUGE FOR DELIVERY	3/8"
AC	AIR COCK	3/8"
PM	PRANG	3/4"
GDS	CASING DRN(SUCTION SIDE)	3/4"
GDB	CASING DRN(DELIVERY SIDE)	3/4"

IF RANGE CONNECTIONS, JUBILEE AND WROUD END BOLT, PRESSURE GAUGES, JUBILEE END BOLT, RANGE CONNECTIONS, JUBILEE AND WROUD END BOLT, PRESSURE GAUGES, JUBILEE END BOLT.

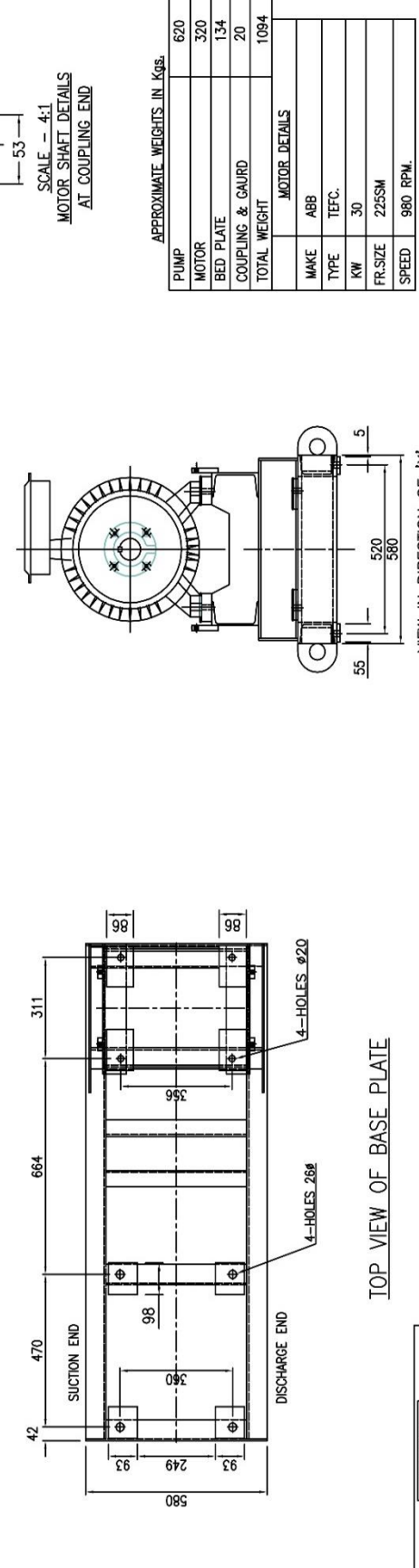
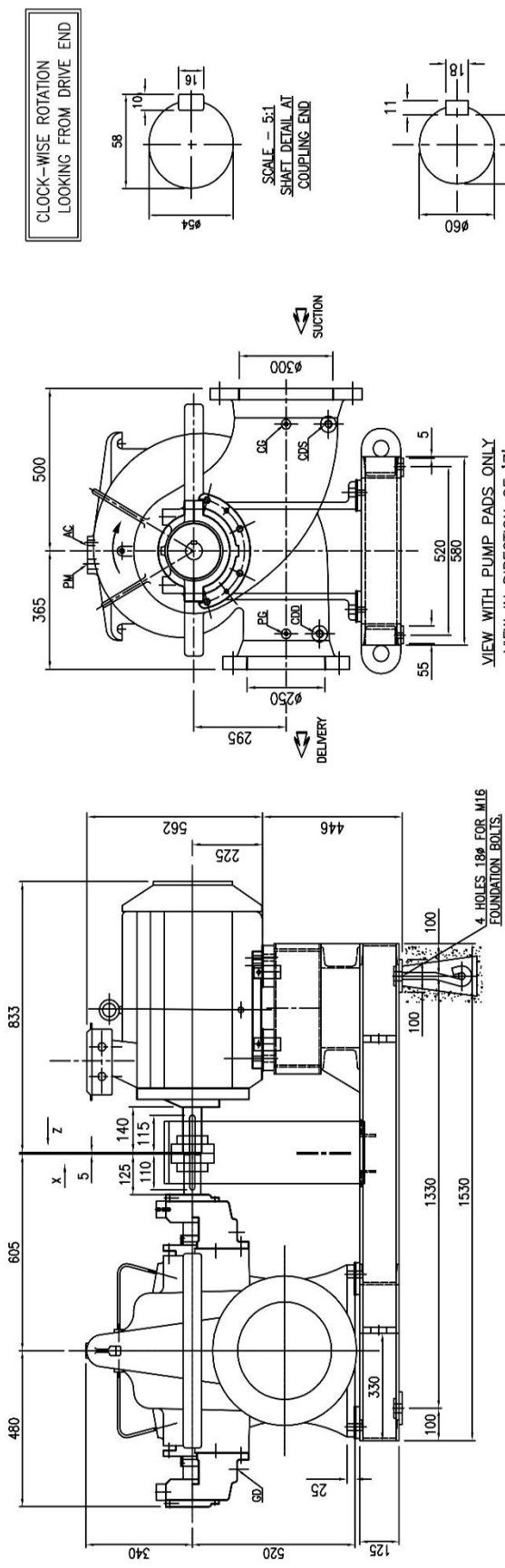
TOP VIEW OF BASE PLATE

REF. NO.	TYPE OF FLANGE	O.D.	P.C.D.	THK NO. MIN OF HOLE	SIZE OF HOLE	RF	THK NO. MIN OF HOLE	SIZE OF HOLE	RF	DELIVERY - ϕ 250
S	PN 16	405	355	26	12, 26	---	---	---	---	---
D	PN 16	---	---	405	355	26	12, 26	---	---	---

REV	DESCRIPTION	DRN	CHKD	DATE

TITLE		PUMPSENSE	
GA DRAWING FOR 10HS12 WITH 55KW ABB MOTOR FRAME SIZE 250MB		SCALE 1:1	
DRN	AD 17/11/17	DRG. NO.	PSF/10HS12/MGA-01
CHKD	BT 17/11/17	APPD	HS 17/11/17
REV	0		

GENERAL ARRANGEMENT DRAWING FOR SINGLE STAGE AXIALLY SPLIT CASE PUMP 10HS13 WITH 30KW ABB MOTOR IN FRAME SIZE 225SM



TOP VIEW OF BASE PLATE

APPROXIMATE WEIGHTS IN KGS.

PUMP	620
MOTOR	320
BED PLATE	134
COUPLING & GAIRD	20
TOTAL WEIGHT	1084

MOTOR DETAILS

MAKE	ABB
TYPE	TEFC.
KW	30
FR.SIZE	225SM
SPEED	980 RPM.

PUMPSENSE

TITLE: GA DRAWING FOR 10HS13 WITH 30KW ABB MOTOR FRAME SIZE 225SM

DRN	AD	31.07.18	DRG. NO.	
CHKD	TK	31.07.18	PSF/10HS13/MGA-01/0	
APPD	HS	31.07.18		

SCALE 1:1

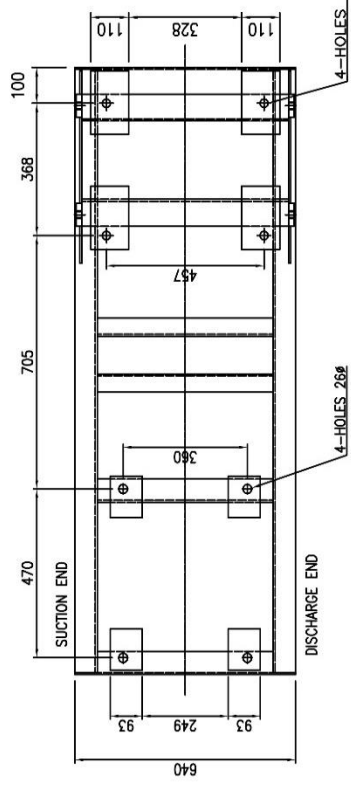
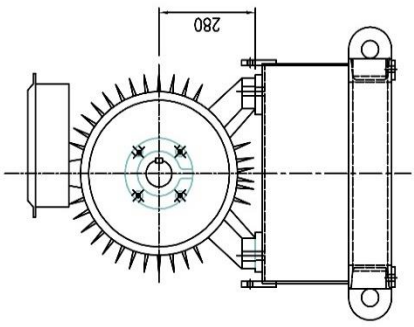
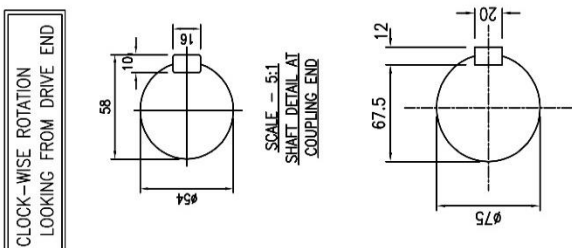
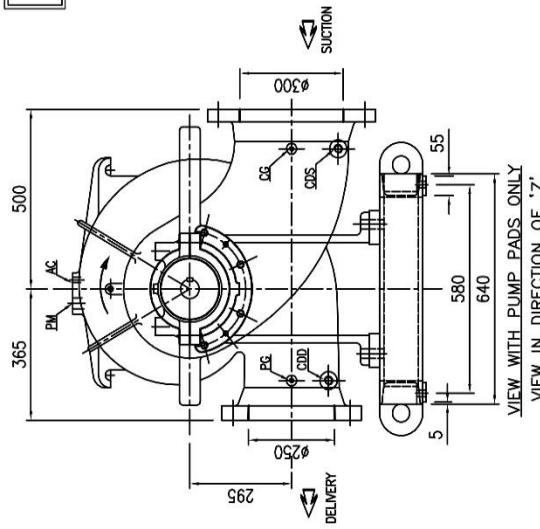
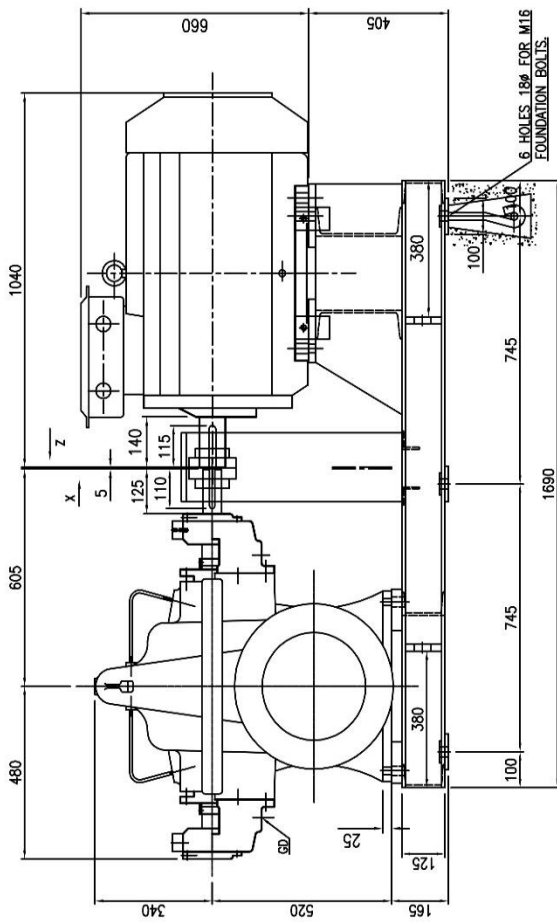
REV 0

REV.	DESCRIPTION	DRN	CHKD	DATE

S	PN	16	460	410	28	12	26	—	—	—	—	—
D	PN	16						405	355	26	12	26
REF. NO.	TYPE OF FLANGE	O.D.	P.C.D.	P.C.D.	THK.	NO.	SIZE	RF	ØRF.	THK	RF	ØRF.
		MIN OF HOLE	MIN OF HOLE	RF	FLANGE	O.D.	P.C.D.	MIN OF HOLE	RF	FLANGE	RF	FLANGE
		SUCTION - ø300				DELIVERY - ø250						

ITEM	DESCRIPTION	SIZE(NPT)
GD	GLAND DRIN	3/4"
CG	COMPOUND GAUGE FOR SUCTION	3/8"
PC	PRESSURE GAUGE FOR DELIVERY	3/8"
AC	AIR COCK	3/8"
PM	PRMING	1"
CS	CSING DRIN(SUCTION SDE)	3/4"
CDD	CSING DRIN(DELIVERY SDE)	3/4"

GENERAL ARRANGEMENT DRAWING FOR SINGLE STAGE AXIALLY SPLIT CASE PUMP 10HS13 WITH 75KW ABB MOTOR IN FRAME SIZE 280SM



TOP VIEW OF BASE PLATE

APPROXIMATE WEIGHTS IN KGS.

PUMP	620
MOTOR	610
BED PLATE	199
COUPLING & GAIRD	20
TOTAL WEIGHT	1449

MOTOR DETAILS

MAKE	ABB
TYPE	TEFC.
KW	75
FR-SIZE	280SMB4
SPEED	1480 RPM.

CONNECTIONS		SIZE (INFT)
GD	GLAND DRUM	3/4"
CG	COMPOUND GAUGE FOR SUCTION	3/8"
PG	PRESSURE GAUGE FOR DELIVERY	3/8"
AC	AIR COCK	3/8"
PM	PRMING	1"
CS	CASING DRAIN(SUCTION SIDE)	3/4"
CD	CASING DRAIN(DELIVERY SIDE)	3/4"

ITEM	DESCRIPTION	THK. NO.	MIN. OF-HOLE	RF FLANGE	O.D.	P.C.D.	MIN. OF-HOLE	RF FLANGE	THK. NO.	SIZE RF	RF THK
S	PN 16	460	410	28	12	26	—	—	—	—	—
D	PN 16	—	—	—	405	355	26	12	26	—	—

SUCTION - ø300 DELIVERY - ø250

PUMPSENSE

TITLE: GA DRAWING FOR 10HS13 WITH 75KW ABB MOTOR FRAME SIZE 280SM

SCALE: 1:1

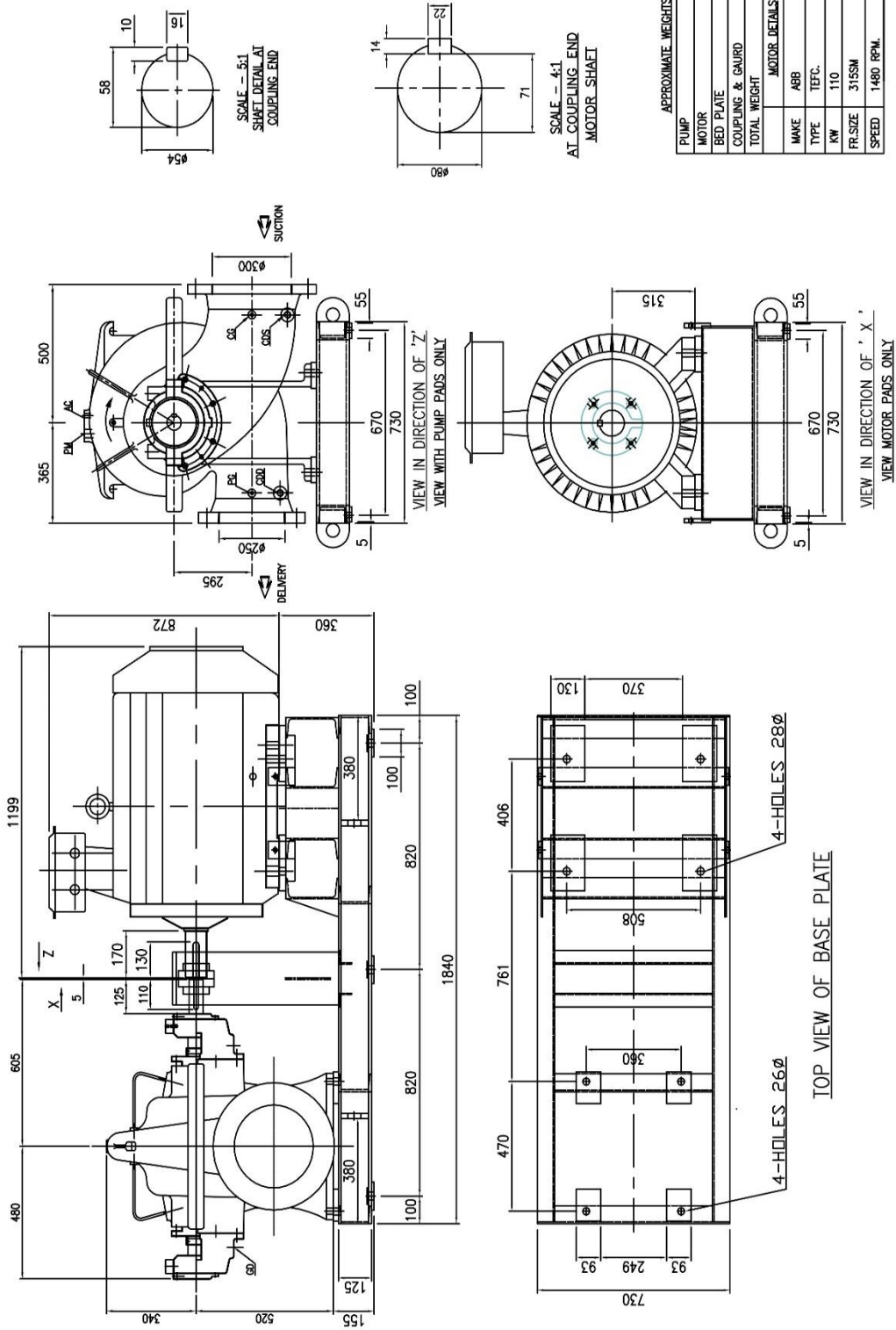
DRN: 16.12.17 DRG. NO. PSF/10HS13/GA-01/0

CHKD: AD 16.12.17

APPD: HS 16.12.17

REV: 0

GENERAL ARRANGEMENT DRAWING FOR SINGLE STAGE AXIALLY SPLIT CASE PUMP 10HS13 WITH 110KW ABB MOTOR IN FRAME SIZE 315SM



CONNECTIONS		SIZE (NPT)	
ITEM	DESCRIPTION	SIZE (NPT)	3/4"
GD	GLAND DRAIN	3/4"	3/4"
CG	COMPOUND GAUGE FOR SUCTION	3/8"	3/8"
PG	PRESSURE GAUGE FOR DELIVERY	3/8"	3/8"
AC	AIR COCK	1"	1"
PM	PRIMING	3/4"	3/4"
CDS	CASING DRAIN(SUCTION SIDE)	3/4"	3/4"
CDD	CASING DRAIN(DELIVERY SIDE)	3/4"	3/4"

NOTE: CONNECTIONS SHOWN ARE SUBJECT TO CHANGE.

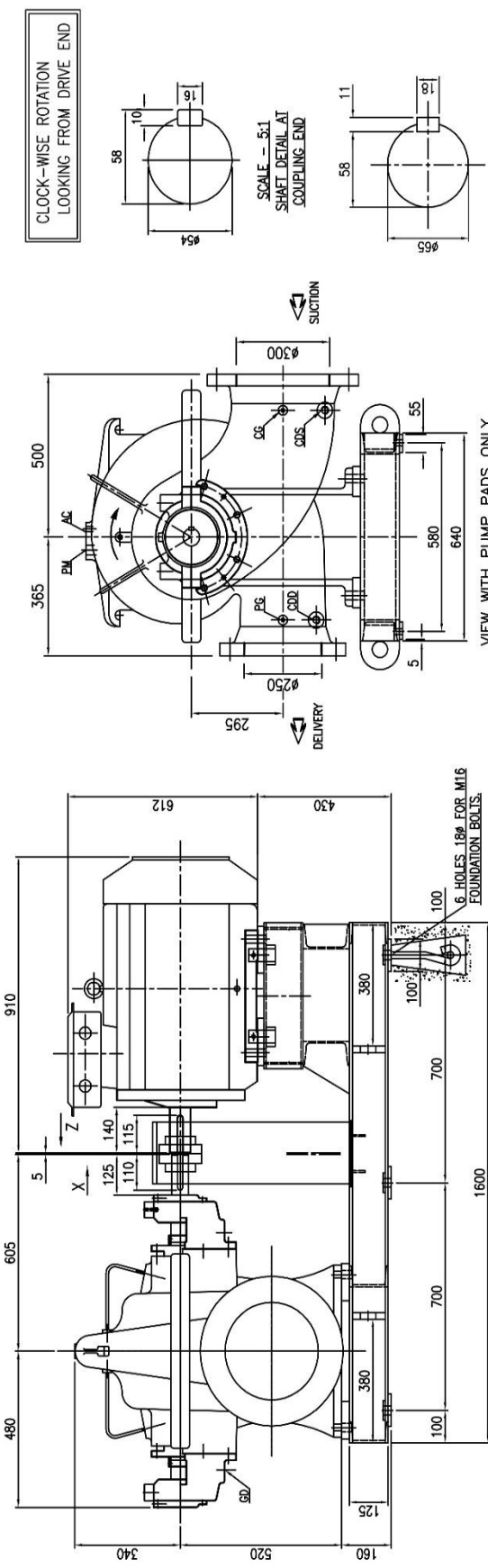
REF. NO.	THK	MIN	O.D.	MIN	O.D.	MIN	O.D.	MIN	O.D.	MIN	O.D.
S	PN 16	460	410	28	12	26	—	—	—	—	—
D	PN 16	—	—	—	405	355	26	12	26	—	—
REF.	TYPE OF FLANGE	O.D.	P.C.D.	MIN OF HOLE	RF FLANGE	RF FLANGE	RF FLANGE	RF FLANGE	RF FLANGE	RF THK	ØRF-THK
	NO.	SUCTION - Ø300			DELIVERY - Ø250						

PUMPSENSE

TITLE: GA DRAWING FOR 10HS13 WITH 110KW ABB MOTOR FRAME SIZE 315SM

DRN	SD	16.12.17	DRG. NO.	1:1
CHKD	AD	16.12.17	PSF/10HS13/GA-01/0	REV
APPD	HS	16.12.17		0

GENERAL ARRANGEMENT DRAWING FOR SINGLE STAGE AXIALLY SPLIT CASE PUMP 10HS13L WITH 55KW ABB MOTOR IN FRAME SIZE 250MB



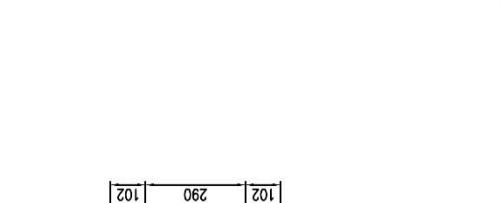
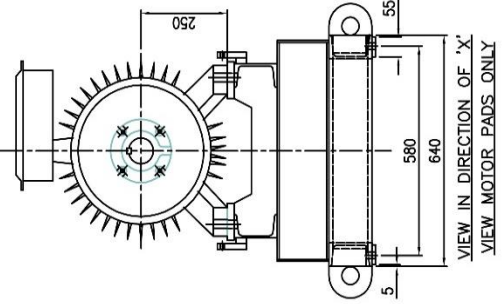
CLOCK-WISE ROTATION
LOOKING FROM DRIVE END

SCALE - 5:1
SHAFT DETAIL AT
COUPLING END

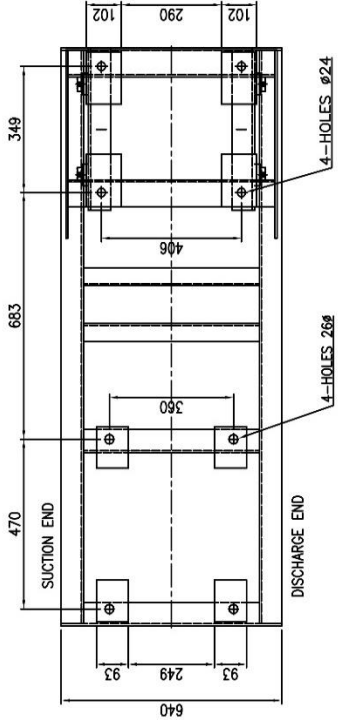
SCALE-4:1
MOTOR SHAFT DETAIL AT
COUPLING END

APPROXIMATE WEIGHTS IN KGS.	
PUMP	620
MOTOR	435
BED PLATE	200
COUPLING & GAIRD	20
TOTAL WEIGHT	1275

MOTOR DETAILS	
MAKE	ABB
TYPE	TEFC.
KW	55
FR-SIZE	250MB4
SPEED	1480 RPM.



TOP VIEW OF BASE PLATE



CONNECTIONS	
ITEM	DESCRIPTION
GD	GLAND DRUM
CG	COMPOUND GAUGE FOR SUCTION
PG	PRESSURE GAUGE FOR DELIVERY
AC	AIR COCK
PM	PRIMING
CS	CASING DRAIN(SUCTION SIDE)
DD	CASING DRAIN(DELIVERY SIDE)

ITEM	SIZE(INCH)
GD	3/4"
CG	3/8"
PG	3/8"
AC	3/8"
PM	1"
CS	3/4"
DD	3/4"

REV.	DESCRIPTION	DRN	CHKD	DATE

REV.	DESCRIPTION	DRN	CHKD	DATE

PUMPSENSE

TITLE: GA DRAWING FOR 10HS13L WITH 55KW ABB MOTOR FRAME SIZE 250MB

SCALE: 1:1

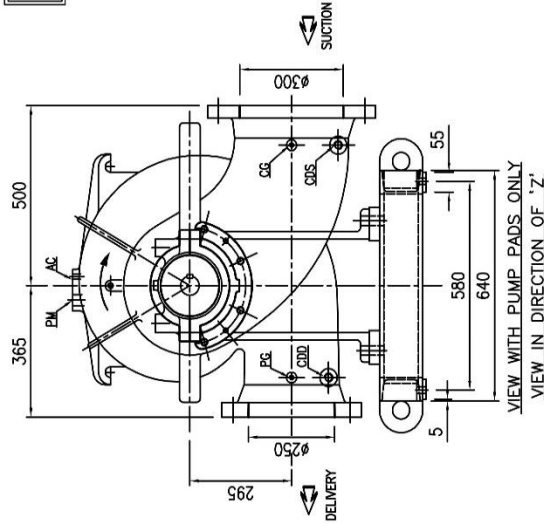
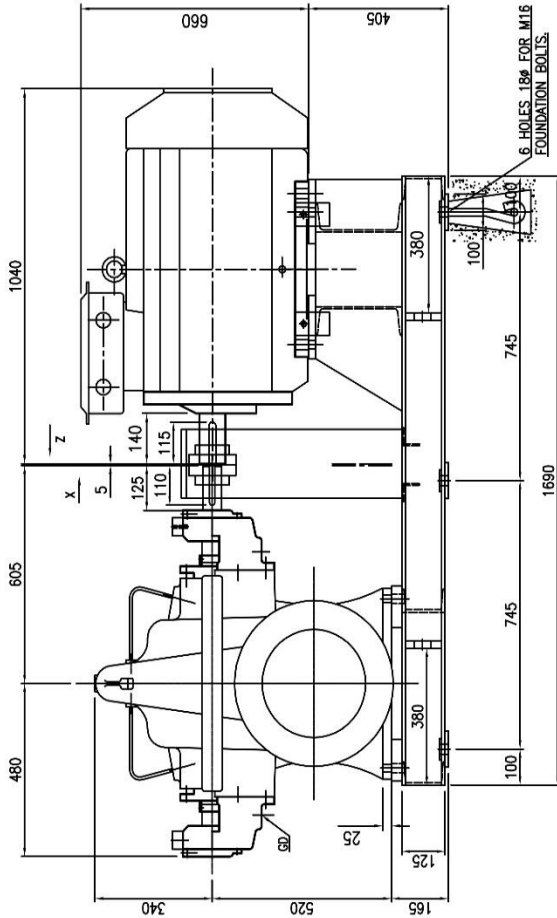
REV: 0

DRN: SD 16.12.17 DRG. NO. PSF/10HS13L/GA-01/0

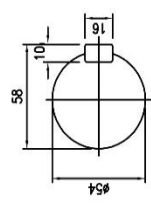
CHKD: AD 16.12.17

APPD: HS 16.12.17

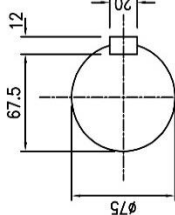
GENERAL ARRANGEMENT DRAWING FOR SINGLE STAGE AXIALLY SPLIT CASE PUMP 10HS13L WITH 75KW ABB MOTOR IN FRAME SIZE 280SM



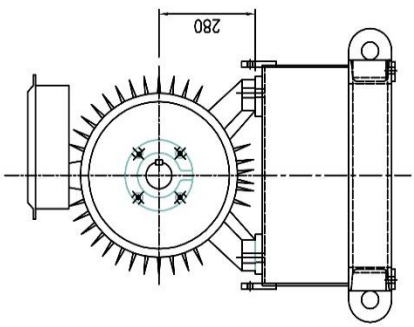
CLOCK-WISE ROTATION
LOOKING FROM DRIVE END



SCALE - 5:1
SHAFT DETAIL AT
COUPLING END



SCALE - 4:1
MOTOR SHAFT DETAILS
AT COUPLING END



TOP VIEW OF BASE PLATE

APPROXIMATE WEIGHTS IN Kgs

PUMP	620
MOTOR	610
BED PLATE	199
COUPLING & GAUDD	20
TOTAL WEIGHT	1449

MOTOR DETAILS

MAKE	ABB
TYPE	TEFC
KW	75
FR-SIZE	280SMB4
SPEED	1480 RPM.

CONNECTIONS

ITEM	DESCRIPTION	SIZE (NPT)
GD	GLAND DRAIN	3/4"
CG	COMPOUND GAUGE FOR SUCTION	3/8"
PG	PRESSURE GAUGE FOR DELIVERY	3/8"
AC	AIR COCK	3/8"
PM	PRIMING	1"
CDS	DRAINING DRAIN(SUCTION SIDE)	3/4"
CDD	DRAINING DRAIN(DELIVERY SIDE)	3/4"

PUMPSENSE

TITLE: GA DRAWING FOR 10HS13L WITH 75KW ABB MOTOR FRAME SIZE 280SM

SCALE 1:1

DRN SD 16.12.17 DRG. NO. PSF/10HS13L/GA-01/0

CHKD AD 16.12.17

APPD HS 16.12.17

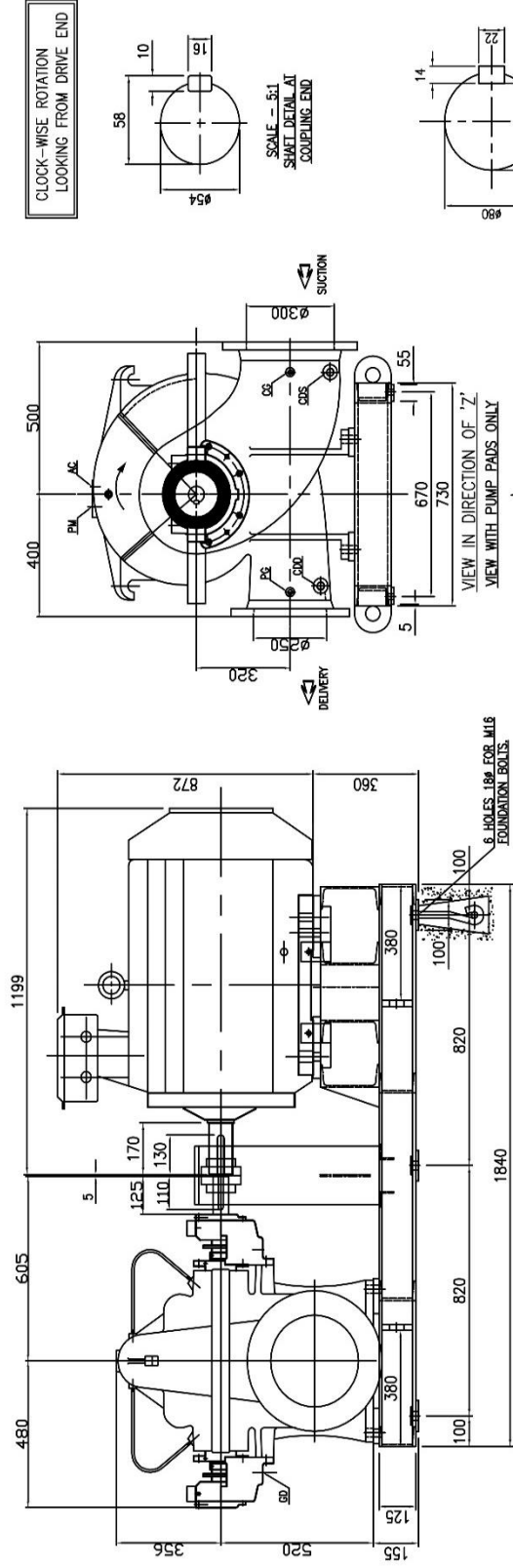
REV 0

REV.	DESCRIPTION	DRN	CHKD	DATE
0				

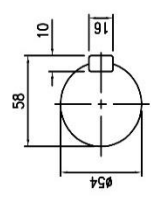
REF. NO.	TYPE OF FLANGE	O.D.	P.C.D.	THK	NO. OF HOLES	MIN OF HOLE	RF	THK	NO. OF HOLES	MIN OF HOLE	RF
S	PN 16	460	410	28	12, 26	—	—	—	—	—	—
D	PN 16	—	—	405	355	26	12, 26	—	—	—	—

SUCTION - ø300 DELIVERY - ø250

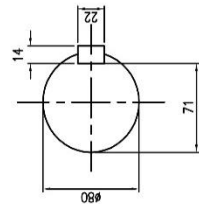
GENERAL ARRANGEMENT DRAWING FOR SINGLE STAGE AXIALLY SPLIT CASE PUMP 10HS15 WITH 125KW ABB MOTOR IN FRAME SIZE 315SM



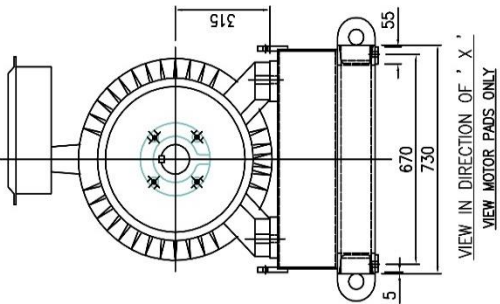
CLOCK-WISE ROTATION
LOOKING FROM DRIVE END



SCALE - 5:1
SHAFT DETAIL AT
COUPLING END



SCALE - 4:1
AT COUPLING END
MOTOR SHAFT



TOP VIEW OF BASE PLATE

APPROXIMATE WEIGHTS IN Kgs.

PUMP	715
MOTOR	960
BED PLATE	207
COUPLING & GAIRD	20
TOTAL WEIGHT	1902

MOTOR DETAILS

MAKE	ABB
TYPE	TEFC.
KW	125
FR.SIZE	315SM
SPEED	1460 RPM.

CONNECTIONS	
ITEM	DESCRIPTION
GD	GLAND DRAIN
CS	COMPOUND GAUGE FOR SUCTION
PS	PRESSURE GAUGE FOR DELIVERY
AC	AIR COCK
PM	PHIMING
CDS	CASING DRAIN(SUCTION SIDE)
CDD	CASING DRAIN(DELIVERY SIDE)

REF.	TYPE OF FLANGE	O.D.	P.C.D.	THK IN.	SIZE RF	Ø RF	THK	Ø RF	THK
S	PN 16	460	410	28	12, 26	—	—	—	—
D	PN 16	—	—	405	355	26	12, 26	—	—

SUCTION - Ø300 DELIVERY - Ø250

PUMPSENSE

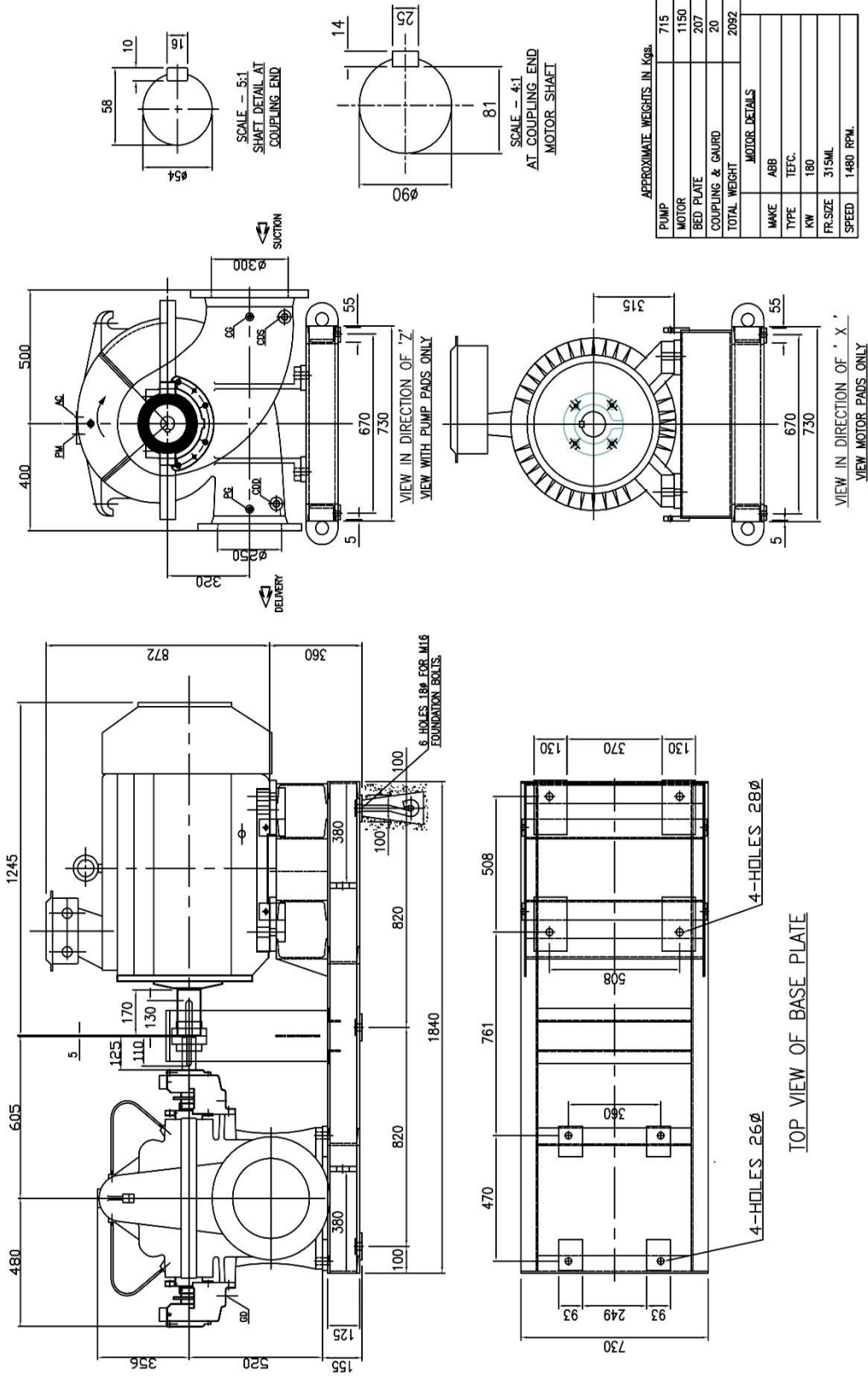
TITLE: GA DRAWING FOR PUMP WITH 125KW ABB MOTOR FRAME SIZE 315SM TYPE-2

DRN	SD	16.12.17	DRG. NO.	
CHKD	AD	16.12.17	PSF/10HS15/GA-01/0	
APPD	HS	16.12.17		

SCALE 1:1

REV 0

GENERAL ARRANGEMENT DRAWING FOR SINGLE STAGE AXIALLY SPLIT CASE PUMP 10HS15 WITH 180KW ABB MOTOR IN FRAME SIZE 315ML



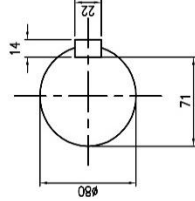
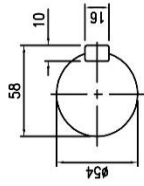
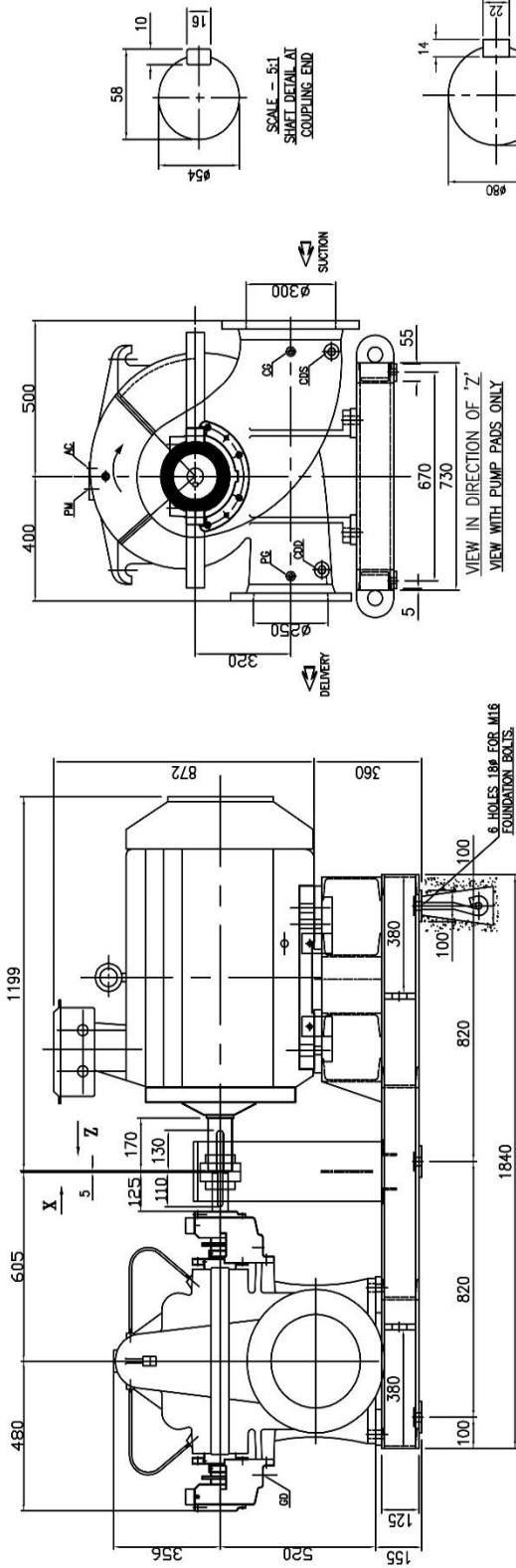
CONNECTIONS		DESCRIPTION	SIZE(NPT)
GD	GLAND DRAIN		3/4"
CS	COMPOUND GAUGE FOR SUCTION		3/8"
PS	PRESSURE GAUGE FOR DELIVERY		3/8"
AC	AIR COCK		3/8"
PM	PRIMING		1"
CS	CASING DRAIN(SUCTION SIDE)		3/4"
CS	CASING DRAIN(DELIVERY SIDE)		3/4"

ITEM	PN	16	460	410	28	12	26	—	405	355	26	12	26	—
S	PN 16	460	410	28	12	26	—	405	355	26	12	26	—	—
D	PN 16	460	410	28	12	26	—	405	355	26	12	26	—	—
REF.	TYPE OF NO.	O.D.	P.C.D.	MIN OF HOLE	RF FLANGE	RF FLANGE	O.D.	P.C.D.	MIN OF HOLE	RF FLANGE	RF FLANGE	THK INO.	SIZE RF	ØRF THK

REV.	DESCRIPTION	DRN	CHKD	DATE
0				

PUMPSENSE		TITLE:	
		GA DRAWING FOR 10HS15 WITH 180KW ABB MOTOR FRAME SIZE 315ML	TYPE-1
SCALE	1:1	DRN	18.12.17
		CHKD	18.12.17
		APPD	18.12.17
		DRG. NO.	PSF/10HS15/GA-01/0
		REV	0

GENERAL ARRANGEMENT DRAWING FOR SINGLE STAGE AXIALLY SPLIT CASE PUMP 10HS15L WITH 110KW ABB MOTOR IN FRAME SIZE 315SM

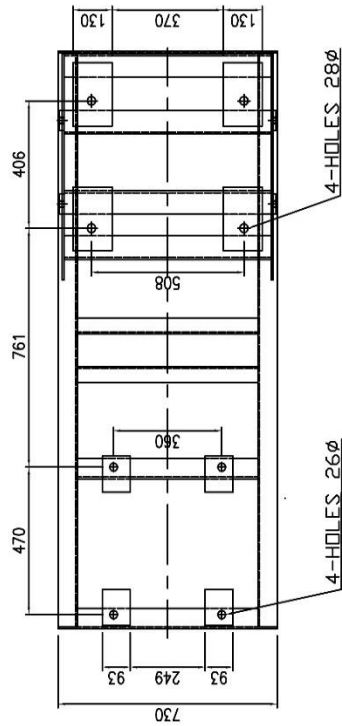
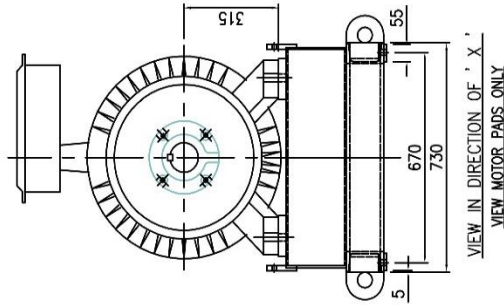


APPROXIMATE WEIGHTS IN Kgs.

PUMP	715
MOTOR	905
BED PLATE	207
COUPLING & GAUGE	20
TOTAL WEIGHT	1847

MOTOR DETAILS

MAKE	ABB
TYPE	TEFC.
KW	110
FRSIZE	315SM
SPEED	1480 RPM.



TOP VIEW OF BASE PLATE

CONNECTIONS		SIZE(NPT)
ITEM	DESCRIPTION	SIZE(NPT)
GD	GLAND DRAIN	3/4"
CS	COMPOUND GAUGE FOR SUCTION	3/8"
PG	PRESSURE GAUGE FOR DELIVERY	3/8"
AC	AIR COCK	3/8"
PM	PRIMING	1"
CDS	CASING DRAIN(SUCTION SIDE)	3/4"
CDL	CASING DRAIN(DELIVERY SIDE)	3/4"

SEE CONNECTIONS DRAWING FOR CONNECTIONS

REF. NO.	TYPE OF FLANGE	O.D.	P.C.D.	THK. MIN OF HOLE	THK. NO.	SIZE OF HOLE	REF. THK
S	PN 16	460	410	28	12, 26	—	—
D	PN 16	—	—	405	355	26	12, 26

DELIVERY - φ250

PUMPSENSE

TITLE: GA DRAWING FOR 10HS15L WITH 110KW ABB MOTOR FRAME SIZE 315SM TYPE-2

DRN	SD	16.12.17	DRG. NO.	
CHKD	AD	16.12.17	PSF/10HS15L/GA-01/0	
APPD	HS	16.12.17		

SCALE: 1:1

REV: 0

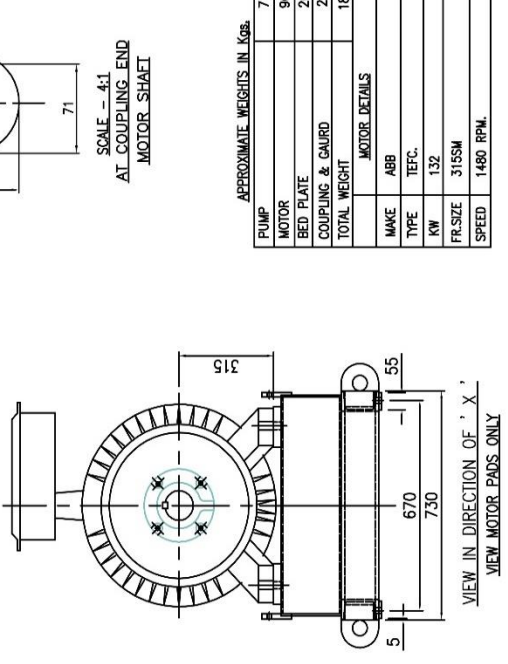
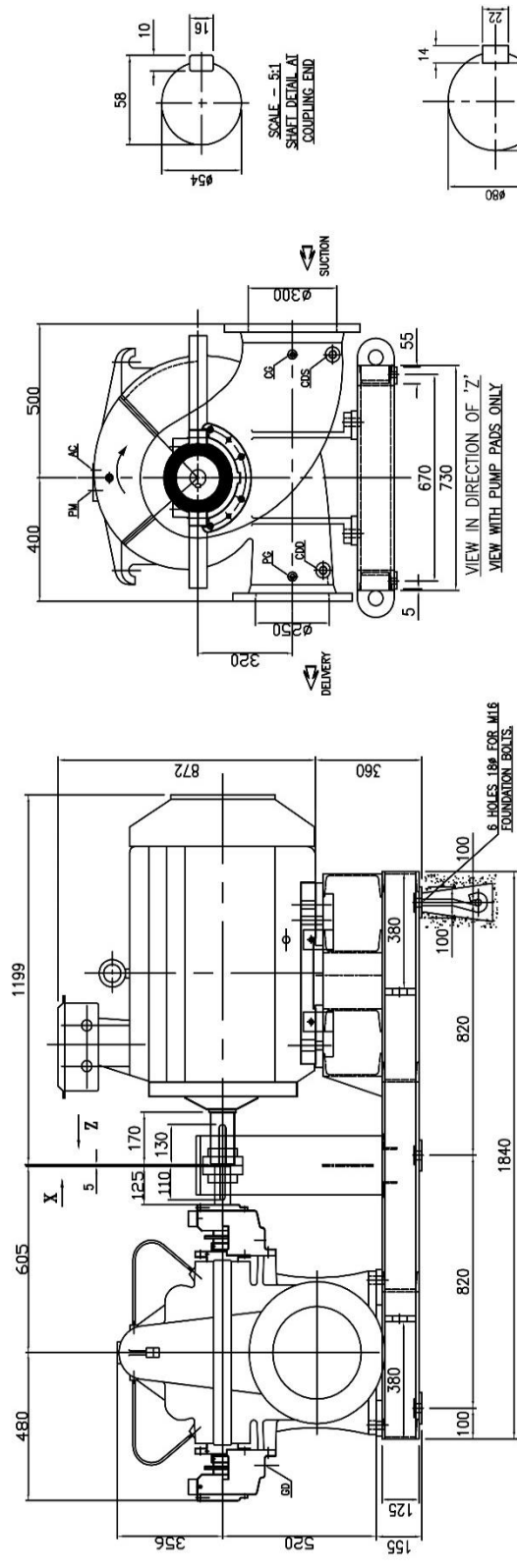
REV.	DESCRIPTION	DRN	CHKD	DATE

REV.	DESCRIPTION	DRN	CHKD	DATE

REV.	DESCRIPTION	DRN	CHKD	DATE

REV.	DESCRIPTION	DRN	CHKD	DATE

GENERAL ARRANGEMENT DRAWING FOR SINGLE STAGE AXIALLY SPLIT CASE PUMP 10HS15L WITH 132KW ABB MOTOR IN FRAME SIZE 315SM



APPROXIMATE WEIGHTS IN Kgs.

PUMP	715
MOTOR	905
BED PLATE	207
COUPLING & GAUGE	20
TOTAL WEIGHT	1847

MOTOR DETAILS

MAKE	ABB
TYPE	TEFC.
KW	132
FR.SIZE	315SM
SPEED	1480 RPM.

TOP VIEW OF BASE PLATE

CONNECTIONS		SIZE(NPT)	
GD	GLAND DRAIN	3/4"	
CG	COMPOUND GAUGE FOR SUCTION	3/8"	
PG	PRESSURE GAUGE FOR DELIVERY	3/8"	
AC	AIR COCK	3/8"	
PM	PRIMING	1"	
CS	CASING DRAIN(SUCTION SIDE)	3/4"	
CD	CASING DRAIN(DELIVERY SIDE)	3/4"	

DELIVERY - Ø250

REV.	DESCRIPTION	DRN	CHKD	DATE

PUMPSENSE

TITLE: GA DRAWING FOR PUMPSET WITH 132KW ABB MOTOR FRAME SIZE 315SM TYPE-1

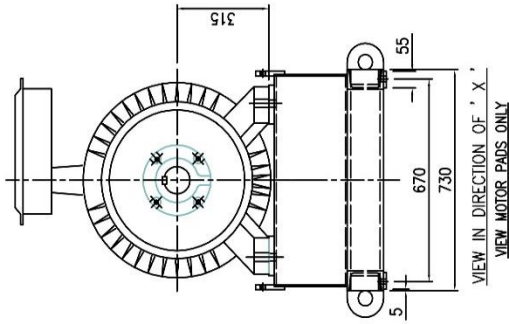
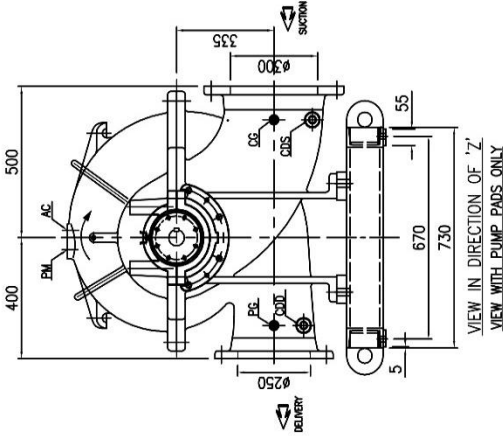
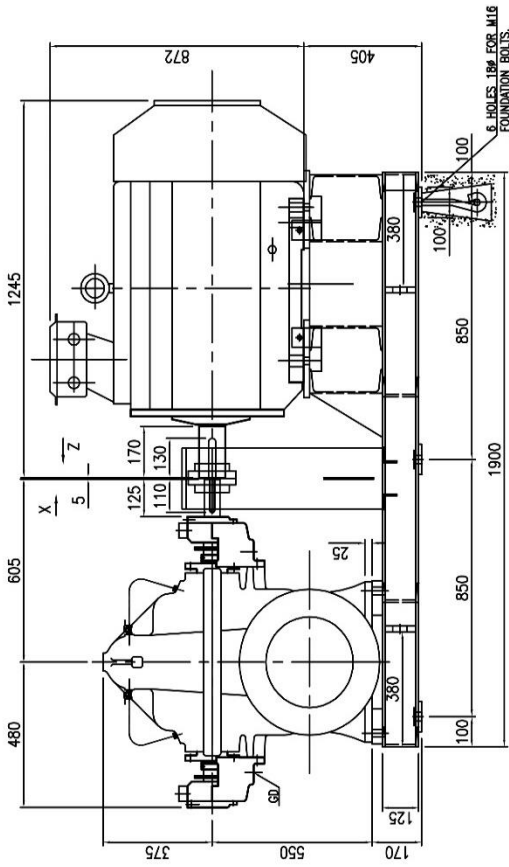
SCALE 1:1

DRN	NO	DATE	CHKD	NO	DATE	APPD	NO	DATE

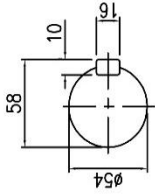
DRG. NO. PSF/10HS15L/MGA-01/0

REV 0

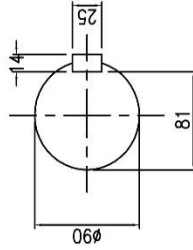
GENERAL ARRANGEMENT DRAWING FOR SINGLE STAGE AXIALLY SPLIT CASE PUMP 10HS17 WITH 200KW ABB MOTOR IN FRAME SIZE 315ML



CLOCK-WISE ROTATION
LOOKING FROM DRIVE END



SCALE - 5:1
SHAFT DETAIL AT
COUPLING END

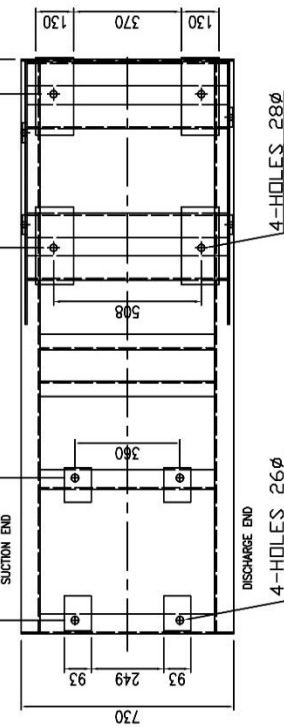


SCALE - 4:1
AT COUPLING END
MOTOR SHAFT

APPROXIMATE WEIGHTS IN KGS.

PUMP	766
MOTOR	1260
BED PLATE	246
COUPLING & GAIRD	20
TOTAL WEIGHT	2292

MOTOR DETAILS	
MAKE	ABB
TYPE	TEFC.
KW	200
FR SIZE	315ML
SPEED	1480 RPM.



TOP VIEW OF BASE PLATE

ITEM	DESCRIPTION	SIZE(NPT)
GD	GLAND DRAIN	3/4"
CS	COMPOUND GEAR FOR SUCTION	3/8"
PC	PRESSURE GEAR FOR DELIVERY	3/8"
AC	AIR COCK	3/8"
PM	PRIMING	1"
CS	CASING DRAIN(SUCTION SIDE)	3/4"
CS	CASING DRAIN(DELIVERY SIDE)	3/4"

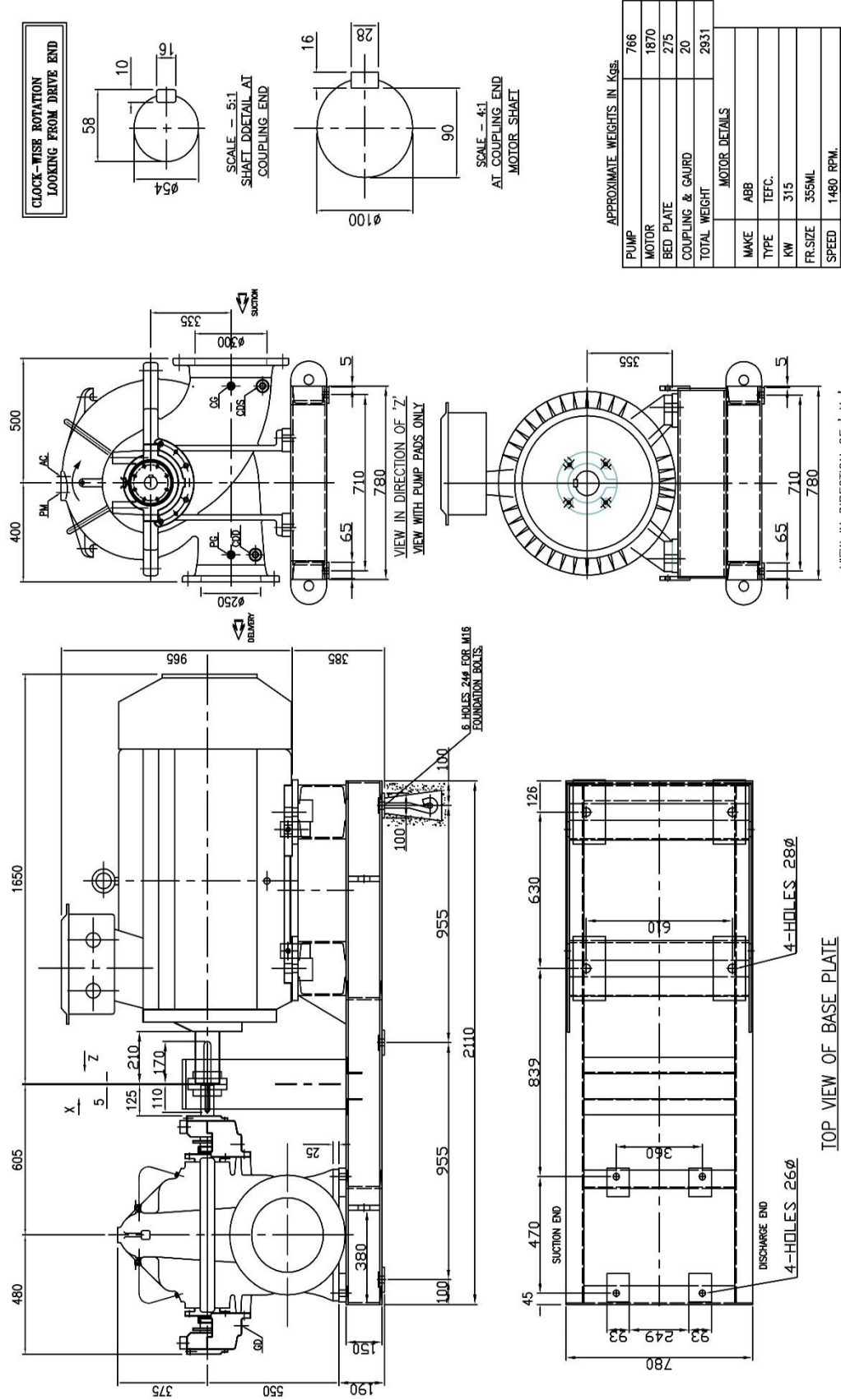
S	PN 16	460	410	28	12, 26	—	—	—	—
D	PN 16	—	—	405	355	26	12, 26	—	—
REF. NO.	TYPE OF FLANGE	O.D.	P.C.D.	MIN OF HOLE	RF FLANGE	THK NO.	SIZE OF THK	RF THK	REF. THK
SUCTION - ø300						DELIVERY - ø250			

TITLE- GA DRAWING FOR 10HS17 WITH 200KW ABB MOTOR FRAME SIZE 315ML TYPE-2			
DRN NO	10.11.17	DRG. NO.	PSF/10HS17/AGA-01
CHKD BY	10.11.17	APPROV BY	10.11.17
PUMPSENSE		SCALE	1:1
REV	0	REV	0

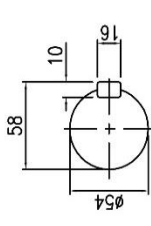
REV	DESCRIPTION	DRN	CHKD	DATE

1. ALL DIMENSIONS UNLESS OTHERWISE SPECIFIED ARE IN MILLIMETERS.
2. UNLESS SPECIFICALLY NOTED OTHERWISE, ALL DIMENSIONS ARE TO BE TAKEN TO THE CENTERLINE OF THE MEMBER.

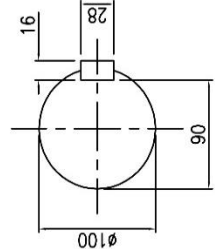
GENERAL ARRANGEMENT DRAWING FOR SINGLE STAGE AXIALLY SPLIT CASE PUMP 10HS17 WITH 315KW ABB MOTOR IN FRAME SIZE 355ML



CLOCK-WISE ROTATION
LOOKING FROM DRIVE END



SCALE - 5:1
SHAFT DETAIL AT
COUPLING END



SCALE - 4:1
AT COUPLING END
MOTOR SHAFT

APPROXIMATE WEIGHTS IN KGS.	
PUMP	766
MOTOR	1870
BED PLATE	275
COUPLING & GAIRD	20
TOTAL WEIGHT	2931

MOTOR DETAILS	
MAKE	ABB
TYPE	TEFC.
KW	315
FR-SIZE	355ML
SPEED	1480 RPM.

CONNECTIONS		SIZE (NPT)
GD	GLAND DRAIN	3/4"
CS	COMPOUND GAUGE FOR SUCTION	3/4"
PD	PRESSURE GAUGE FOR DELIVERY	3/4"
AC	AIR COCK	3/4"
PM	PRIMING	1"
CS	CASING DRAIN(SUCTION SIDE)	3/4"
CS	CASING DRAIN(DELIVERY SIDE)	3/4"

SEE GENERAL ARRANGEMENT DRAWING FOR CONNECTIONS

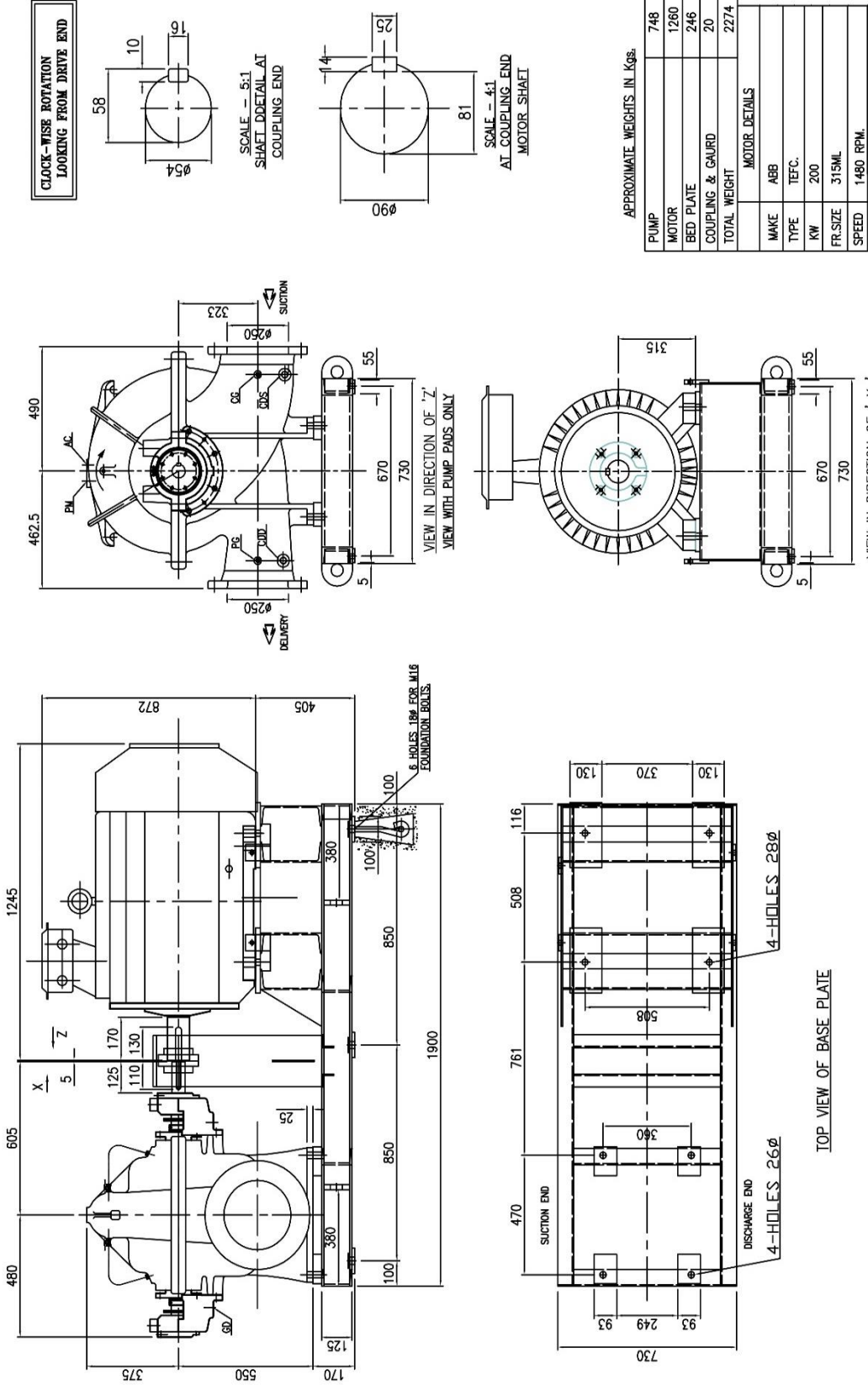
REV	DESCRIPTION	DRN	CHKD	DATE	APPD	BY
0				10.11.17		

TITLE		PUMPSENSE	
GA DRAWING FOR 10HS17 WITH 315KW ABB MOTOR FRAME SIZE 355ML TYPE-1		SCALE 1:1	
DRN	10.11.17	DRG. NO.	PSF/10HS17/AGA-01
CHKD	10.11.17		
APPD	10.11.17		

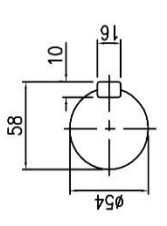
REF. NO.	THK. OF FLANGE	O.D. OF HOLE	P.C.D. OF HOLE	SIZE OF HOLE	THK. OF HOLE	REF. THK.
S	PN 16	460	410	28	12, 26	—
D	PN 16	—	—	405	355	26, 12, 26

ITEM	DESCRIPTION	SIZE (NPT)
GD	GLAND DRAIN	3/4"
CS	COMPOUND GAUGE FOR SUCTION	3/4"
PD	PRESSURE GAUGE FOR DELIVERY	3/4"
AC	AIR COCK	3/4"
PM	PRIMING	1"
CS	CASING DRAIN(SUCTION SIDE)	3/4"
CS	CASING DRAIN(DELIVERY SIDE)	3/4"

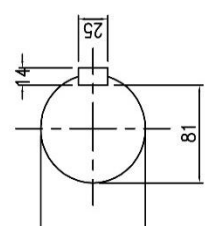
GENERAL ARRANGEMENT DRAWING FOR SINGLE STAGE AXIALLY SPLIT CASE PUMP 10HS17L WITH 200KW ABB MOTOR IN FRAME SIZE 315ML



CLOCK-WISE ROTATION
LOOKING FROM DRIVE END



SCALE - 5:1
SHAFT DETAIL AT
COUPLING END



SCALE - 4:1
AT COUPLING END
MOTOR SHAFT

APPROXIMATE WEIGHTS IN KGS.

PUMP	748
MOTOR	1260
BED PLATE	246
COUPLING & GAURD	20
TOTAL WEIGHT	2274

MOTOR DETAILS

MAKE	ABB
TYPE	TEFC.
KW	200
FR-SIZE	315ML
SPEED	1480 RPM.

CONNECTIONS	
ITEM	DESCRIPTION
GD	GLAND DIMEN
CS	COMPOUND GAUGE FOR SUCTION
PD	PRESSURE GAUGE FOR DELIVERY
AC	AIR COCK
PM	PRIMING
CS	CASING DRAIN(SUCTION SIDE)
CD	CASING DRAIN(DELIVERY SIDE)
CS	CASING DRAIN(DELIVERY SIDE)

REF. NO.	THK. MIN. OF HOLE	RF THK	O.D.	P.C.D.	MIN OF HOLE	RF FLANGE	RF FLANGE
S	PN 16	405	355	26	12, 26	—	—
D	PN 16	—	—	405	355	26	12, 26

SUCTION - ϕ 250
DELIVERY - ϕ 250

REV	DESCRIPTION	DRN	CHKD	DATE	APPD	VS
0				10.11.17		

PUMPSENSE

TITLE: CA BRAVING FOR 10HS17L WITH 200KW ABB MOTOR FRAME SIZE 315ML TYPE-2

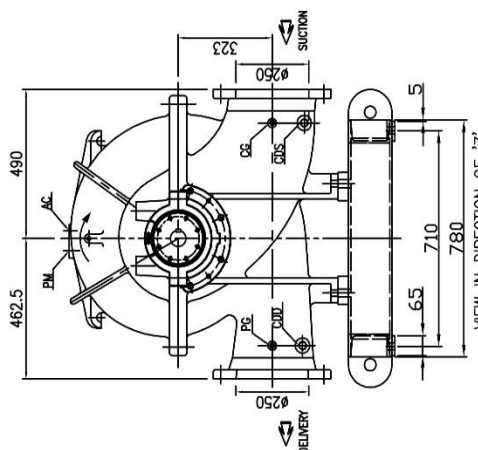
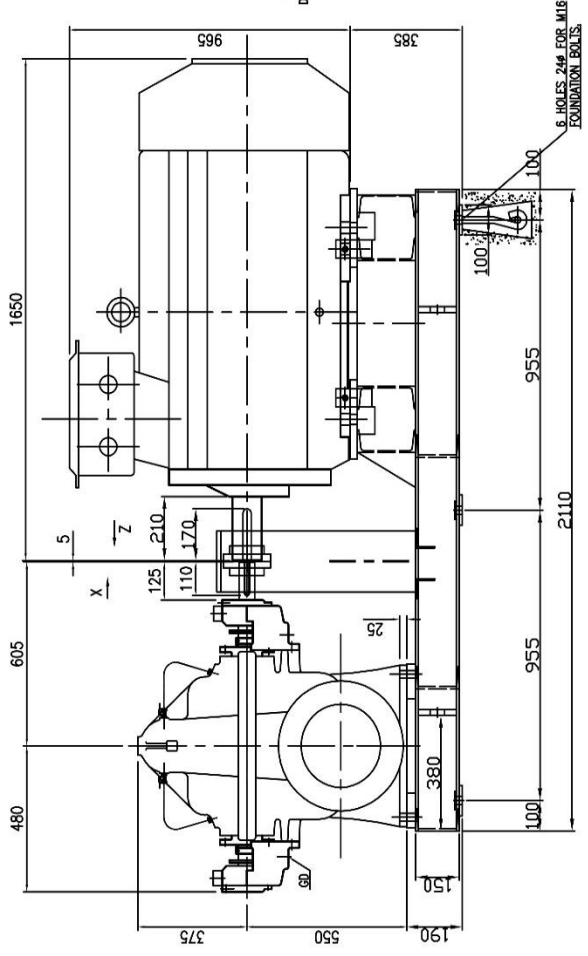
SCALE 1:1

DRN 10.11.17 PSF/10HS17L/MCA-01

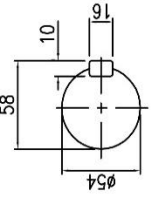
CHKD 10.11.17

APPD 10.11.17

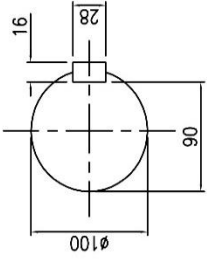
GENERAL ARRANGEMENT DRAWING FOR SINGLE STAGE AXIALLY SPLIT CASE PUMP 10HS17L WITH 315KW ABB MOTOR IN FRAME SIZE 355ML



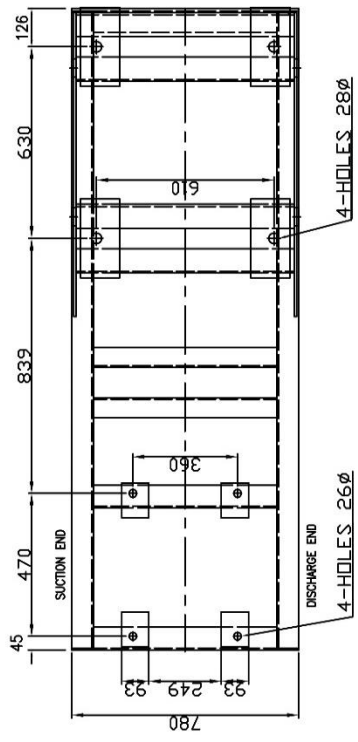
CLOCK-WISE ROTATION
LOOKING FROM DRIVE END



SCALE - 5:1
SHAFT DETAIL AT
COUPLING END



SCALE - 4:1
AT COUPLING END
MOTOR SHAFT



TOP VIEW OF BASE PLATE

APPROXIMATE WEIGHTS IN KGS.

PUMP	748
MOTOR	1870
BED PLATE	275
COUPLING & GAURO	20
TOTAL WEIGHT	2913

MOTOR DETAILS

MAKE	ABB
TYPE	TEFC.
KW	315
FR.SIZE	355ML
SPEED	1480 RPM.

CONNECTIONS

ITEM	DESCRIPTION	SIZE(ØPT)
GD	GLAND DRAIN	3/4"
CS	COMPOND GAUGE FOR SUCTON	3/4"
PD	PRESSURE GAUGE FOR DELIVERY	3/4"
AC	AIR COCK	3/4"
PM	PRMING	1"
CSB	CASING DRAIN(SUCTON SBD)	3/4"
CSDB	CASING DRAIN(DELIVERY SBD)	3/4"

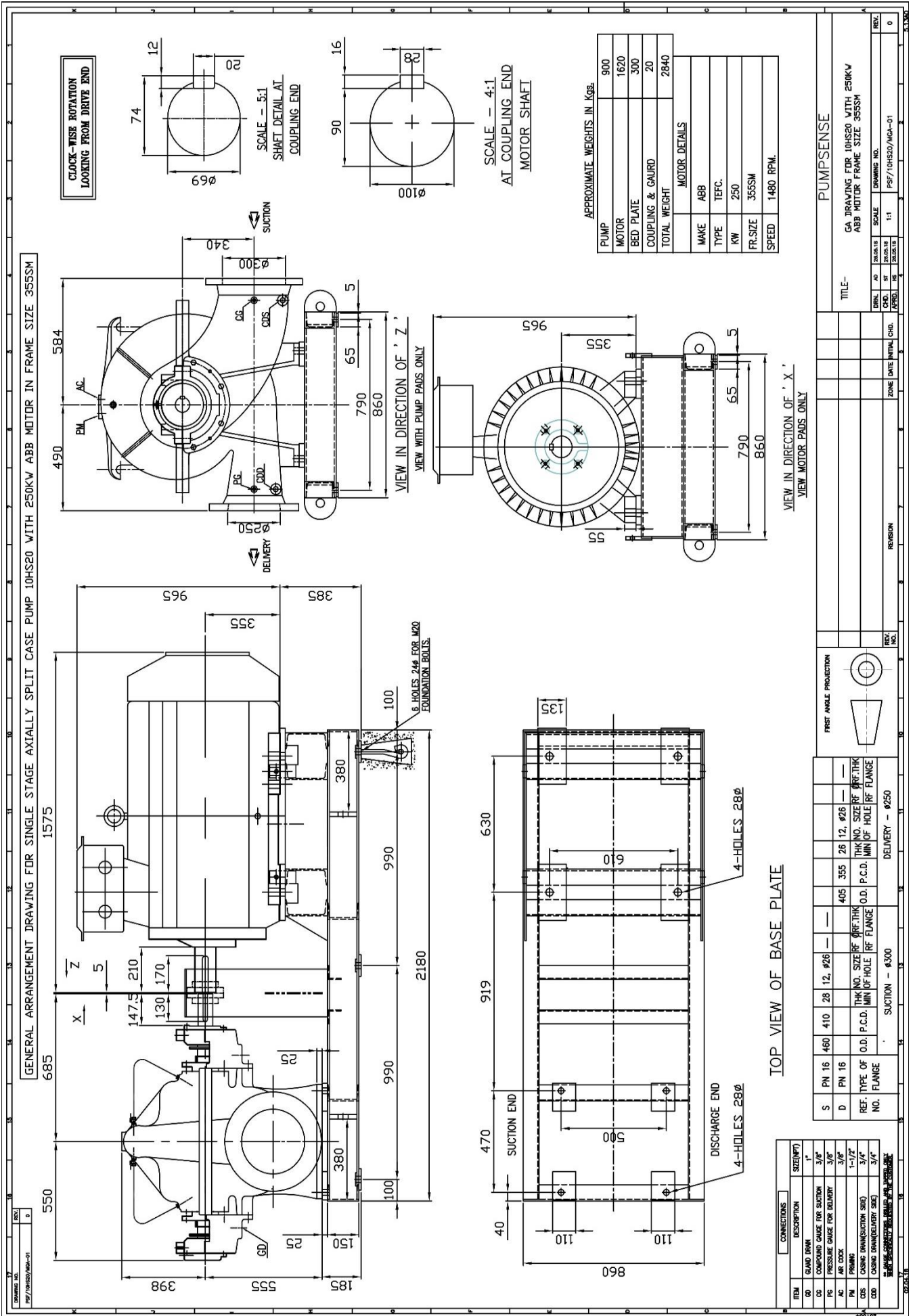
NOTE: CONNECTIONS SHOWN ARE SUBJECT TO CHANGE
SEE SPECIFICATION SHEET FOR THE COMPLETE

S	PN	16	405	355	26	12	26	—	—	—	—	—	—
D	PN	16	—	—	405	355	26	12	26	—	—	—	—
REF. NO.	TYPE OF FLANGE	THK NO. MIN	SIZE OF HOLE	REF. THK	O.D. OF HOLE	P.C.D. OF HOLE	REF. THK	MIN	REF. THK	REF. THK	REF. THK	REF. THK	REF. THK
	NO.	FLANGE	SUCTON - Ø250										
			DELIVERY - Ø250										

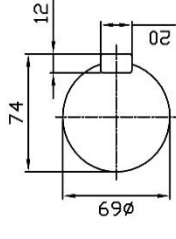
REV	DESCRIPTION	DRN	CHKD	DATE	APPD	NO.	SCALE	REV
0							1:1	0

TITLE: PUMPSENSE
GA DRAWING FOR 10HS17L WITH 315KW ABB MOTOR FRAME SIZE 355ML TYPE-1

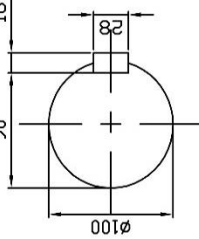
DRN NO 10.11.17
CHKD ST 10.11.17
PRG. NO. PSF/10HS17L/MGA-01



CLOCK-WISE ROTATION
LOOKING FROM DRIVE END



SCALE - 5:1
SHAFT DETAIL AT
COUPLING END



SCALE - 4:1
AT COUPLING END
MOTOR SHAFT

APPROXIMATE WEIGHTS IN KGS.	
PUMP	900
MOTOR	1620
BED PLATE	300
COUPLING & GAIRD	20
TOTAL WEIGHT	2840

MOTOR DETAILS	
MAKE	ABB
TYPE	TEFC.
KW	250
FR.SIZE	355SM
SPEED	1480 RPM.

CONNECTIONS		DESCRIPTION	SIZE (NPT)
GD	GUANO DRAIN		1"
CG	COMPOUND GAUGE FOR SUCTION		3/8"
PG	PRESSURE GAUGE FOR DELIVERY		3/8"
AR	AIR LOCK		3/8"
PR	PRINGS	1-1/2"	
CS	CASING DRAWING(SUCTION END)		3/4"
CD	CASING DRAWING(DELIVERY END)		3/4"

REF. NO.	ITEM NO.	DESCRIPTION	THK. NO. SIZE	MIN. OF HOLE	REF. THK	REF. THK	REF. THK	REF. THK
	S	PN 16 460 410 28 12, #26	—	—	—	—	—	—
	D	PN 16	405 355 26 12, #26	—	—	—	—	—
		REF. TYPE OF NO. FLANGE	O.D.	P.C.D.	MIN OF HOLE	RF FLANGE	RF FLANGE	RF FLANGE
		SUCTION - #300				DELIVERY - #250		

DRW. NO.	REV. NO.	DATE	INITIAL	CHKD.	APPD.	ZONE	DATE	INTM.	CHD.
	1								

REV. NO.	DATE	REVISION
0		

ITEM	DESCRIPTION	THK. NO. SIZE	MIN. OF HOLE	REF. THK	REF. THK	REF. THK	REF. THK
S	PN 16 460 410 28 12, #26	—	—	—	—	—	—
D	PN 16	405 355 26 12, #26	—	—	—	—	—
	REF. TYPE OF NO. FLANGE	O.D.	P.C.D.	MIN OF HOLE	RF FLANGE	RF FLANGE	RF FLANGE
	SUCTION - #300				DELIVERY - #250		

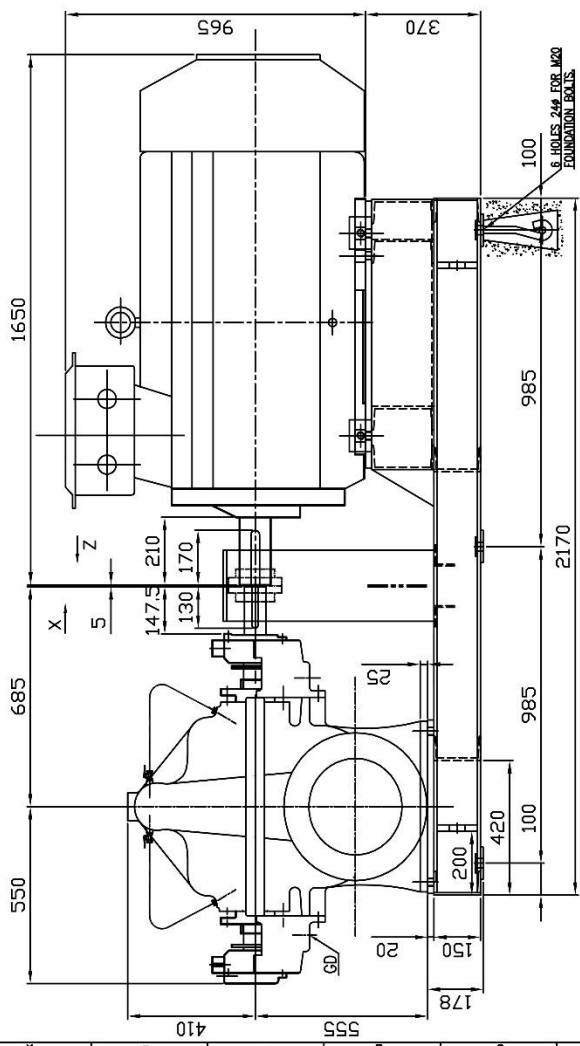
TOP VIEW OF BASE PLATE

860 470 4919 630 40 SUCTION END DISCHARGE END 4-HOLES .28 4-HOLES .28 4-HOLES .28

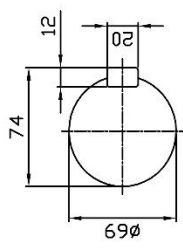
PUMPSERVICE	
TITLE-	GA DRAWING FOR 10HS20 WITH 250KV ABB MOTOR FRAME SIZE 355SM
SCALE	1:1
DRWING NO.	PSF/10HS20/MGA-01

DRAWING NO. PSF/10HS22/MGR-01
REV. 0

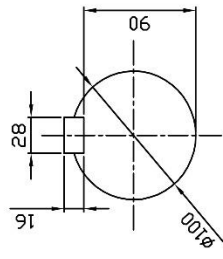
GENERAL ARRANGEMENT DRAWING FOR SINGLE STAGE AXIALLY SPLIT CASE PUMP 10HS22 WITH 315KV ABB MOTOR IN FRAME SIZE 355SM



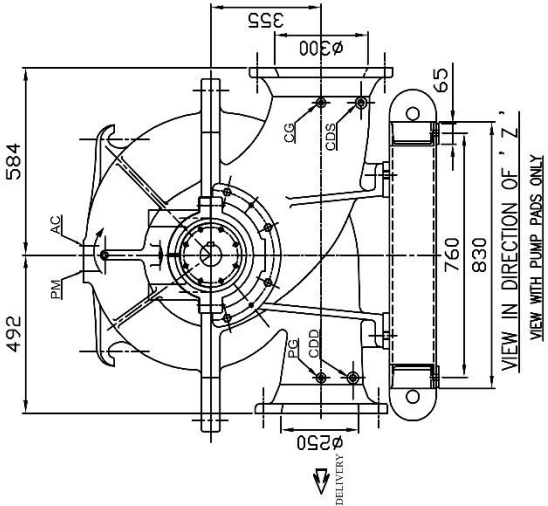
CLOCK-WISE ROTATION
LOOKING FROM DRIVE END



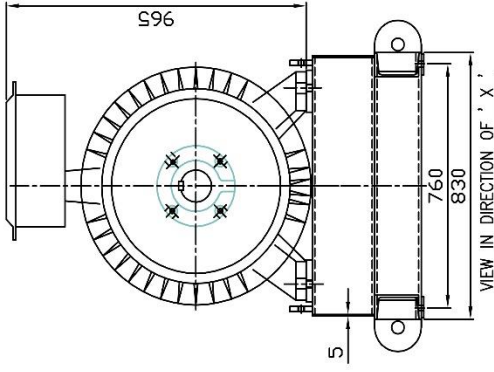
SCALE - 5:1
SHAFT DETAIL AT
COUPLING END



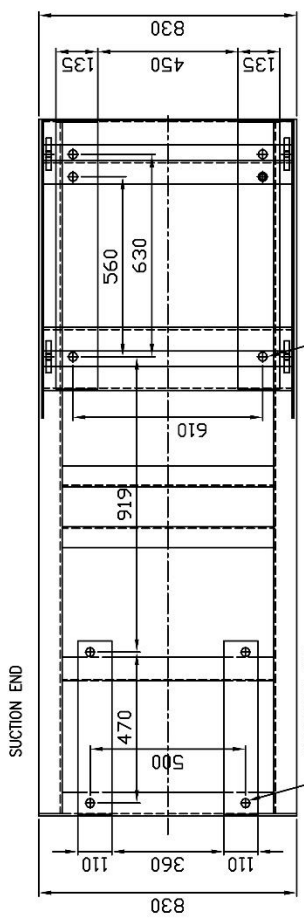
SCALE - 4:1
AT COUPLING END
MOTOR SHAFT



VIEW IN DIRECTION OF 'Z',
VIEW WITH PUMP PADS ONLY



VIEW IN DIRECTION OF 'X',
VIEW MOTOR PADS ONLY



TOP VIEW OF BASE PLATE

APPROXIMATE WEIGHTS IN Kgs.

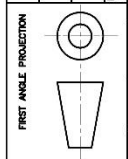
PUMP	1000
MOTOR	1870
BED PLATE	289
COUPLING & GAIRD	20
TOTAL WEIGHT	3189

MOTOR DETAILS

MAKE	ABB
TYPE	TEFC.
KW	315
FR.SIZE	355SM
SPEED	1480 RPM.

ITEM	CONNECTIONS	DESCRIPTION	SIZE(MPT)
GM	CLAMP DOWN		
CS	COMPRESSOR GAGE FOR SUCTION		3/8"
PR	PRESSURE GAGE FOR DELIVERY		3/8"
AC	AIR COCK		1-1/2"
PM	FRAMING		1"
CS	OSING TRANSMISSION SHFT		1"
CS	OSING TRANSMISSION SHFT		1"

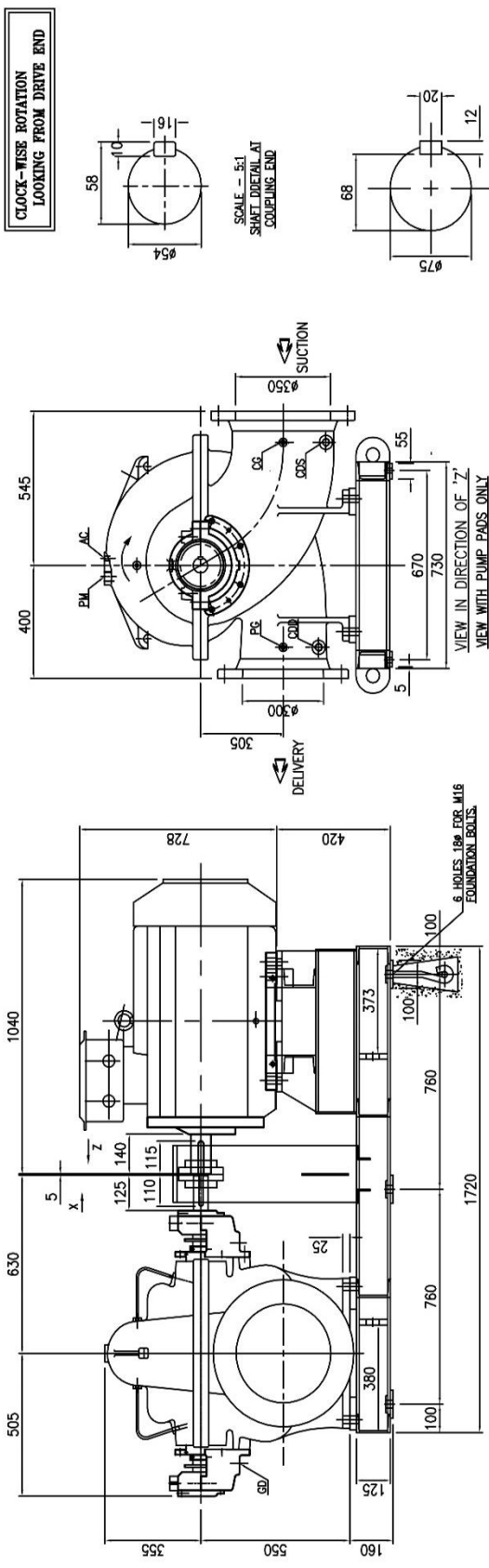
S	PN	16	460	410	28	12	26	26	—	405	355	26	12	26	—
D	PN	16													
REF.	TYPE OF NO.	O.D.	P.C.D.	MIN OF HOLE	RF FLANGE	O.D.	P.C.D.	MIN OF HOLE	RF FLANGE	THK NO.	SIZE	RF	Ø	THK	RF FLANGE
										SUCTION - Ø300			DELIVERY - Ø250		



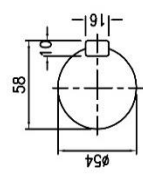
PUMPSENSE
TITLE- GA DRAWING FOR 10HS22 WITH 315KV ABB MOTOR FRAME SIZE 355SM

REV. NO.	DATE	INITIAL	CHD.	BY	SCALE	DRAWING NO.	REV.
0			PSF/10HS22/MGR-01		1:1		0

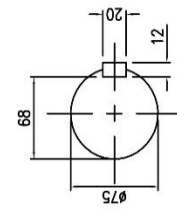
GENERAL ARRANGEMENT DRAWING FOR SINGLE STAGE AXIALLY SPLIT CASE PUMP 12HS13 WITH 90KW ABB MOTOR IN FRAME SIZE 280SM



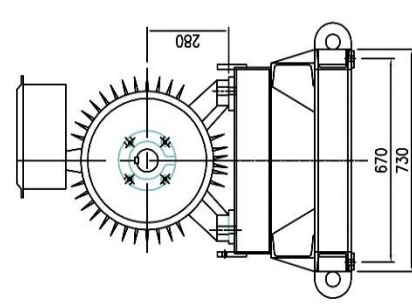
CLOCK-WISE ROTATION
LOOKING FROM DRIVE END



SCALE - 5:1
SHAFT DETAIL AT
COUPLING END



SCALE - 4:1
AT COUPLING END
MOTOR SHAFT



VIEW IN DIRECTION OF 'X'
VIEW MOTOR PADS ONLY

TOP VIEW OF BASE PLATE

APPROXIMATE WEIGHTS IN KGS.	
PUMP	800
MOTOR	680
BED PLATE	168
COUPLING & GAUARD	20
TOTAL WEIGHT	1668

MOTOR DETAILS	
MAKE	ABB
TYPE	TEFC.
KW	90
FR.SIZE	280SM
SPEED	1480 RPM.

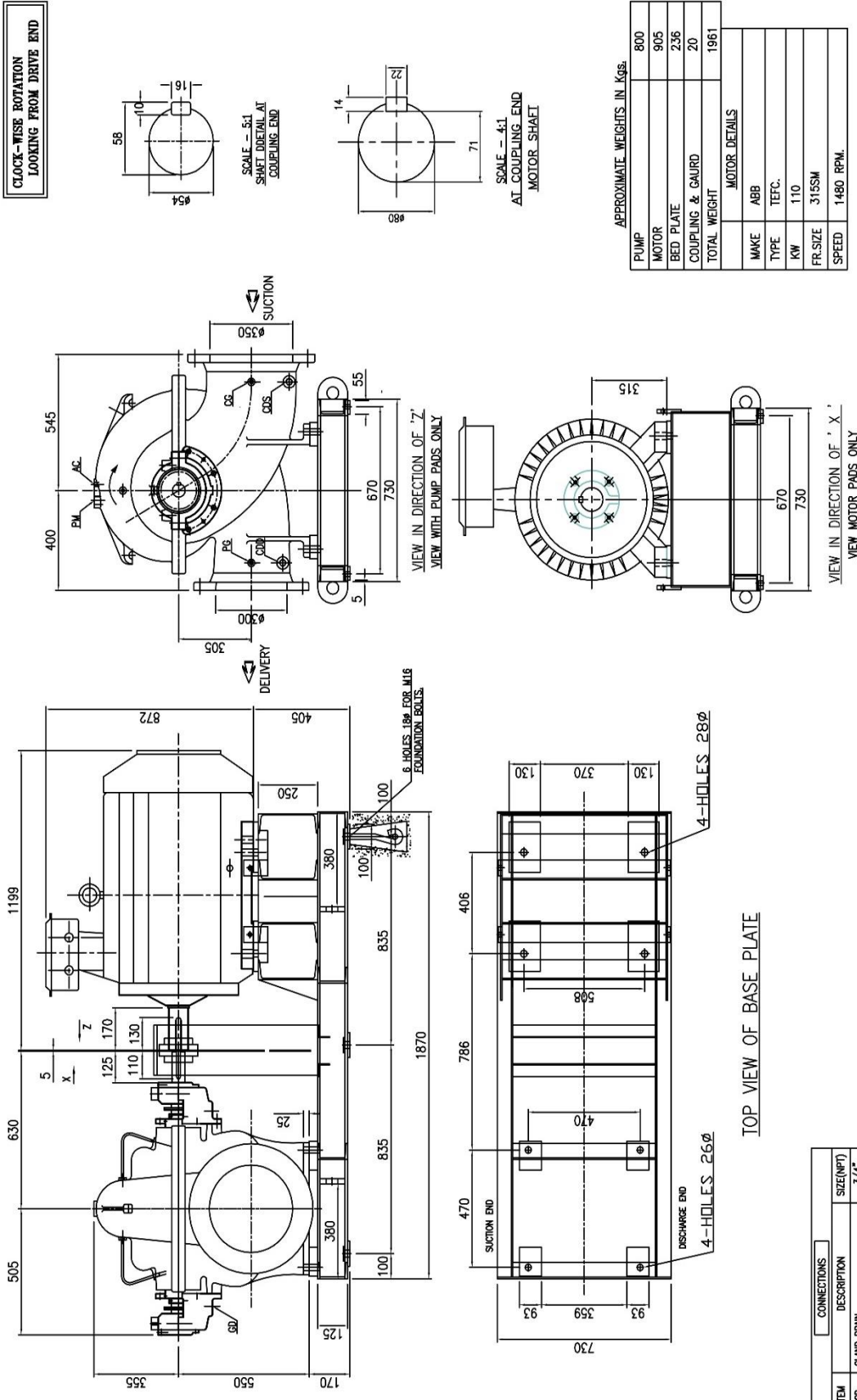
CONNECTIONS		SIZE (NPT)
GD	GLAND DRAIN	3/4"
CG	COMPOUND GAUGE FOR SUCTION	3/8"
PG	PRESSURE GAUGE FOR DELIVERY	3/8"
AC	AIR COCK	3/8"
PM	PRIMING	1"
CDS	CASING DRAIN(SUCTION SIDE)	3/4"
CDD	CASING DRAIN(DELIVERY SIDE)	3/4"

IF GAUGE CONNECTIONS INCLUDE AND TAPPED ONLY
SHOWN SPECIFICALLY INDICATED BY THE DRAWING

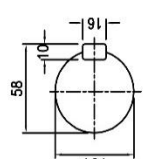
ITEM NO.	DESCRIPTION	REV	DATE	CHKD	APPD	DRN	DESCRIPTION	REV	
S	PN 16	520	470	30	16	Ø26	—	—	—
D	PN 16	—	—	460	410	28	12	Ø26	—
REF.	TYPE OF O.D. P.C.D. MIN OFF HOLE	ØRF THK	O.D. P.C.D. MIN OFF HOLE	ØRF THK	MIN OFF HOLE	ØRF THK	MIN OFF HOLE	ØRF THK	REF. THK
SUCTON - Ø350		DELIVERY - Ø300							

PUMPSENSE	
TITLE-	GA DRAWING FOR 12HS13 WITH 90KW ABB MOTOR FRAME SIZE 280SM TYPE-2
DRN NO	10.11.17
CHKD BY	10.11.17
APPD BY	10.11.17
DRG. NO.	PSF/12HS13/MGA-01
SCALE	1:1
REV	0

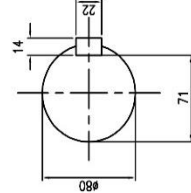
GENERAL ARRANGEMENT DRAWING FOR SINGLE STAGE AXIALLY SPLIT CASE PUMP 12HS13 WITH 110KW ABB MOTOR IN FRAME SIZE 315SM



CLOCK-WISE ROTATION
LOOKING FROM DRIVE END



SCALE - 5:1
SHAFT DIRECTION AT
COUPLING END



SCALE - 4:1
AT COUPLING END
MOTOR SHAFT

APPROXIMATE WEIGHTS IN KGS.	
PUMP	800
MOTOR	905
BED PLATE	236
COUPLING & GAIRD	20
TOTAL WEIGHT	1961

MOTOR DETAILS	
MAKE	ABB
TYPE	TEFC.
KW	110
FR.SIZE	315SM
SPEED	1480 RPM.

TOP VIEW OF BASE PLATE

ITEM	CONNECTIONS DESCRIPTION	SIZE(NPT)
GD	GLAND DRAIN	3/4"
CG	COMPOUND GAUGE FOR SUCTION	3/8"
PG	PRESSURE GAUGE FOR DELIVERY	3/8"
AC	AIR COCK	3/8"
PM	PRIMING	1"
CD	CASING DRAIN(SUCTION SIDE)	3/4"
CD	CASING DRAIN(DELIVERY SIDE)	3/4"

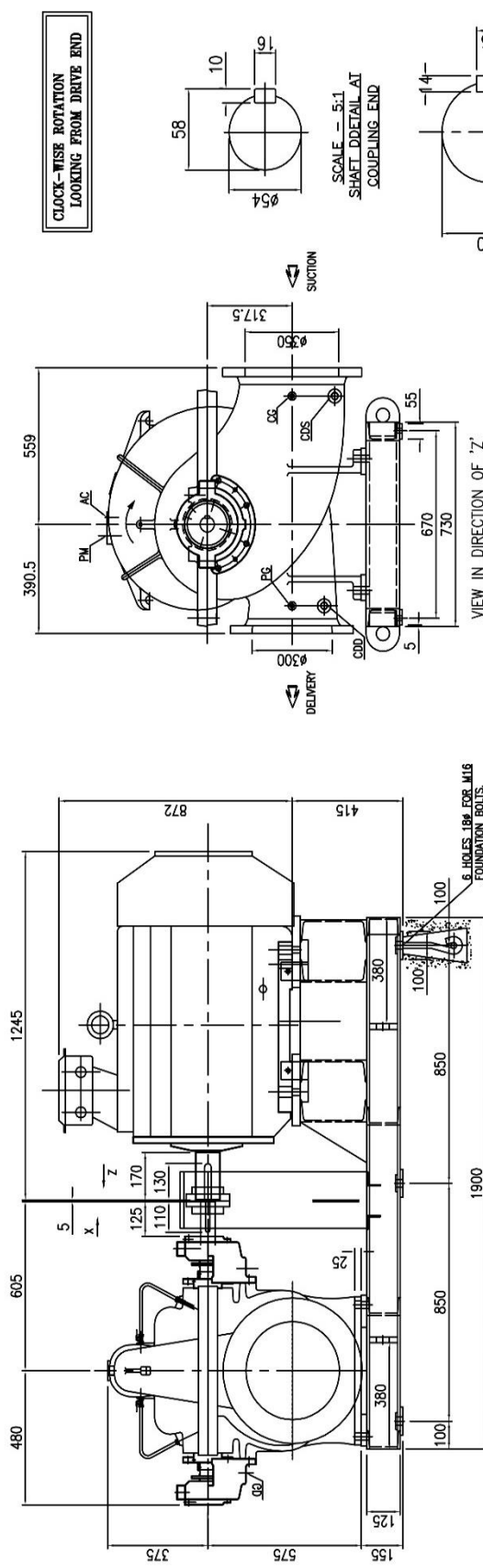
IF RANGE CONNECTIONS ARE USED, AIR PRESSURE MUST BE SPECIFICALLY INDICATED ON THE DRAWING.

S	PN	16	520	470	30	16	Ø26	—	—	—	—	—	—	—	—	—	—	—
D	PN	16							460	410	28	12	Ø26	—	—	—	—	—
REF.	NO.	TYPE OF FLANGE	O.D.	P.C.D.	MIN	OFF HOLE	RF FLANGE	THK	NO.	SIZE	RF	Ø	RF	THK	MIN	OFF HOLE	RF FLANGE	DELIVERY - Ø300
			SUCTION - Ø350															

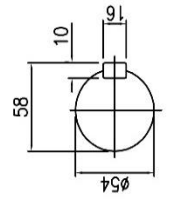
DRN	CHKD	APPD	DATE	DESCRIPTION	REV

PUMPSENSE	
TITLE	GA DRAWING FOR 12HS13 WITH 110KW ABB MOTOR FRAME SIZE 315SM
SCALE	1:1
DRN	10.11.17
CHKD	10.11.17
APPD	10.11.17
DRG. NO.	PSF/12HS13/MGA-01
REV	0

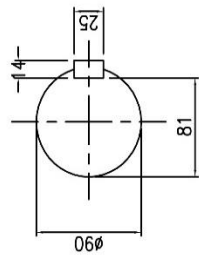
GENERAL ARRANGEMENT DRAWING FOR SINGLE STAGE AXIALLY SPLIT CASE PUMP 12HS15 WITH 150KW ABB MOTOR IN FRAME SIZE 315ML



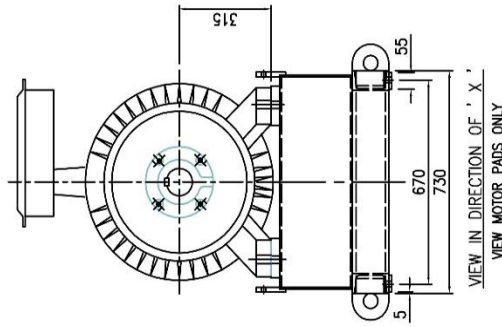
CLOCK-WISE ROTATION
LOOKING FROM DRIVE END



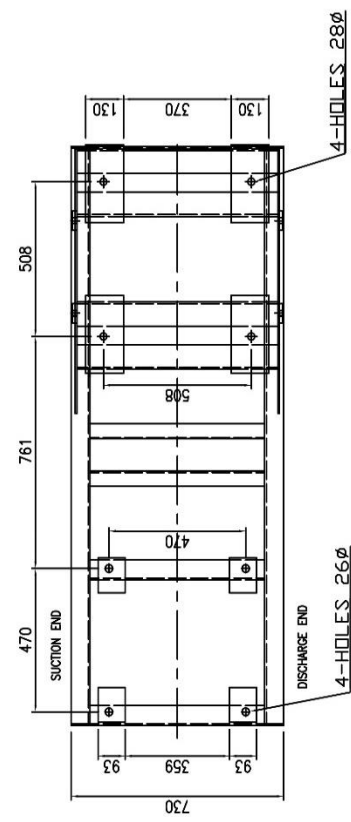
SCALE - 5:1
SHAFT DETAIL AT
COUPLING END



SCALE - 4:1
AT COUPLING END
MOTOR SHAFT



VIEW IN DIRECTION OF ' X '
VIEW MOTOR PADS ONLY



TOP VIEW OF BASE PLATE

APPROXIMATE WEIGHTS IN KGS.

PUMP	740
MOTOR	1110
BED PLATE	252
COUPLING & GAURO	20
TOTAL WEIGHT	2122

MOTOR DETAILS

MAKE	ABB
TYPE	TFC.
KW	150
FR.SIZE	315ML
SPEED	1480 RPM.

CONNECTIONS

ITEM	DESCRIPTION	SIZE(NPT)
GD	GLAND DRAIN	3/4"
CG	COMPOUND GAUGE FOR SUCTION	3/8"
PC	PRESSURE GAUGE FOR DELIVERY	3/8"
AC	AIR COCK	3/8"
PM	FRIMING	1"
CDS	CASING DRAIN(SUCTION SIDE)	3/4"
CDD	CASING DRAIN(DELIVERY SIDE)	3/4"

NOTE: SEE GENERAL ARRANGEMENT DRAWING FOR CONNECTIONS

S	PN	16	520	470	30	16	ø26	—	480	410	28	12	ø28	—
D	PN	16							THK	NO.	SIZE	RF	THK	REF
									O.D.	P.C.D.	MIN	OFF	HOLE	RF
									FLANGE					FLANGE

PUMPSENSE

TITLE: GA DRAWING FOR 12HS15 WITH 150KW ABB MOTOR FRAME SIZE 315ML TYPE-2

DRN	AP	10.11.17	DRG. NO.	FSF/12HS15/MGA-01
CHKD	ST	10.11.17	APPD	0

SCALE 1:1

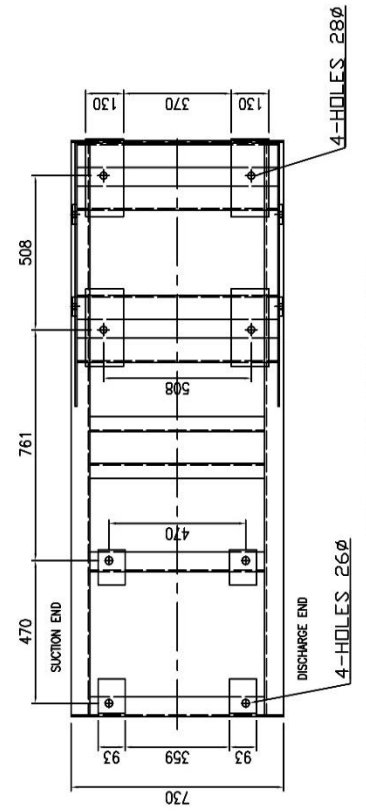
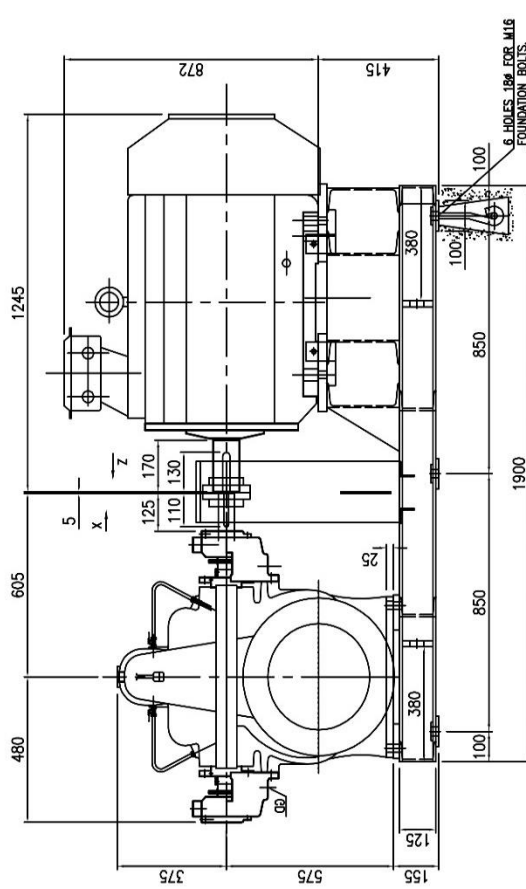
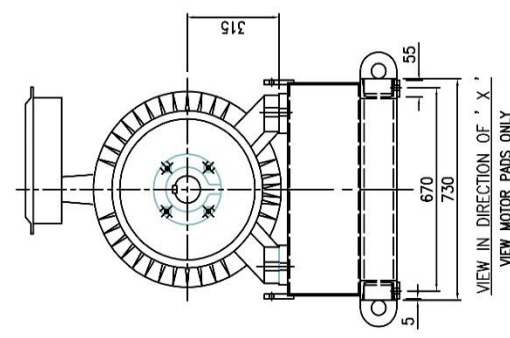
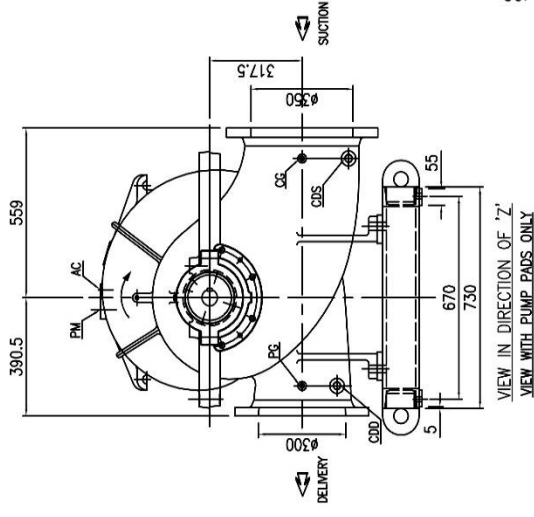
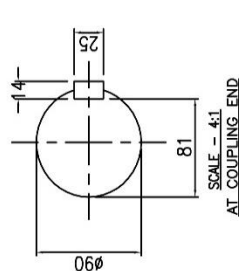
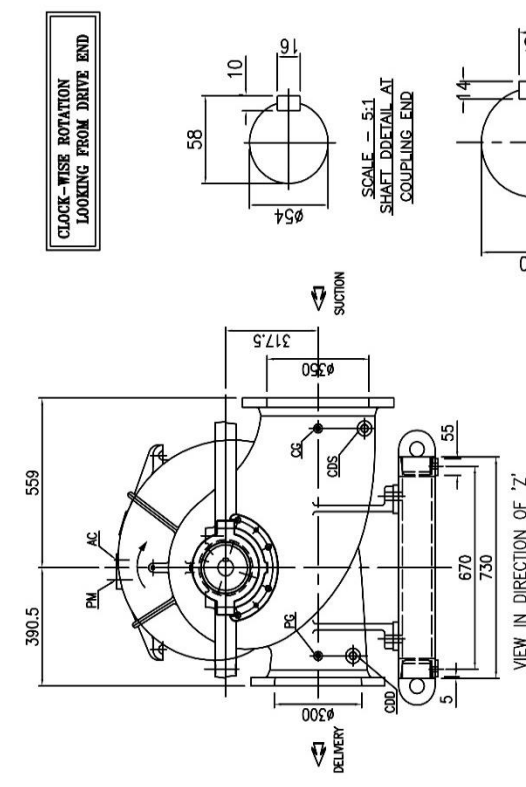
REV	DESCRIPTION	DRN	CHKD	DATE

REV	DESCRIPTION	DRN	CHKD	DATE

REV	DESCRIPTION	DRN	CHKD	DATE

REV	DESCRIPTION	DRN	CHKD	DATE

GENERAL ARRANGEMENT DRAWING FOR SINGLE STAGE AXIALLY SPLIT CASE PUMP 12HS15 WITH 200KW ABB MOTOR IN FRAME SIZE 315ML



APPROXIMATE WEIGHTS IN KGS.

PUMP	740
MOTOR	1260
BED PLATE	252
COUPLING & GAIRD	20
TOTAL WEIGHT	2272

MOTOR DETAILS

MAKE	ABB
TYPE	TEFC.
KW	200
FR.SIZE	315ML
SPEED	1480 RPM.

TITLE		PUMPSENSE	
EA DRAWING FOR 12HS15 WITH 200KW ABB MOTOR FRAME SIZE 315ML		TYPE-1	
DRN No	10.11.17	DRG. NO.	PSF/12HS15/MGA-01
CHKD BY	10.11.17	APPD BY	10.11.17
SCALE	1:1	REV	0

REV	DESCRIPTION	DRN	CHKD	DATE
-----	-------------	-----	------	------

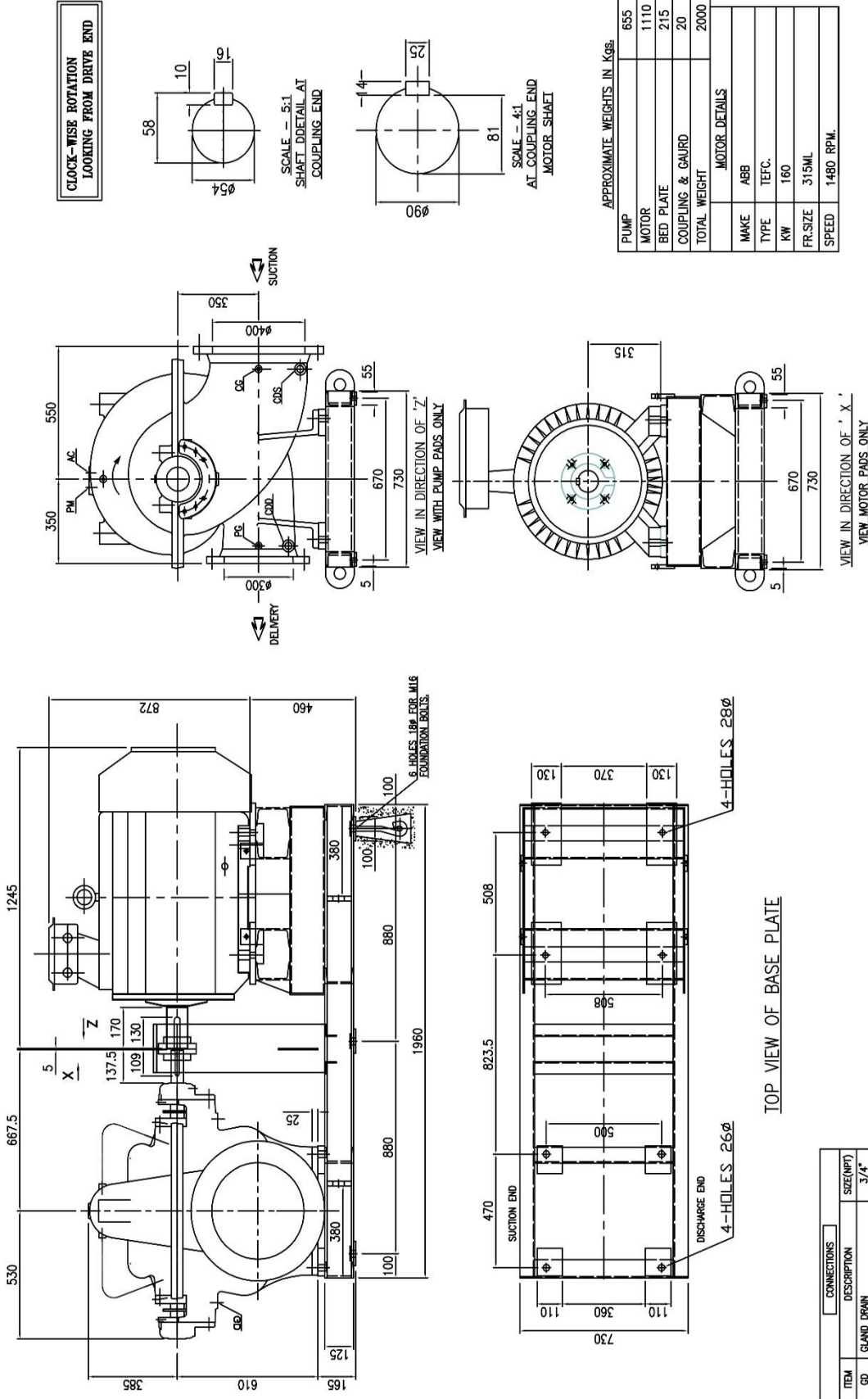
S	PN 16	520	470	30	16	Ø26	—	—	—	DELIVERY - Ø300
D	PN 16	—	—	—	—	—	460	410	28 12, Ø26	—
REF.	TYPE OF NO. FLANGE	O.D.	P.C.D.	MIN	OFF HOLE	RF FLANGE	THK NO.	SIZE RF	ØRF	THK

CONNECTIONS

ITEM	DESCRIPTION	SIZE (NPT)
GD	GLAND DRAIN	3/4"
CS	COMPOUND GAUGE FOR SUCTION	3/8"
PG	PRESSURE GAUGE FOR DELIVERY	3/8"
AC	AIR COCK	3/8"
PM	PRIMING	1"
CDS	CASING DRAIN(SUCTION SIDE)	3/4"
COU	CASING DRAIN(DELIVERY SIDE)	3/4"

■ ALL DIMENSIONS UNLESS OTHERWISE SPECIFIED

GENERAL ARRANGEMENT DRAWING FOR SINGLE STAGE AXIALLY SPLIT CASE PUMP 12HS16 WITH 160KW ABB MOTOR IN FRAME SIZE 315ML



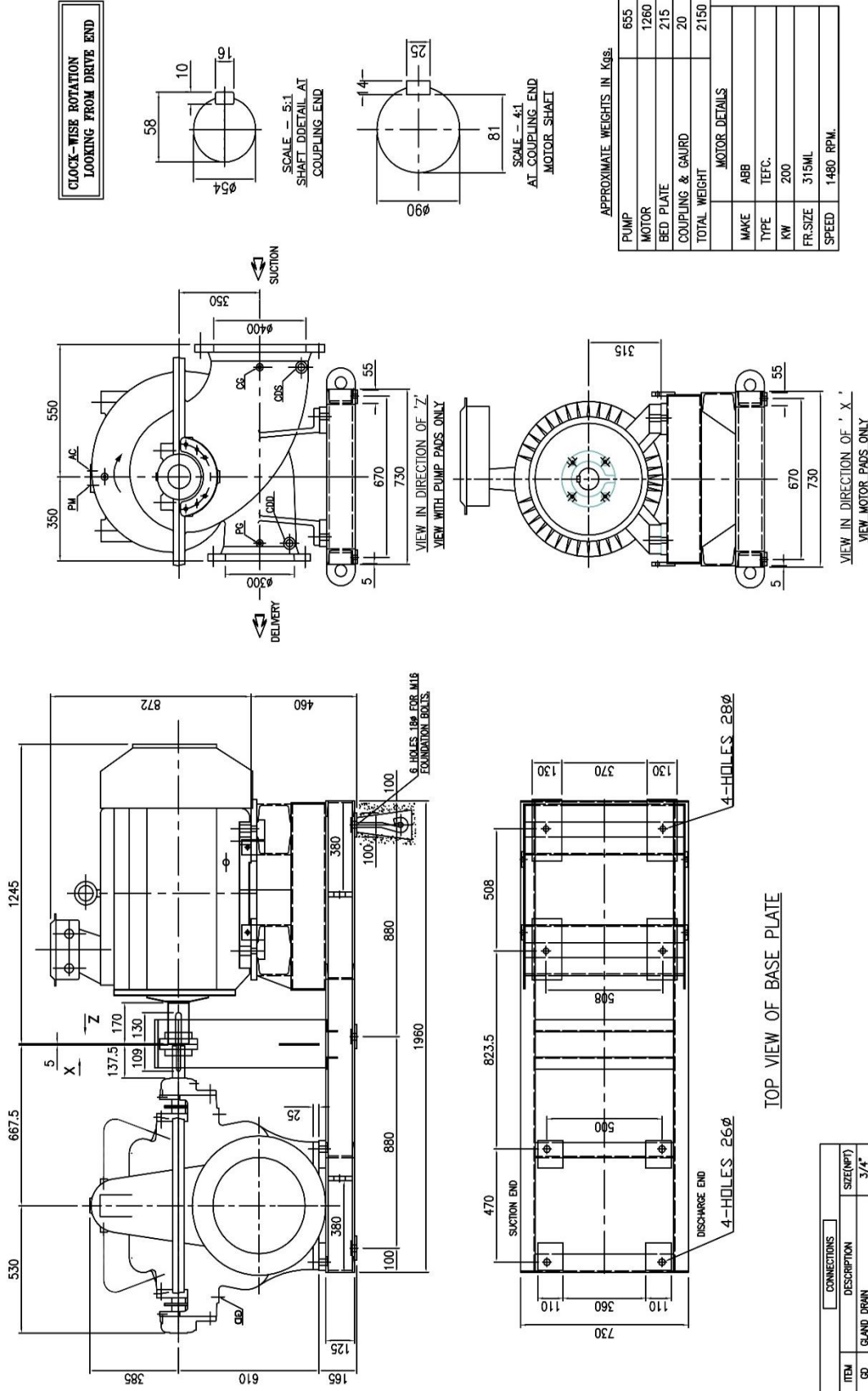
ITEM	CONNECTIONS	DESCRIPTION	SIZE(NPT)
GD		GLAND DRAIN	3/4"
CG		COMPOUND GAUGE FOR SUCTION	3/8"
PG		PRESSURE GAUGE FOR DELIVERY	3/8"
AC		AIR COCK	3/8"
PM		PRIMING	1"
CDS		CASING DRAIN(SUCTION SIDE)	3/4"
ODD		CASING DRAIN(DELIVERY SIDE)	3/4"

S	PN	16	580	525	32	16	30	—	—	—	—	—	—	—	—	—	—	—	
D	PN	16							460	410	28	12	26	—	—	—	—	—	
REF. NO.	TYPE OF FLANGE	O.D.	P.C.D.	MIN OF HOLE	RF	THK	NO. SIZE OF HOLE	RF	THK	NO. SIZE OF HOLE	RF	THK	NO. SIZE OF HOLE	RF	THK	NO. SIZE OF HOLE	RF	THK	
	NO.	FLANGE																	
										SUCTION - ϕ 400					DELIVERY - ϕ 300				

DRN	CHKD	DATE	REV	DESCRIPTION
DRN	10.11.17			
CHKD	10.11.17			
APPD	10.11.17			

TITLE	SCALE	REV
GA DRAWING FOR 12HS16 WITH 160KW ABB MOTOR FRAME SIZE 315ML TYPE-3	1:1	0

GENERAL ARRANGEMENT DRAWING FOR SINGLE STAGE AXIALLY SPLIT CASE PUMP 12HS16 WITH 200KW ABB MOTOR IN FRAME SIZE 315ML



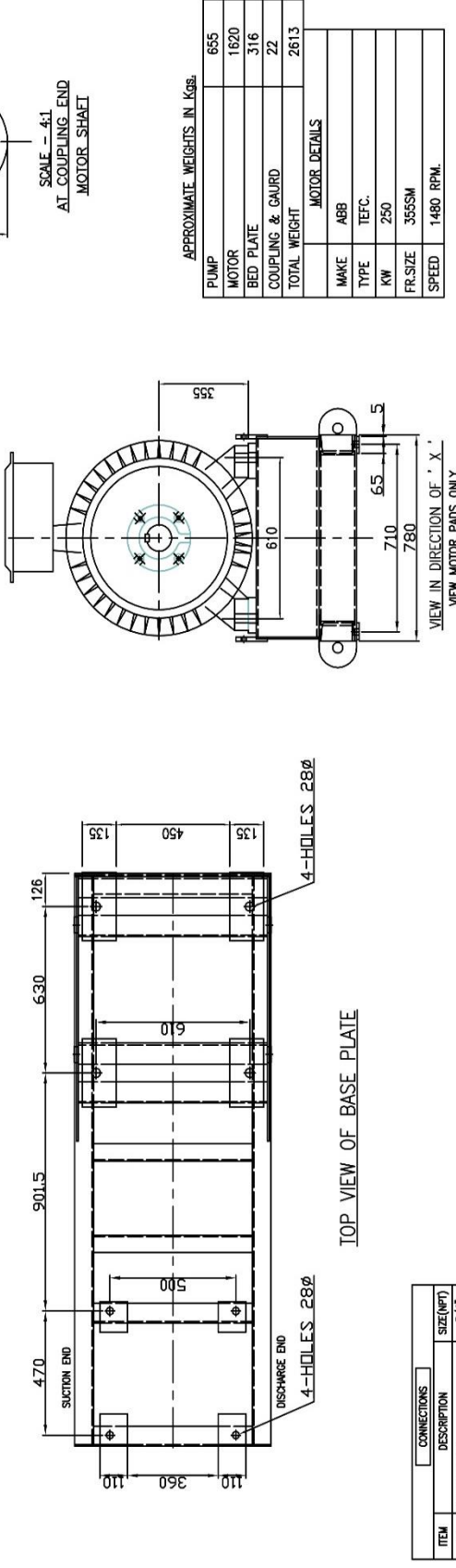
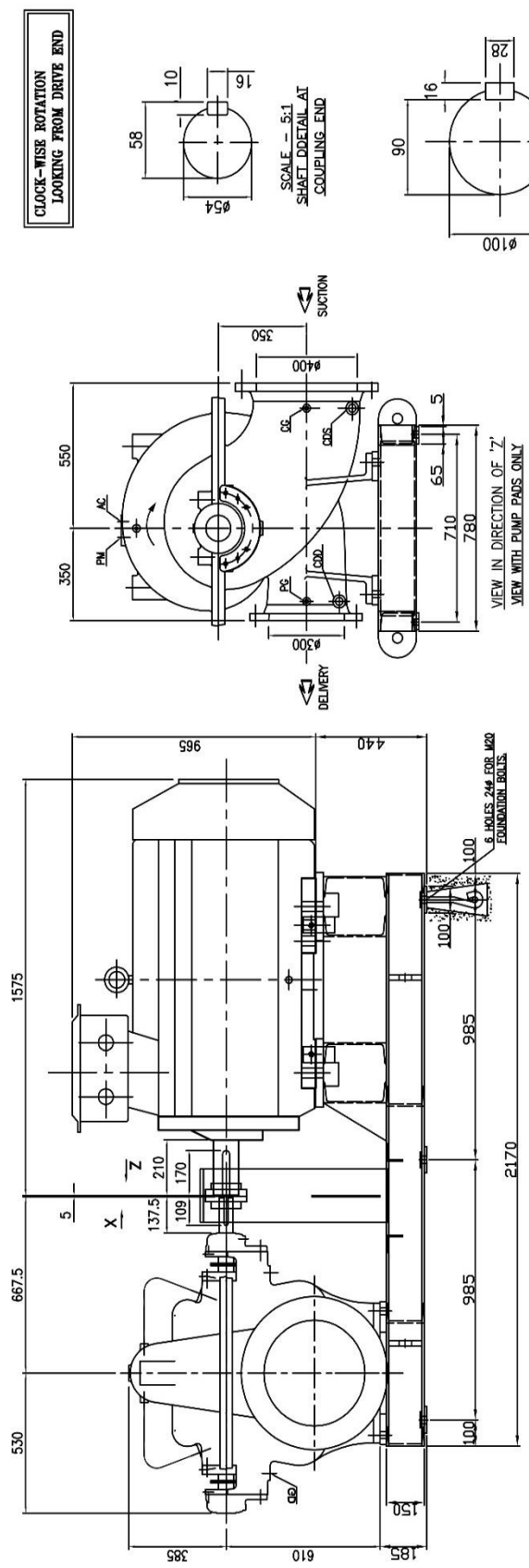
TOP VIEW OF BASE PLATE

CONNECTIONS		
ITEM	SIZE (NPT)	
GD	GLAND DRAIN	3/4"
CG	COMPOUND GAUGE FOR SUCTION	3/8"
PG	PRESSURE GAUGE FOR DELIVERY	3/8"
AC	AIR COCK	3/8"
PM	PRMING	1"
CDS	CASING DRAIN(SUCTION SIDE)	3/4"
ODD	CASING DRAIN(DELIVERY SIDE)	3/4"

S	PN	16	580	525	32	16	30	—	—	—	—	—	—	—	—	—	—	—	—	—	—	—
D	PN	16							460	410	28	12, 26	—	—	—	—	—	—	—	—	—	—
REF.	NO.	TYPE OF FLANGE	O.D.	P.C.D.	MIN OF HOLE	RF FLANGE	THK	NO. SIZE OF HOLE	RF FLANGE	O.D.	P.C.D.	MIN OF HOLE	RF FLANGE	THK	NO. SIZE OF HOLE	RF FLANGE						

TITLE-		PUMPSENSE	
GA BRAVING FOR 12HS16 WITH 200KW			
ABB MOTOR FRAME SIZE 315ML			
TYPE-2			
DRN	AD 10.11.17	DRG. NO.	PSF/12HS16/MGA-01
CHKD	ST 10.11.17		
APPD	MS 10.11.17		
SCALE		1:1	
REV		0	

GENERAL ARRANGEMENT DRAWING FOR SINGLE STAGE AXIALLY SPLIT CASE PUMP 12HS16 WITH 250KW ABB MOTOR IN FRAME SIZE 355SM



APPROXIMATE WEIGHTS IN KGS.

PUMP	655
MOTOR	1620
BED PLATE	316
COUPLING & GAIRD	22
TOTAL WEIGHT	2613

MOTOR DETAILS

MAKE	ABB
TYPE	TEFC.
KW	250
FR SIZE	355SM
SPEED	1480 RPM.

PUMPSENSE

TITLE	GA DRAWING FOR 12HS16 WITH 250KW ABB MOTOR FRAME SIZE 355SM
SCALE	1:1
DRN	AD 22.12.17
CHKD	ST 22.12.17
APPD	HS 22.12.17
DRG. NO.	PSF/12HS16/MCA-01
REV	0

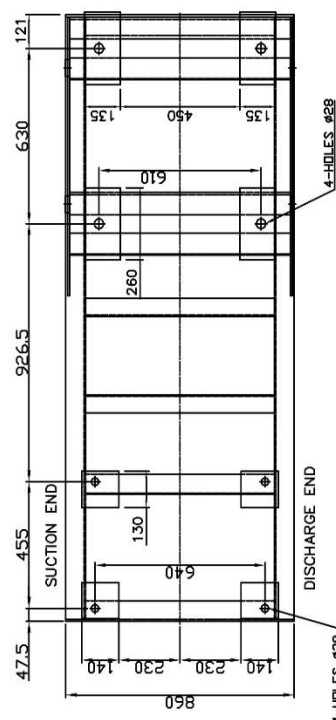
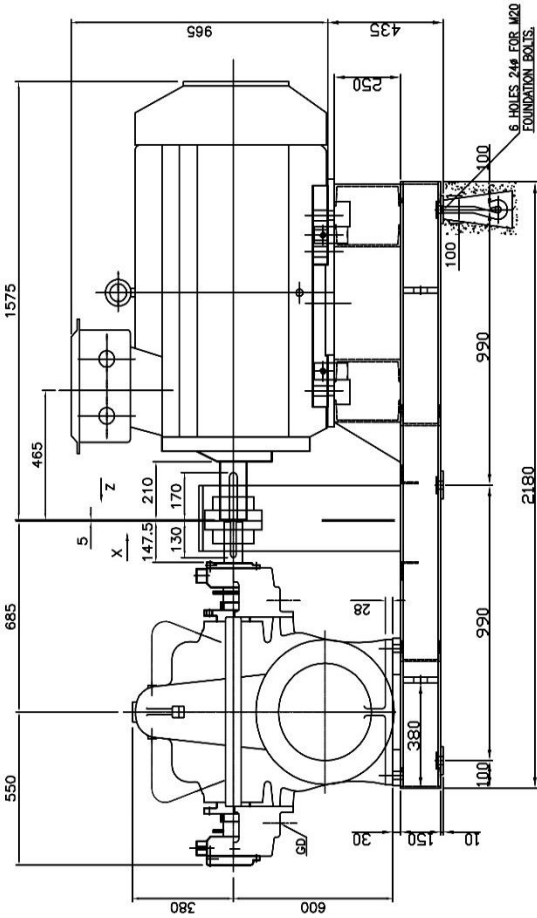
REV	DESCRIPTION	DRN	CHKD	DATE

S	PN 16	580	525	32	16	30	—	—	480	410	28	12	26	—
D	PN 16													
REF.	NO.	TYPE OF FLANGE	O.D.	P.C.D.	MIN OF HOLE	RF FLANGE	RF FLANGE	RF FLANGE	O.D.	P.C.D.	MIN OF HOLE	RF FLANGE	RF FLANGE	RF FLANGE
SUCTION - Ø400 DELIVERY - Ø300														

CONNECTIONS

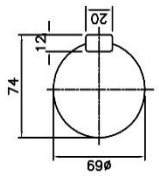
ITEM	DESCRIPTION	SIZE (NPT)
GD	GLAND DRAIN	3/4"
CG	COMPOUND GAUGE FOR SUCTION	3/8"
PG	PRESSURE GAUGE FOR DELIVERY	3/8"
AC	AIR COCK	3/8"
PM	PRIMING	1"
CDS	CASING DRAIN(SUCTION SIDE)	3/4"
DDD	CASING DRAIN(DELIVERY SIDE)	3/4"

GENERAL ARRANGEMENT DRAWING FOR SINGLE STAGE AXIALLY SPLIT CASE PUMP 12HS18 WITH 250KW ABB MOTOR

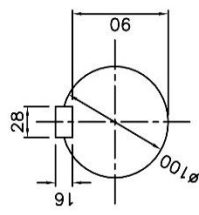


TOP VIEW OF BASE PLATE

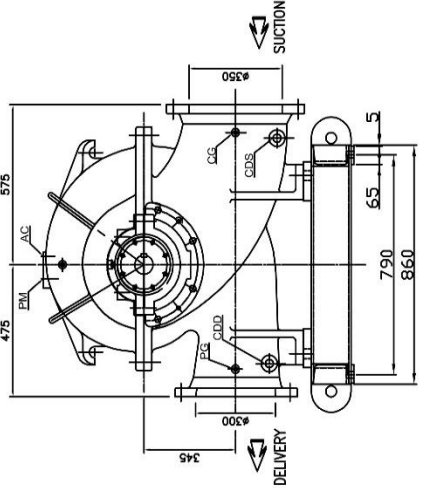
CLOCK-WISE ROTATION
LOOKING FROM DRIVE END



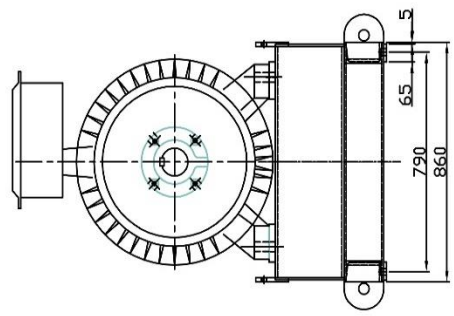
SCALE - 5:1
DETAIL OF SHAFT
AT COUPLING END



SCALE - 4:1
AT COUPLING END
MOTOR SHAFT



VIEW WITH PUMP PARTS ONLY
VIEW IN DIRECTION OF 'Z'



VIEW WITH MOTOR PARTS ONLY
VIEW IN DIRECTION OF 'X'

APPROXIMATE WEIGHTS IN KGS.

PUMP	964
MOTOR	1620
BED PLATE	342
COUPLING & GAIRD	30
TOTAL WEIGHT	2956
MOTOR DETAILS	
MAKE	ABB
KW	250
FR. SIZE	355SM
SPEED	1460 RPM.

ITEM	DESCRIPTION	SIZE(NPT)
GD	GLAND DRN	1"
CG	COMPOUND GANGE FOR SUCTION	3/8"
PG	PRESSURE GANGE FOR DELIVERY	3/8"
AC	AIR COCK	3/8"
PM	PRIMG	1-1/2"
CDS	CASING DRN(SUCTION SIDE)	1"
CDO	CASING DRN(DELIVERY SIDE)	1"

S	PN 16	520	470	30	16	Ø28	—	—	—	—	—	—	—	—
D	PN 16	—	—	—	—	—	460	410	28	12	Ø26	—	—	—
REF. TYPE OF NO. FLANGE														
O.D. P.C.D. MIN OF HOLE														
THK. NO. SIZERF ØRF. THK														
O.D. P.C.D. MIN OF HOLE														
RF FLANGE														
RF FLANGE														
SUCTION — Ø350														
DELIVERY — Ø300														

REV	DESCRIPTION	DRN	CHKD	DATE	APPD

PUMPSENSE

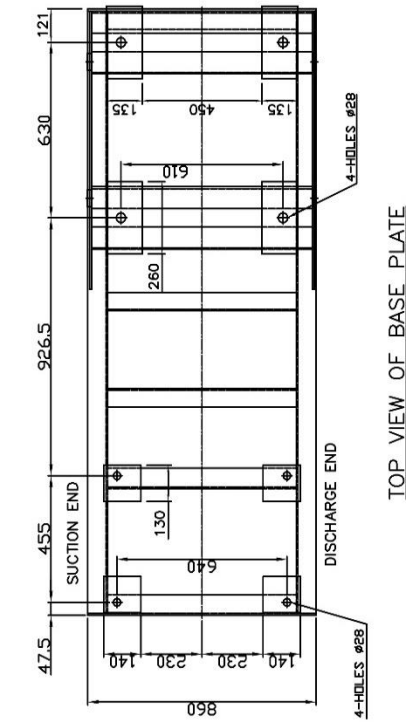
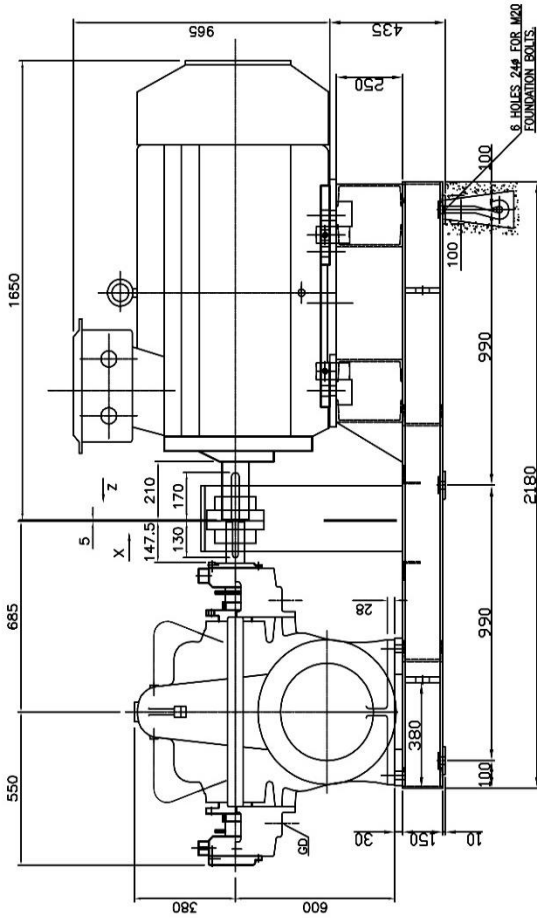
TITLE: SA DRAWING FOR 12HS18 (CW) WITH 250KW MOTOR FRAME SIZE 355SM44

SCALE 1:1

DRN AD 13.09.17 DRG. NO. 12HS18/GA-01/0

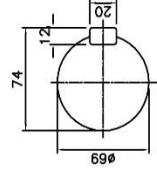
CHKD ST 13.09.17 APPD HS 13.09.17

GENERAL ARRANGEMENT DRAWING FOR SINGLE STAGE AXIALLY SPLIT CASE PUMP 12HS18 WITH 315KW ABB MOTOR

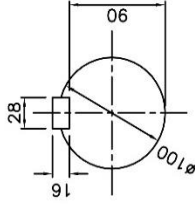


TOP VIEW OF BASE PLATE

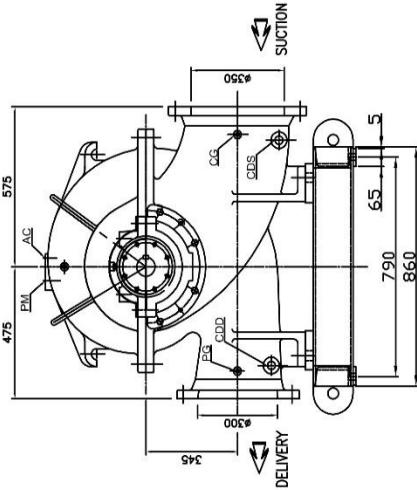
CLOCK-WISE ROTATION
LOOKING FROM DRIVE END



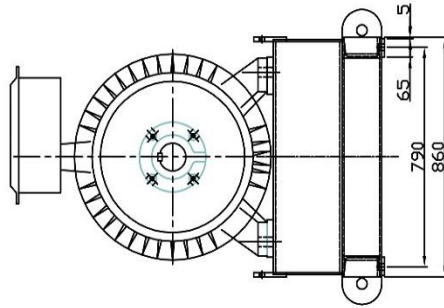
SCALE - 5:1
DETAIL OF SHAFT
AT COUPLING END



SCALE - 4:1
AT COUPLING END
MOTOR SHAFT



VIEW WITH PUMP PADS ONLY
VIEW IN DIRECTION OF 'Z'



VIEW IN DIRECTION OF 'X'
VIEW WITH MOTOR PADS ONLY

APPROXIMATE WEIGHTS IN KGS.

PUMP	964
MOTOR	1870
BED PLATE	342
COUPLING & GAIRD	30
TOTAL WEIGHT	3206
MOTOR DETAILS	
MAKE	ABB
KW	315
FR.SIZE	355ML
SPEED	1480 RPM.

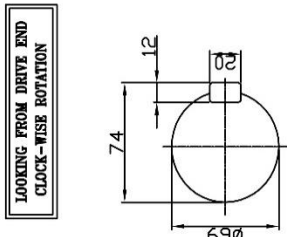
ITEM	DESCRIPTION	SIZE(NPT)
GD	GLAND DRUM	1"
CG	COMPOUND GANGE FOR SUCTION	3/8"
PG	PRESSURE GANGE FOR DELIVERY	3/8"
AC	AIR COCK	3/8"
PM	PRIMING	1-1/2"
CDS	CASING DRAIN(SUCTION SIDE)	1"
DD	CASING DRAIN(DELIVERY SIDE)	1"

REF. NO.	TYPE OF FLANGE	O.D.	P.C.D.	MIN OF HOLE	RF FLANGE	THK. NO. SIZER	RF THK	THK NO. SIZER	RF THK	RF FLANGE			
S	PN 16	520	470	30	16	028	—	460	410	28	12	026	—
D	PN 16	—	—	—	—	—	—	—	—	—	—	—	—

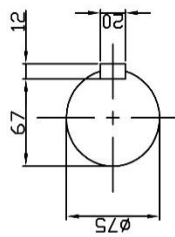
SUCTION - Ø350 DELIVERY - Ø300

REV	DESCRIPTION	DRN	CHKD	DATE	APPD	MS	12HS18/GA-01/0	REV	0	
TITLE:-	PUMPSENSE							SCALE	1:1	
	SA DRAWING FOR 12HS18 (CW) WITH 315KW MOTOR FRAME SIZE 355ML									
DRN	MS	13.09.17	DRG. NO.							
CHKD	MS	13.09.17								

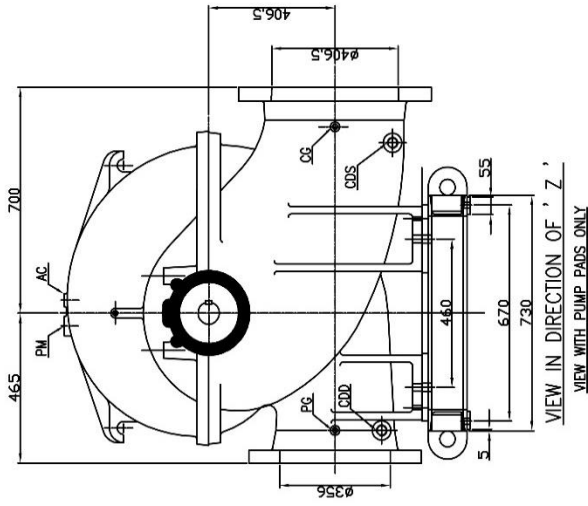
GENERAL ARRANGEMENT DRAWING FOR SINGLE STAGE AXIALLY SPLIT CASE PUMP 14HS16 WITH 37 KW 8 POLE MOTOR, FRAME SIZE 280 S



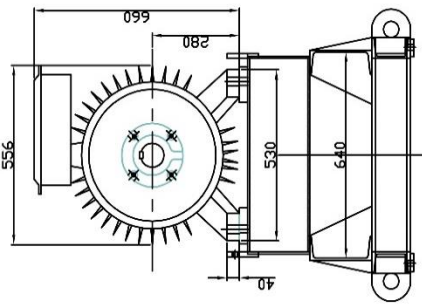
SCALE - 5:1
SHAFT DETAIL AT
COUPLING END



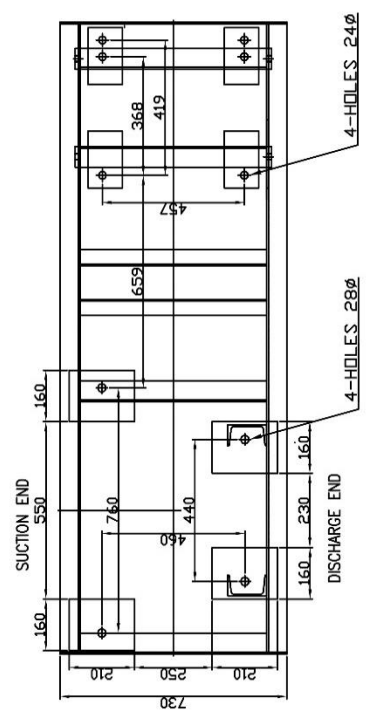
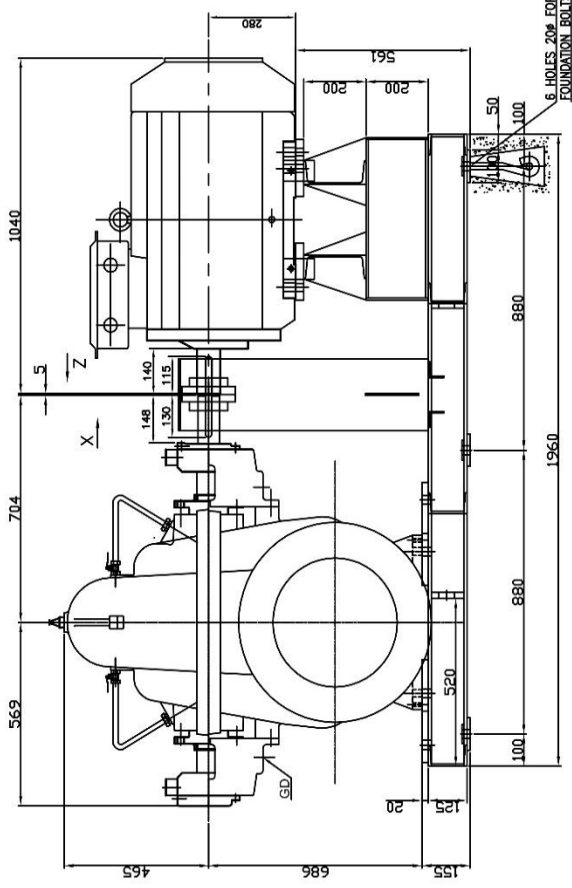
SCALE - 4:1
AT COUPLING END
MOTOR SHAFT



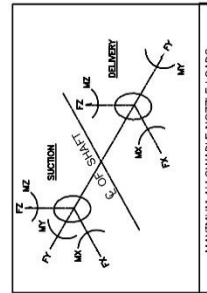
VIEW IN DIRECTION OF ' Z '
VIEW WITH PUMP PADS ONLY



VIEW IN DIRECTION OF ' X '
MOTOR PADS ONLY



TOP VIEW OF BASE PLATE



BRANCH	FORCES IN (N)						MOMENTS IN (NM)					
	FX	FY	FZ	MX	MY	MZ	FX	FY	FZ	MX	MY	MZ
SUCTION	400	11950	10750	13300	9700	690	9700	9700	13300	9700	690	7950
DELIVERY	350	10900	9400	11600	7720	5300	5300	7720	11600	7720	5300	6300

APPROXIMATE WEIGHTS IN KGS.	
PUMP	1600
MOTOR	590
BED PLATE	168
COUPLING & GAIRD	25
TOTAL WEIGHT	2383

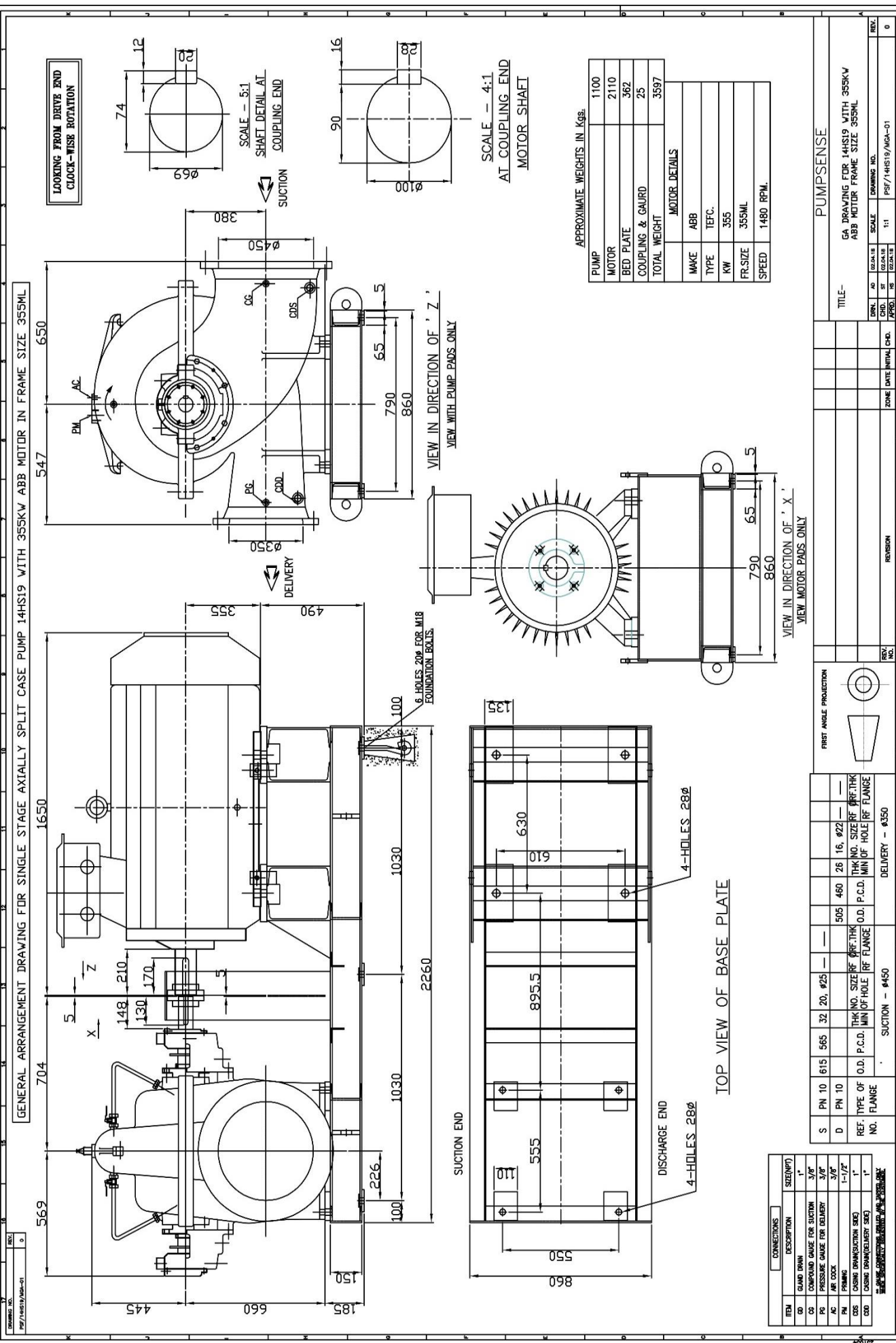
CLIENT		PROJECT		SUPPLIER	
ASB Pumps Limited (For NATIONAL WATER SUPPLY & DRAINAGE BOARD)	#94424187	POLGARAVELA, POTHURERA AND ALAWWA INTEGRATED WATER SUPPLY PROJECT	PUMPENSE FLUID ENGINEERING PVT.LTD.	HORIZONTAL DIRECT COUPLED SPLIT CASE 'BACKWASH PUMP'	PUMP DUTY PARAMETER
DISCHARGE HEAD	1220 M TR				
TYPE	100% Synthetic rubber edge rubber lined				
WV	37				
FR SIZE	280S				
SPEED	746 RPM				
MOTOR RATING	37 KW				

TITLE		SCALE		DRAWING NO.	
GA DRAWING FOR 14HS16 (CW) HORIZONTAL DIRECT COUPLED SPLIT CASE PUMP WITH 37 KW 8 POLE MOTOR, FRAME SIZE 280 S		1:1	1:1	PSF/14HS16/MGP-01	0
DRN.	AD	11.08.18	11.08.18	11	0
CRD.	ST	11.08.18	11.08.18		
APRD.	HS	11.08.18			
REV.	NO.				
DATE	INITIAL	CHK.			
ZONE	REVISION				

FIRST ANGLE PROJECTION	
REF. TYPE OF NO. FLANGE	SUCTION - 400 (16")
REF. TYPE OF O.D. P.C.D. MIN OFF-HOLE RF FLANGE	DELIVERY - 350 (14")
THK NO. SIZE RFP RF THK	
THK NO. SIZE RFP RF THK	
MIN OFF-HOLE RF FLANGE	
P.C.D. MIN OFF-HOLE RF FLANGE	
O.D. P.C.D. MIN OFF-HOLE RF FLANGE	
4	
16, 430	
30	
16, 430	
438	
4	
520	
470	
30	
16, 430	
4	
525	
32	
16, 430	
490	
4	

COUPLING DATA	
MAKE & BRAND	RATHI UDYOG, LOVE JOY
SIZE & TYPE	RB 198-10, FLEXIBLE PIN BUSH TYPE
SERVICE FACTOR	1.2

ITEM	DESCRIPTION	QTY	UNIT
1	COUPLING	1	PC
2	SHAFT	1	PC
3	KEY	1	PC
4	WASHER	1	PC
5	NUT	1	PC
6	FLANGE	1	PC
7	FLANGE	1	PC
8	FLANGE	1	PC
9	FLANGE	1	PC
10	FLANGE	1	PC



GENERAL ARRANGEMENT DRAWING FOR SINGLE STAGE AXIALLY SPLIT CASE PUMP 14HS19 WITH 355KW ABB MOTOR IN FRAME SIZE 355MIL

LOOKING FROM DRIVE END
CLOCK-WISE ROTATION

SCALE - 5:1
SHAFT DETAIL AT
COUPLING END

SCALE - 4:1
AT COUPLING END
MOTOR SHAFT

APPROXIMATE WEIGHTS IN Kgs.

PUMP	1100
MOTOR	2110
BED PLATE	362
COUPLING & GAURD	25
TOTAL WEIGHT	3597
MOTOR DETAILS	
MAKE	ABB
TYPE	TEFC.
KW	355
FR.SIZE	355MIL
SPEED	1480 RPM.

PUMPSENSE

TITLE-
GA DRAWING FOR 14HS19 WITH 355KW
ABB MOTOR FRAME SIZE 355MIL

DRN. NO.	02/24/18	SCALE	1:1
CHD. ST.	02/24/18	DATE	
APRD.	02/24/18	REV.	0

FIRST ANGLE PROJECTION



S	PN 10	615	565	32	20, #25	505	460	26	16, #22	—	—
D	PN 10	—	—	—	—	505	460	26	16, #22	—	—
REF. NO.	FLANGE	O.D.	P.C.D.	MIN OF HOLE	IR	THK	NO. SIZE	IR	THK	NO. SIZE	IR
NO.	FLANGE	O.D.	P.C.D.	MIN OF HOLE	IR	THK	NO. SIZE	IR	THK	NO. SIZE	IR
		—	—	—	—	—	—	—	—	—	—

ITEM	DESCRIPTION	SIZE(WPT)
GD	GAUD DRAWN	1"
CG	COMPOUND GAUGE FOR SUCTION	3/8"
PS	PRESSURE GAUGE FOR DELIVERY	3/8"
AC	AIR COCK	3/8"
PN	FRAMING	1-1/2"
OS	CASING (SUCTION SIDE)	1"
OD	CASING (DELIVERY SIDE)	1"

TOP VIEW OF BASE PLATE

SUCTION END

DISCHARGE END

VIEW IN DIRECTION OF ' Z '

VIEW IN DIRECTION OF ' X '

VIEW WITH PUMP PADS ONLY

VIEW MOTOR PADS ONLY

6 HOLES 20# FOR M18
FOUNDATION BOLTS.

4-HOLES .28Ø

4-HOLES .28Ø

REV. NO.		REVISION	
DATE		INITIAL	
ZONE			