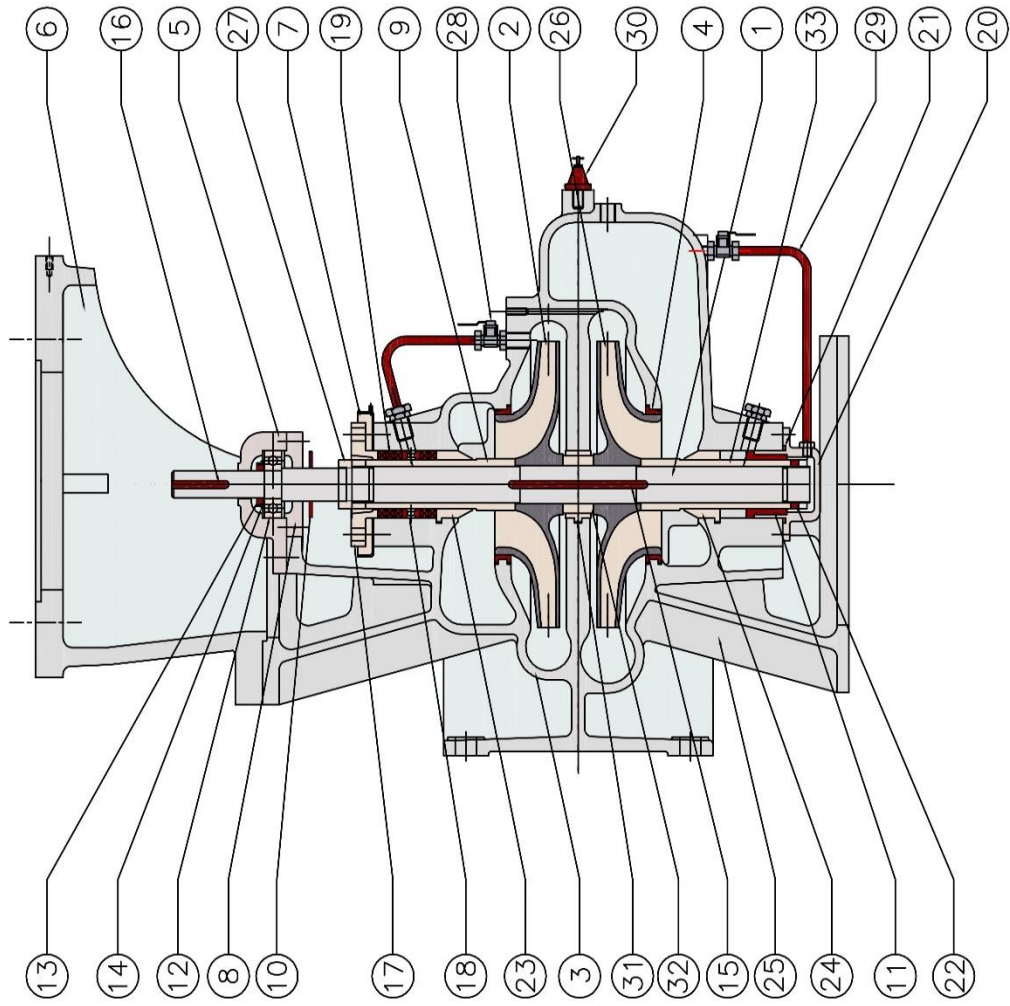


CROSS SECTIONAL DRAWING FOR SINGLE ENTRY IMPELLER WITH INTERNAL
 CROSS-OVER VERTICAL TWO STAGE PUMP WITH PACKED GLAND



SL.NO.	DESCRIPTION	QTY.	PART NO.
1	SHAFT	1	177
2	IMPELLER 1st STAGE (L.H.)	1	102-L
3	CASING	1	178
4	CASING WEAR RING	2	129
5	BEARING HOUSING (P.E)	1	159
6	MOTOR STOOL	1	172
7	GLAND DRAIN TRAY	1	307
8	BEARING END COVER INNER (P.E)	1	276
9	SHAFT SLEEVE (P.E)	1	150
10	WATER THROWER	1	169
11	BOTTOM BRG. BUSH(THORDON MAKE)	1	162
12	ANGULAR CONTACT BALL BEARING (P.E)	1	195
13	BEARING LOCK NUT	1	163
14	BEARING LOCK WASHER	1	164
15	IMPELLER KEY	1	180
16	COUPLING KEY	1	138
17	SPLIT GLAND	1	144
18	LANTERN RING	1	149
19	GLAND PACKING	-	143
20	BOTTOM BUSH CARRIER	1	166
21	'O' RING FOR BOTTOM BUSH CARRIER	1	290
22	SLEEVE NUT (F.E)	1	289
23	STUFFING BOX BUSH (P.E)	1	260
24	STUFFING BOX BUSH (F.E)	1	292
25	PUMP STOOL	1	171
26	IMPELLER 2nd STAGE (R.H.)	1	102-R
27	SLEEVE NUT (P.E)	2	146
28	BALL VALVE	2	-
29	SEAL FLUSHING LINE	2	118
30	AIR COCK	1	114
31	INTER STAGE BUSH	1	300
32	INTER STAGE COLLAR	1	301
33	SLEEVE UNDER BUSH (F.E)	1	176

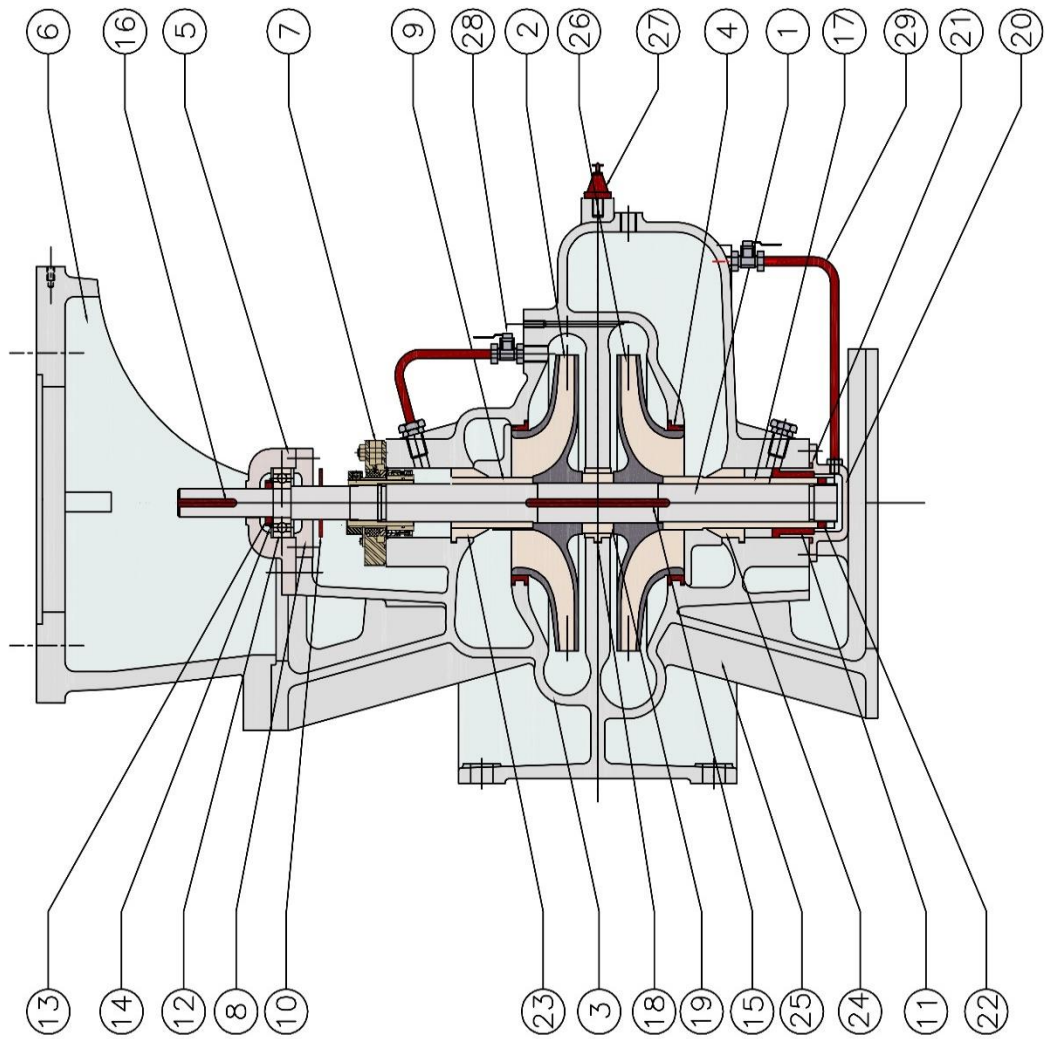
** P.E- POWER END , F.E -FREE END.



PUMPSENSE

DRN	AD	08.12.15	ASSEMBLY NO.
APPD	HS	REV	GP/SEINT-07-346
		0	

CROSS SECTIONAL DRAWING FOR SINGLE ENTRY IMPELLER WITH INTERNAL
CROSS-OVER VERTICAL TWO STAGE PUMP WITH CATRIDGE MECHANICAL SEALS



SL.NO.	DESCRIPTION	QTY.	PART NO.
1	SHAFT	1	182
2	IMPELLER 1st STAGE (L.H.)	1	102-L
3	CASING	1	158
4	CASING WEAR RING	2	129
5	BEARING HOUSING (P.E)	1	159
6	MOTOR STOOL	1	172
7	BALANCED CARTRIDGE MECHANICAL SEAL	1	151
8	BEARING END COVER INNER (P.E)	1	276
9	IMPELLER NUT (P.E)	1	302
10	WATER THROWER	1	169
11	BOTTOM BRG. BUSH(THORDON MAKE)	1	162
12	ANGULAR CONTACT BALL BEARING (P.E)	1	195
13	BEARING LOCK NUT	1	163
14	BEARING LOCK WASHER	1	164
15	IMPELLER KEY	1	137
16	COUPLING KEY	1	138
17	SLEEVE UNDER BUSH (F.E)	1	176
18	INTER STAGE BUSH	1	300
19	INTER STAGE COLLAR	1	301
20	BOTTOM BUSH CARRIER	1	166
21	'O' RING FOR BOTTOM BUSH CARRIER	1	290
22	SLEEVE NUT (F.E)	1	289
23	STUFFING BOX BUSH (P.E)	1	260
24	STUFFING BOX BUSH (F.E)	1	292
25	PUMP STOOL	1	171
26	IMPELLER 2nd STAGE (R.H.)	1	102-R
27	AIR COCK	1	114
28	BALL VALVE	2	-
29	SEAL FLUSHING LINE	2	118

** P.E- POWER END , F.E -FREE END.

PUMPSENSE

DRN	AD	08.12.15	ASSEMBLY NO.	
APPD	HS	REV	0	MSVSEINT-08-347