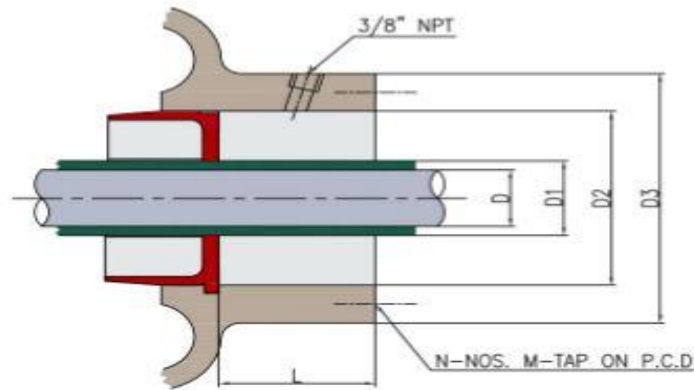


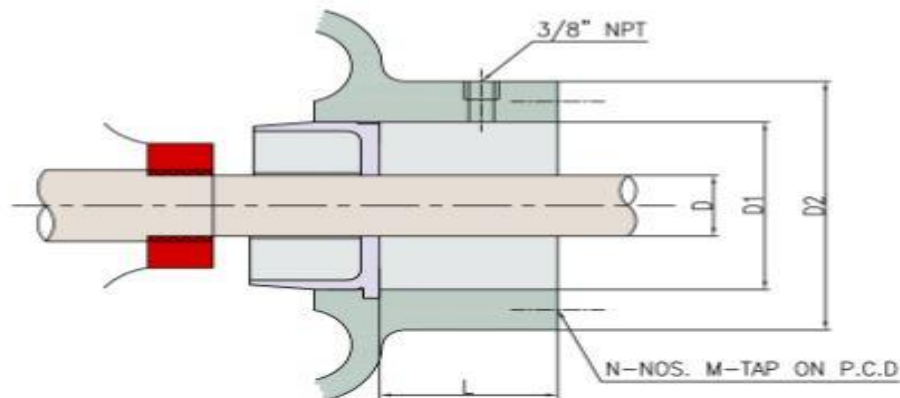
STUFFING BOX DIMENSIONS OF TWO STAGE PUMP - PACKED GLAND



SHAFT GROUP	SHAFT DIA.	SLEEVE DIA.	ST. BOX BORE DIA.	ST. BOX DIA.	ST. BOX LENGTH	NO.OFF	TAP SIZE	P.C.D	PACKING SIZE
	D	D1	D2	D3	L	N	M	P	
EL-0S	27	42	62	120	67	4	M12	95	10 x 10
EL-1S	39	52	72	132	75	4	M12	107	10 x 10
EL-1.5S	39	53	78	132	70	4	M12	107	12 x 12
EL-2S	45	65	85	160	75	4	M16	130	10 x 10
EL-3S	60/63	72/73	100/105	185	112	4	M16	150	16 x 16
EL-4S	80	95	127	225	120	4	M20	150	16 x 16
EL-5S	90	105	145	260	140	4	M20	210	20 x 20

ALL DIMENSIONS IN MM.

STUFFING BOX DIMENSIONS OF TWO STAGE PUMP – MECH. SEAL



SHAFT GROUP	SHAFT DIA.	ST. BOX BORE DIA.	ST. BOX DIA.	ST. BOX LENGTH	NO.OFF	TAP SIZE	P.C.D
	D	D1	D2	L	N	M	P
EL-0S	27	62	120	67	4	M12	95
EL-1S	40	72	132	70	4	M12	108
EL-1.5S	40	73	132	72/75	4	M12	108
EL-2S	45	85	160	75	4	M16	130
EL-3S	60	105	185	112	4	M16	150
EL-4S	80	130	225	120	4	M20	185
EL-5S	90	135	260	140	4	M20	210

ALL DIMENSIONS IN MM.