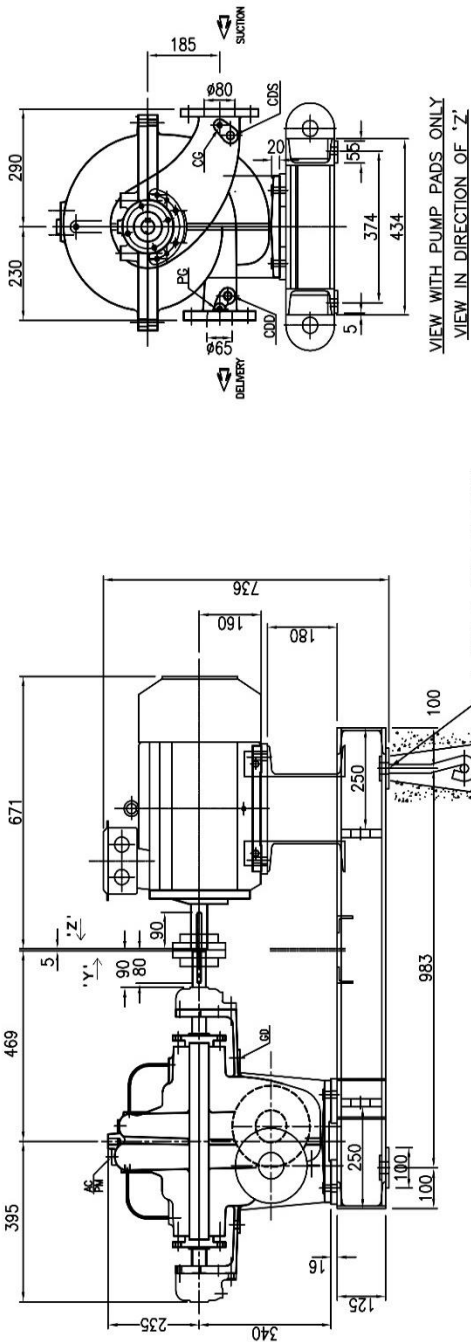
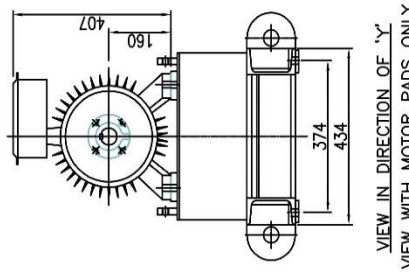


GENERAL ARRANGEMENT DRAWING FOR TWO STAGE SPLIT CASE PUMP 2.5HST12 WITH 15KW ABB MOTOR

CLOCK-WISE ROTATION
LOOKING FROM DRIVE END



VIEW WITH PUMP PADS ONLY
VIEW IN DIRECTION OF 'Z'



APPROXIMATE WEIGHTS IN KGS.

PUMP	190
MOTOR	150
BED PLATE	91
COUPLING & GAURD	15
TOTAL WEIGHT	446
MOTOR DETAILS	
MAKE	ABB
KW	15
FR.SIZE	160ML
SPEED	1480 RPM.

PLAN VIEW OF BASE PLATE

CONNECTIONS	
ITEM	DESCRIPTION
GD	GLAND DRAIN
CG	COMPOUND GAUGE FOR SUCTION
PC	PRESSURE GAUGE FOR DELIVERY
AC	AIR COCK
PM	PRIMING
CDS	CASING DRAIN(SUCTION SIDE)
CDD	CASING DRAIN(DELIVERY SIDE)

FLANGE TABLE								
S	PN 16	200	160	20	Ø18	—	—	—
D	PN 16	—	—	—	—	185	145	18
REF. NO.	REF. TYPE OF NO. FLANGE	O.D.	P.C.D.	MIN OF HOLE	RF FLANGE	THK NO. SIZE	RF THK	RF FLANGE
—	—	—	—	—	—	—	—	—
—	—	—	—	—	—	—	—	—
—	—	—	—	—	—	—	—	—
—	—	—	—	—	—	—	—	—
—	—	—	—	—	—	—	—	—
—	—	—	—	—	—	—	—	—
—	—	—	—	—	—	—	—	—

DELIVERY - Ø65
SUCTION - Ø80

REV	DESCRIPTION	DRN	CHKD	APPD	KS	DRG. NO.	SCALE
0						2.5HST12/GA-01/0	1:1

TITLE: GA DRAWING FOR 2.5HST12 WITH 15KW ABB MOTOR

MOTOR FRAME SIZE 160ML

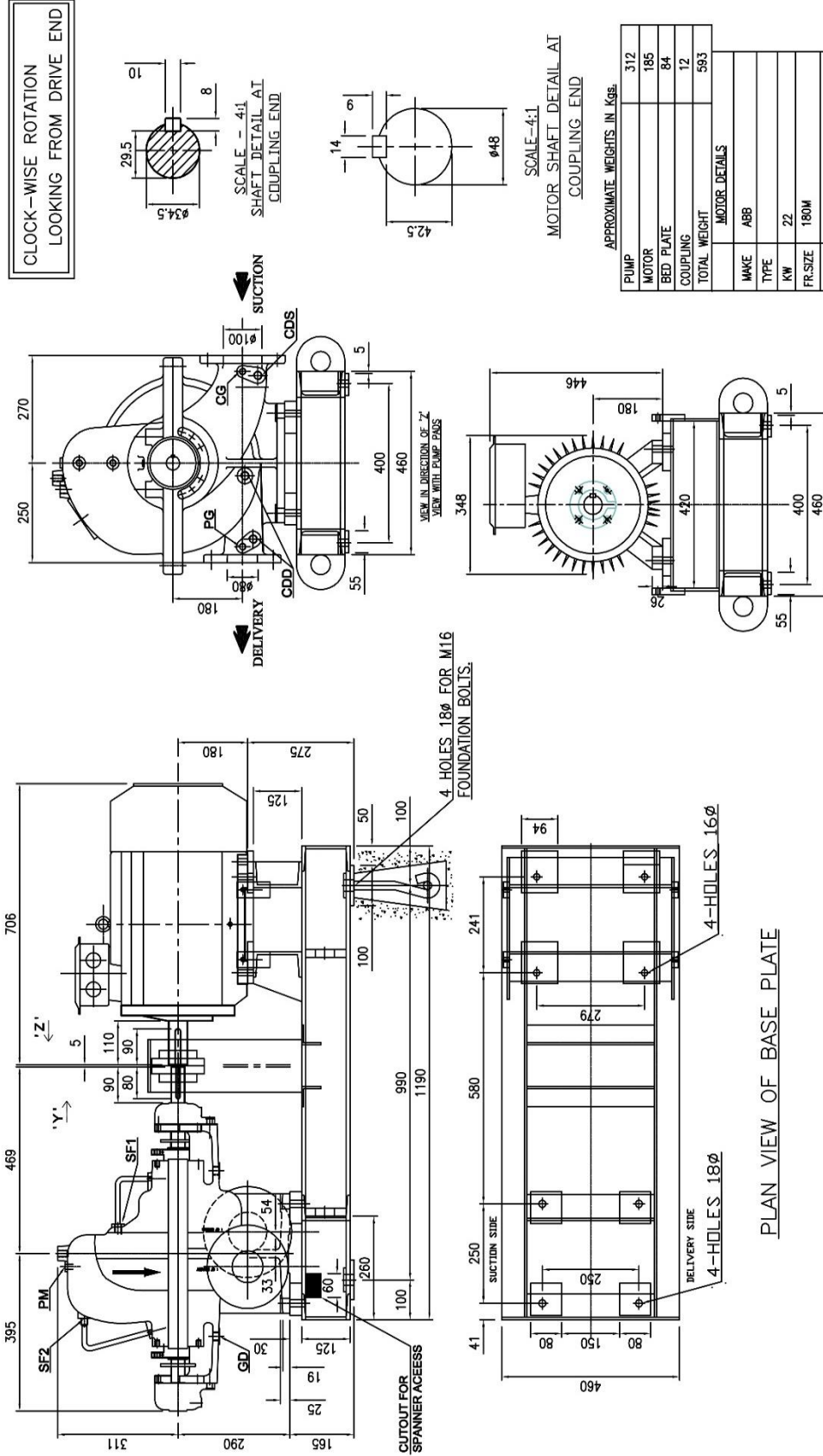
DRN AD 14.02.17 DRG. NO.

CHKD ST 14.02.17



PUMPSENSE

GENERAL ARRANGEMENT DRAWING FOR TWO STAGE SPLIT CASE PUMP 3HST12 WITH 22KW - FRAME SIZE 180M



CONNECTIONS

ITEM	DESCRIPTION	SIZE(NPT)
GD	GLAND DRAIN	1/2"
CG	COMPOUND GAUGE FOR SUCTION	3/8"
PG	PRESSURE GAUGE FOR DELIVERY	3/8"
AC	AIR COCK (SUITS FOR AARV)	1/2"
PM	SF1 & SF2 PRIMING	3/8"
CDS	CASING DRAIN(SUCTION SIDE)	1/2"
CDD	CASING DRAIN(DELIVERY SIDE)	1/2"

**** GAUGE CONNECTIONS DRILLED AND TAPPED ONLY
WHEN SPECIFICALLY REQUESTED BY THE CUSTOMER.**

PROJECT NAME - PUMPSENE

JOB NO. -

TITLE
GA DRAWING FOR 3HST12 WITH 22KW
ABB MOTOR FRAME SIZE 180M

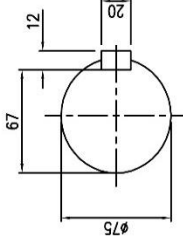
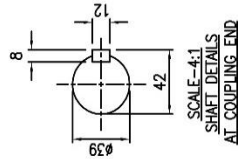
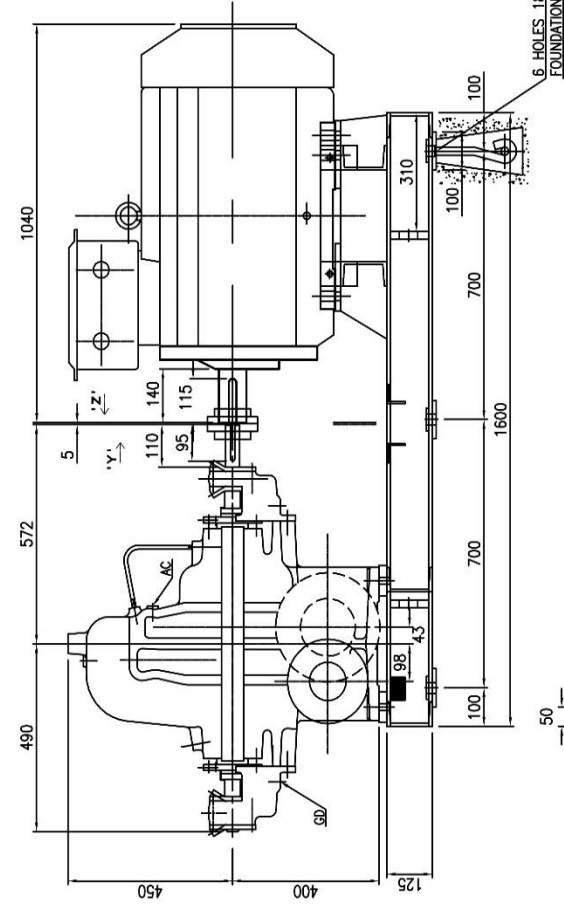
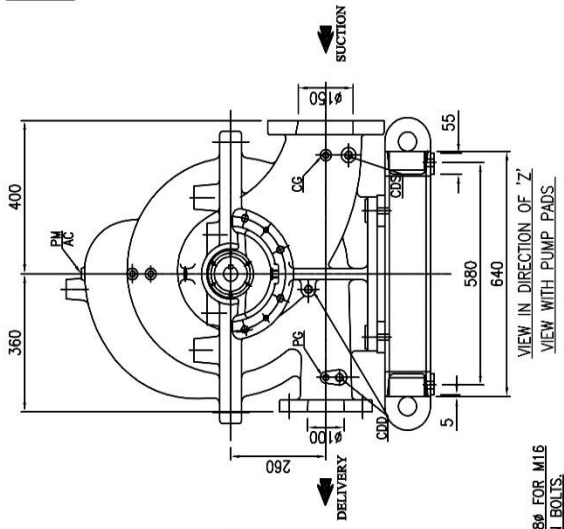
SCALE
1:1

DRN	AD	15.05.19	15.05.19	15.05.19	15.05.19	15.05.19	15.05.19	15.05.19	15.05.19	15.05.19	15.05.19	15.05.19	15.05.19	15.05.19	15.05.19	15.05.19	15.05.19			
CHKD	ST	15.05.19	15.05.19	15.05.19	15.05.19	15.05.19	15.05.19	15.05.19	15.05.19	15.05.19	15.05.19	15.05.19	15.05.19	15.05.19	15.05.19	15.05.19	15.05.19			
APPD	HS	15.05.19	15.05.19	15.05.19	15.05.19	15.05.19	15.05.19	15.05.19	15.05.19	15.05.19	15.05.19	15.05.19	15.05.19	15.05.19	15.05.19	15.05.19	15.05.19			
REV	DESCRIPTION	DRN	CHKD	DATE	REV	DESCRIPTION	DRN	CHKD	DATE	REV	DESCRIPTION	DRN	CHKD	DATE	REV	DESCRIPTION	DRN	CHKD	DATE	
0																				

S	PN 16	220	180	20	8, Ø18	—	—	—	—	—	—	—	—	—	—	—	—	—	—	—	—
D	PN 16					200	180	20	8, Ø18	—	—	—	—	—	—	—	—	—	—	—	—
REF. NO.	TYPE OF FLANGE	O.D.	P.C.D.	MIN OF HOLE	SIZE OF HOLE	THK NO.	RF	RF	RF	RF	RF	RF	RF	RF	RF	RF	RF	RF	RF	RF	RF

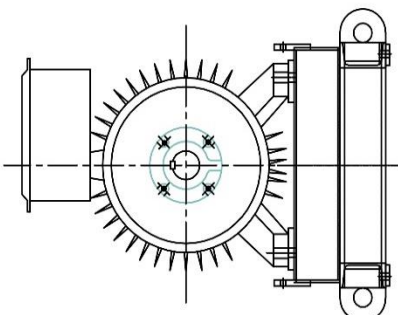
GENERAL ARRANGEMENT DRAWING FOR TWO STAGE SPLIT CASE PUMP 4HST16 WITH 75KW - FRAME SIZE 280S

CLOCK-WISE ROTATION
LOOKING FROM DRIVE END



APPROXIMATE WEIGHTS IN KGS.

PUMP	611
MOTOR	610
BED PLATE	136
COUPLING	20
TOTAL WEIGHT	1377
MOTOR DETAILS	
MAKE	ABB
TYPE	TEFC.
KW	75
FR.SIZE	280S
SPEED	1480 RPM.



VIEW IN DIRECTION OF 'Y'
VIEW WITH MOTOR PAD.

FLANGE TABLE

S	PN 16	285	240	8, φ22	—	—	220	180	20	8, φ18	—
D	PN 16	—	—	—	—	—	O.D.	P.C.D.	MIN	OF HOLE	RF FLANGE
	REF. NO.	—	—	—	—	—	THK	NO. SIZE	RF	THK	RF FLANGE
	REF. TYPE OF	—	—	—	—	—	MIN	OF HOLE	RF	FLANGE	—

CONNECTIONS

ITEM	DESCRIPTION	SIZE(NPT)
GD	GLAND DRAIN	1/2"
CG	COMPOUND GAUGE FOR SUCTION	3/8"
PC	PRESSURE GAUGE FOR DELIVERY	3/8"
AC	AIR COCK	3/8"
PM	PRIMING	1/2"
CDS	CASING DRAIN(SUCTION SIDE)	1/2"
CDD	CASING DRAIN(DELIVERY SIDE)	1/2"
PD	PAN DRAIN	1/2"

ALL GASKETS CONNECTIONS DRAINER AND WIPERS ONLY
WHERE SPECIFICALLY INDICATED BY THE CUSTOMER.

PROJECT NAME- PUMPSERVICE

JOB NO.-

TITLE
GA DRAWING FOR 4HST16 WITH 75KW
ABB MOTOR FRAME SIZE 280S

SCALE
1:1

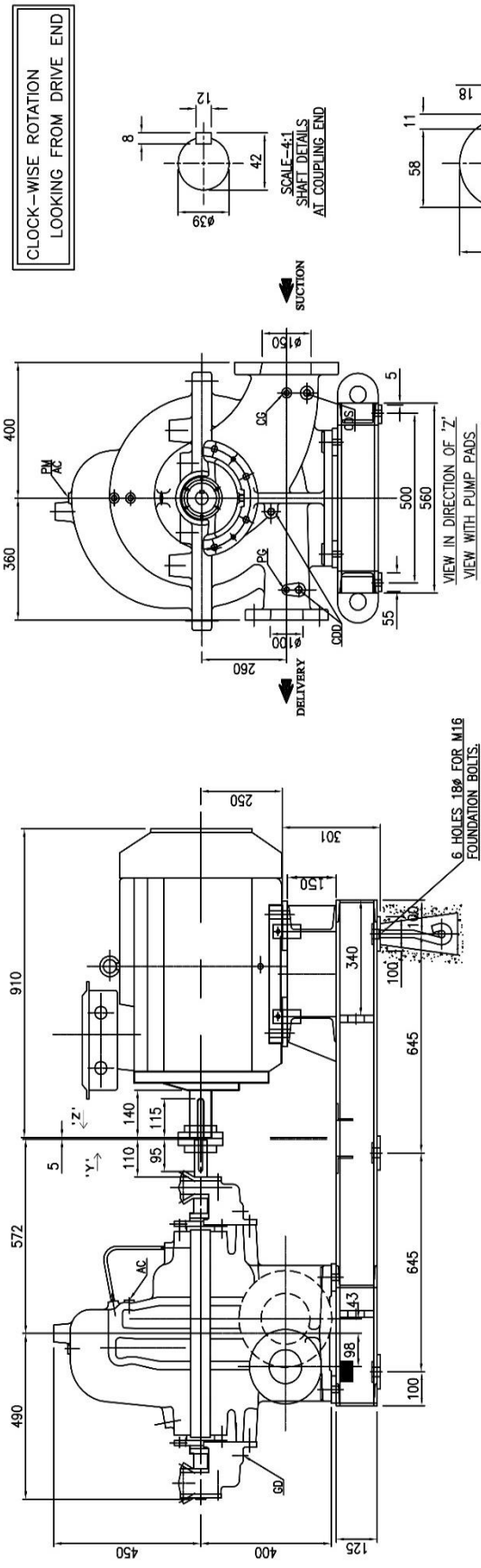
DRN No 25.10.18 DRG. NO. 4HST16/MGA-01/0

CHKD ST 25.10.18

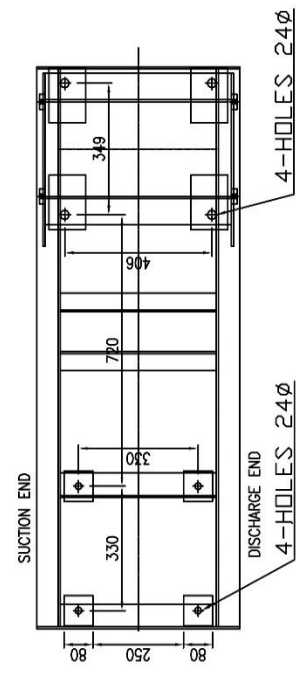
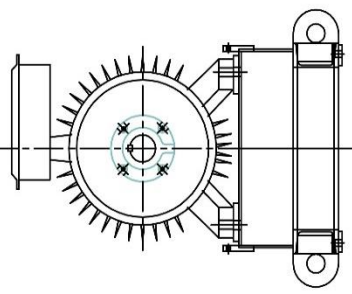
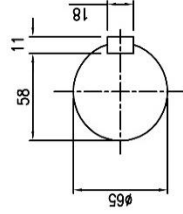
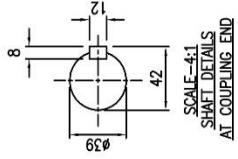
APPD MS 25.10.18

REV 0

GENERAL ARRANGEMENT DRAWING FOR TWO STAGE SPLIT CASE PUMP 4HST16 WITH 55KW - FRAME SIZE 250M



CLOCK-WISE ROTATION
LOOKING FROM DRIVE END



APPROXIMATE WEIGHTS IN KGS.

PUMP	611
MOTOR	435
BED PLATE	110
COUPLING	10.9
TOTAL WEIGHT	1171

MOTOR DETAILS

MAKE	ABB
TYPE	TEFC.
KW	55
FR.SIZE	250M
SPEED	1480 RPM.

VIEW IN DIRECTION OF 'Y'
VIEW WITH MOTOR PAD

ITEM	CONNECTIONS DESCRIPTION	SIZE(NPT)
GD	GLAND DRAIN	1/2"
CG	COMPOUND GAUGE FOR SUCTION	3/8"
PG	PRESSURE GAUGE FOR DELIVERY	3/8"
AC	AIR COCK	3/8"
PM	PRMING	1/2"
CDS	CASING DRAIN(SUCTION SIDE)	1/2"
CD	CASING DRAIN(DELIVERY SIDE)	1/2"
PD	PAN DRAIN	1/2"

* BASE CONNECTIONS BELIEVED AND VERIFIED ONLY
** BASE CONNECTIONS BELIEVED BY THE CUSTOMER

REF. NO.	REF. NO. FLANGE	O.D.	P.C.D.	THK	NO. SIZE	RF	THK	NO. SIZE	RF	THK
S	PN 16	285	240	22	8, Ø22	—	—	—	—	—
D	PN 16	—	—	220	180	20	8, Ø18	—	—	—

REF. NO.	REF. NO. FLANGE	O.D.	P.C.D.	THK	NO. SIZE	RF	THK	NO. SIZE	RF	THK
		SUCTION - Ø150(6")		DELIVERY - Ø100(4")						

REV	DESCRIPTION	DRN	CHKD	DATE

PROJECT NAME-	JOB NO.-
PUMPSENSE	
TITLE	
GA DRAWING FOR 4HST16 WITH 55KW	
ABB MOTOR FRAME SIZE 250M	
SCALE	1:1
DRN	AD 25.10.18
CHKD	ST 25.10.18
APPD	MS 25.10.18
DRG. NO.	4HST16/GA-01/0
REV	0