

NOTE- PERFORMANCE AS PER ISO 9906 GRADE-2B

PERFORMANCE CURVE OF 2.5HST9 @1780 R.P.M

2.5HST9/X/300164



PUMPSENSE

HST RANGE

MODEL 2.5HST9

WORKING PRESS 17 bar

SIZE 80x65-230

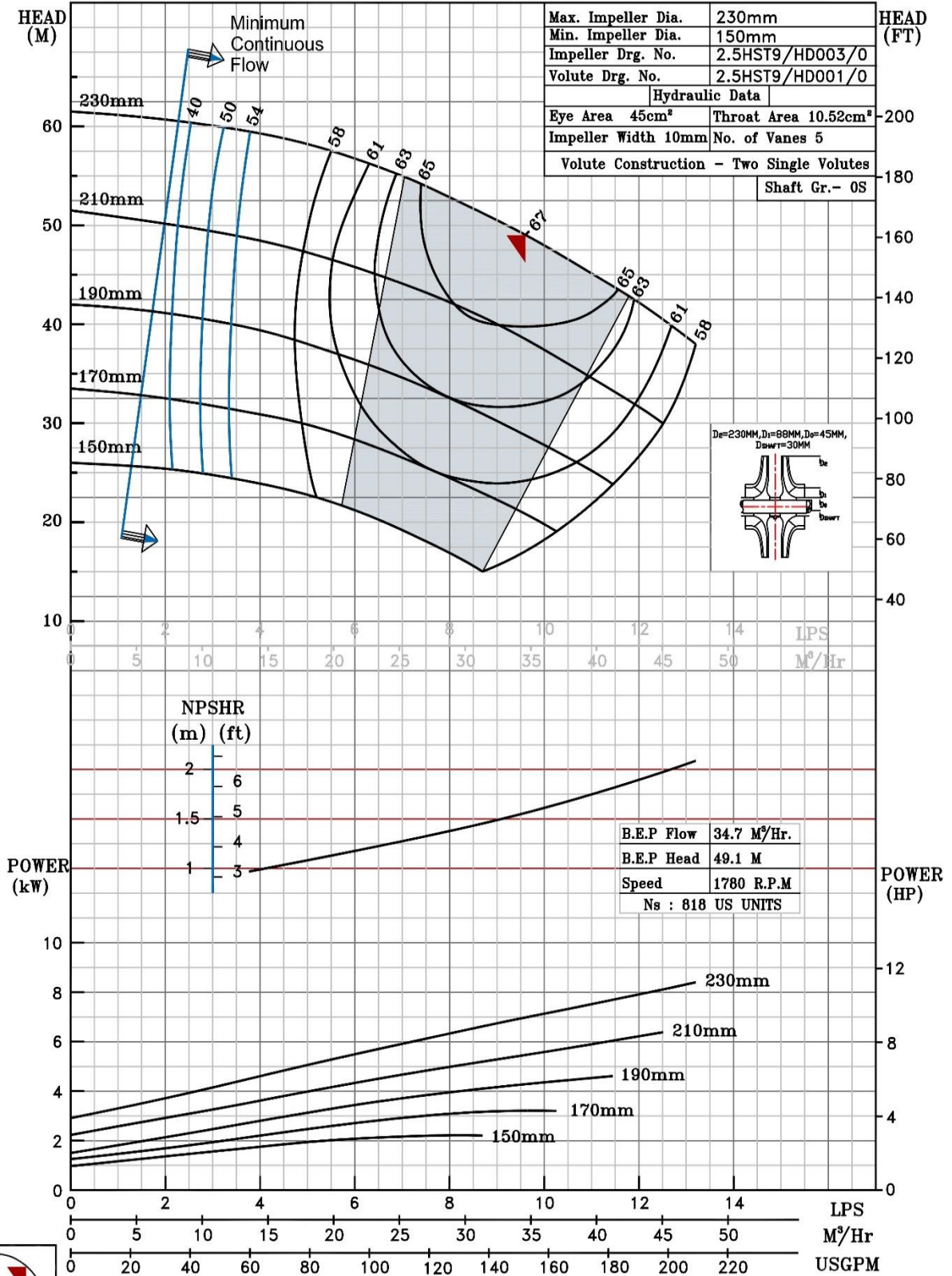
TEST PRESS. 25.5 bar

TYPE-AXIALLY SPLIT CASE TWO STAGE

SPEED 1780 rpm

SHADED REGION ON THE H-Q CURVE REPRESENTS OPTIMUM SELECTION ZONE

PUMP PERFORMANCE CHARACTERISTICS COMPUTED BASED ON CLEAN COLD WATER S.G 1.0



1780 RPM

NOTE- PERFORMANCE AS PER ISO 9906 GRADE-2B

PERFORMANCE CURVE OF 2.5HST10 @1780 R.P.M

2.5HST10/Y/300264



PUMPSENSE

HST RANGE

MODEL 2.5HST10

WORKING PRESS. 16 bar

SIZE 80x65-260

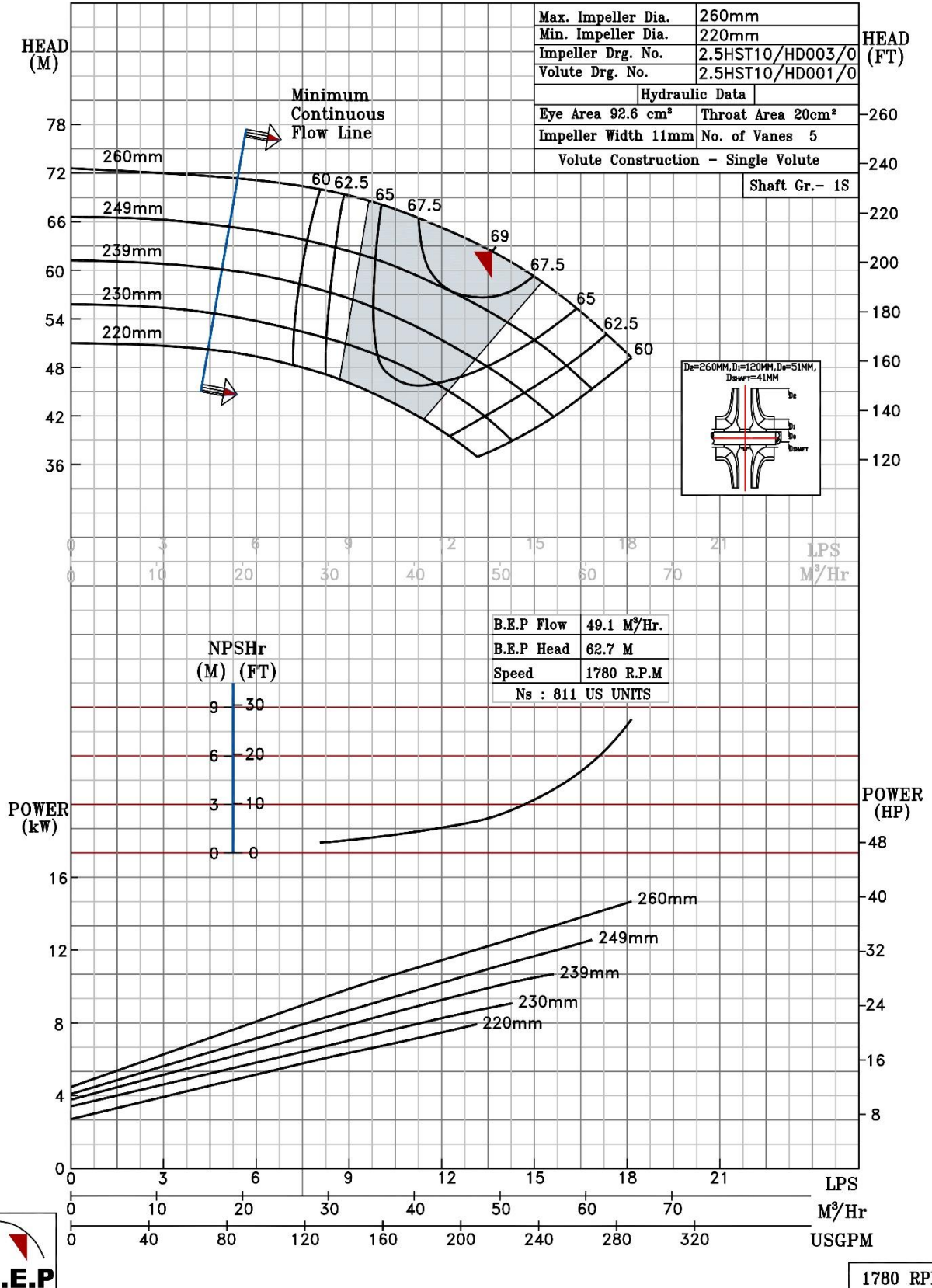
TEST PRESS. 24 bar

TYPE-AXIALLY SPLIT CASE TWO STAGE

SPEED 1780 rpm

SHADED REGION ON THE H-Q CURVE REPRESENTS OPTIMUM SELECTION ZONE

PUMP PERFORMANCE CHARACTERISTICS COMPUTED BASED ON CLEAN COLD WATER S.G 1.0



NOTE- PERFORMANCE AS PER ISO 9906 GRADE-2B

PERFORMANCE CURVE OF 2.5HST12 @1780 R.P.M

2.5HST12/X/300364



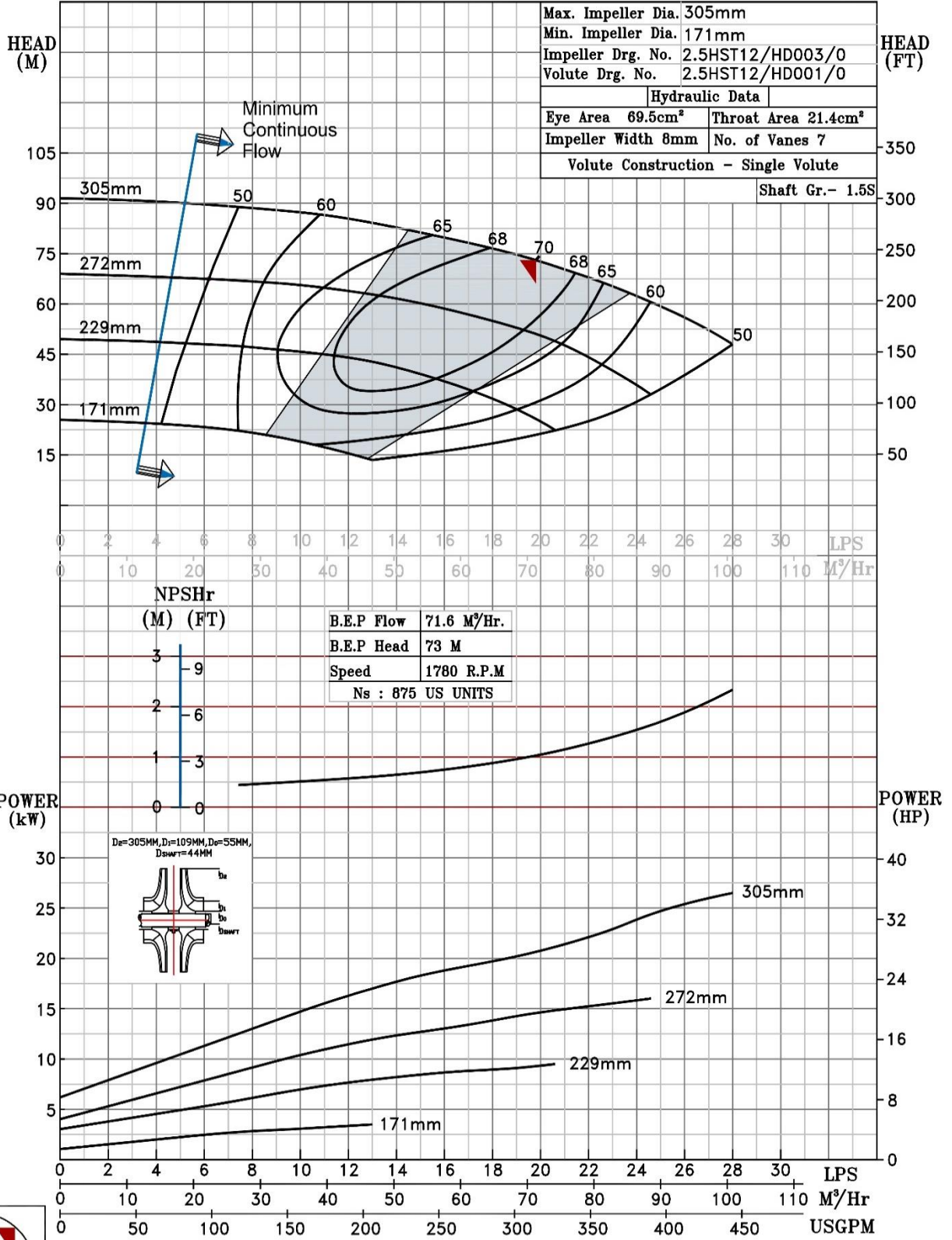
PUMPSENSE

HST RANGE

MODEL 2.5HST12	WORKING PRESS. 12 bar
SIZE 80x65-305	TEST PRESS. 18 bar
TYPE-AXIALLY SPLIT CASE TWO STAGE	
SPEED 1780 rpm	


SHADED REGION ON THE H-Q CURVE REPRESENTS OPTIMUM SELECTION ZONE

PUMP PERFORMANCE CHARACTERISTICS COMPUTED BASED ON CLEAN COLD WATER S.G 1.0

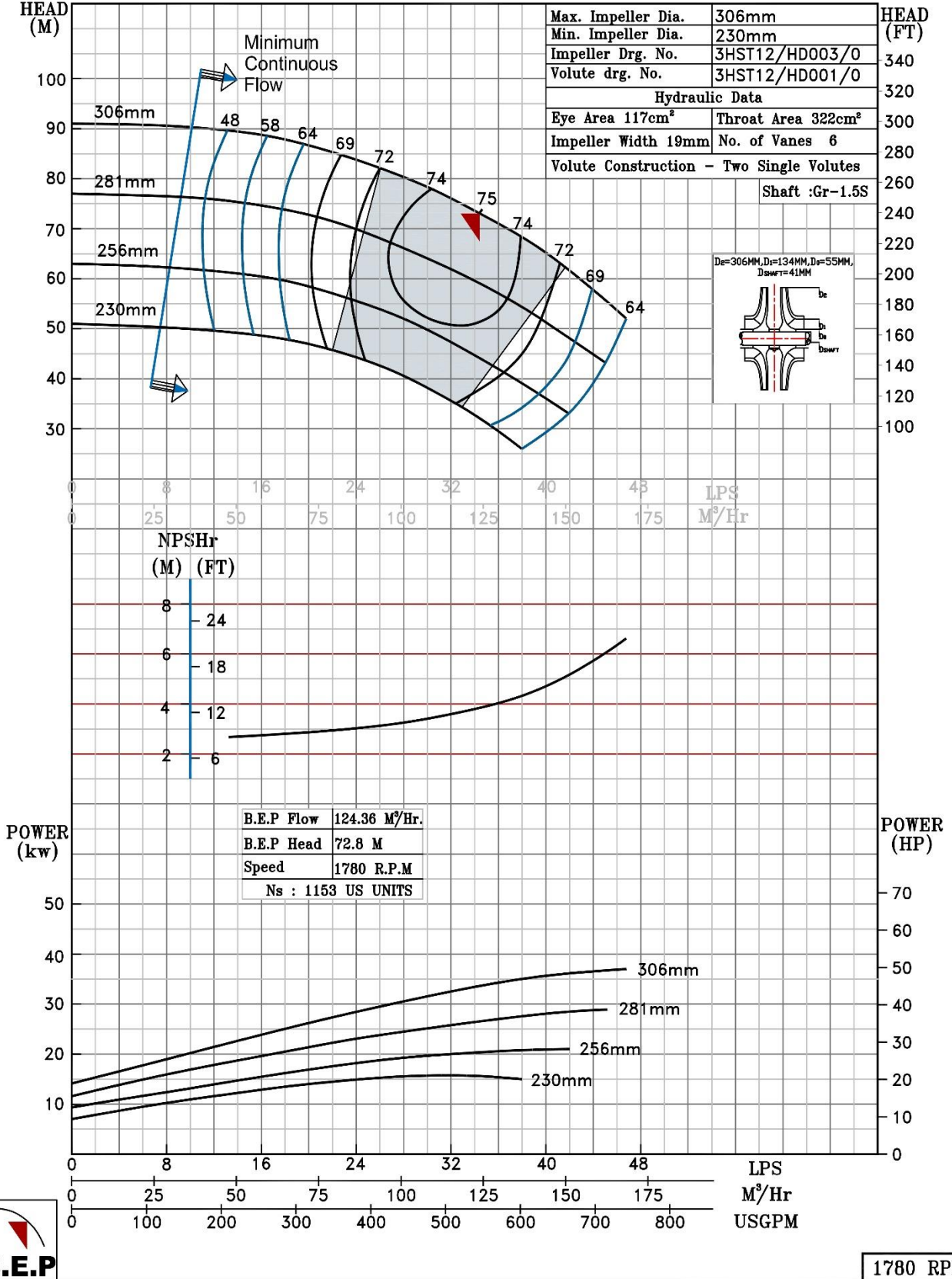


1780 RPM

NOTE- PERFORMANCE AS PER ISO 9906 GRADE-2B


PERFORMANCE CURVE OF 3HST12 @1780 R.P.M		3HST12/X/300464	
 PUMPSENSE <i>HST RANGE</i>	MODEL 3HST12	WORKING PRESS. 16 bar	
	SIZE 100x80-306	TEST PRESS. 24 bar	
	TYPE-AXIALLY SPLIT CASE TWO STAGE		
		SPEED 1780 rpm	

SHADED REGION ON THE H-Q CURVE REPRESENTS OPTIMUM SELECTION ZONE
 PUMP PERFORMANCE CHARACTERISTICS COMPUTED BASED ON CLEAN COLD WATER S.G 1.0



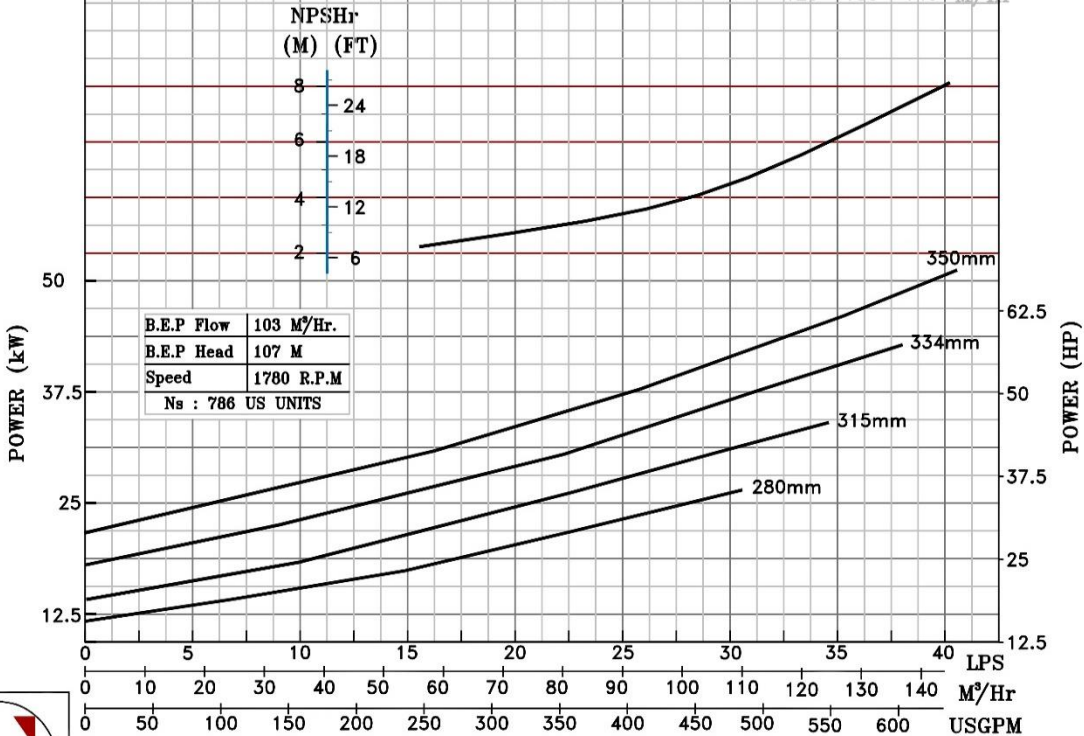
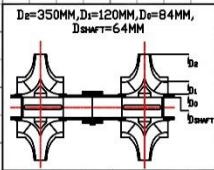
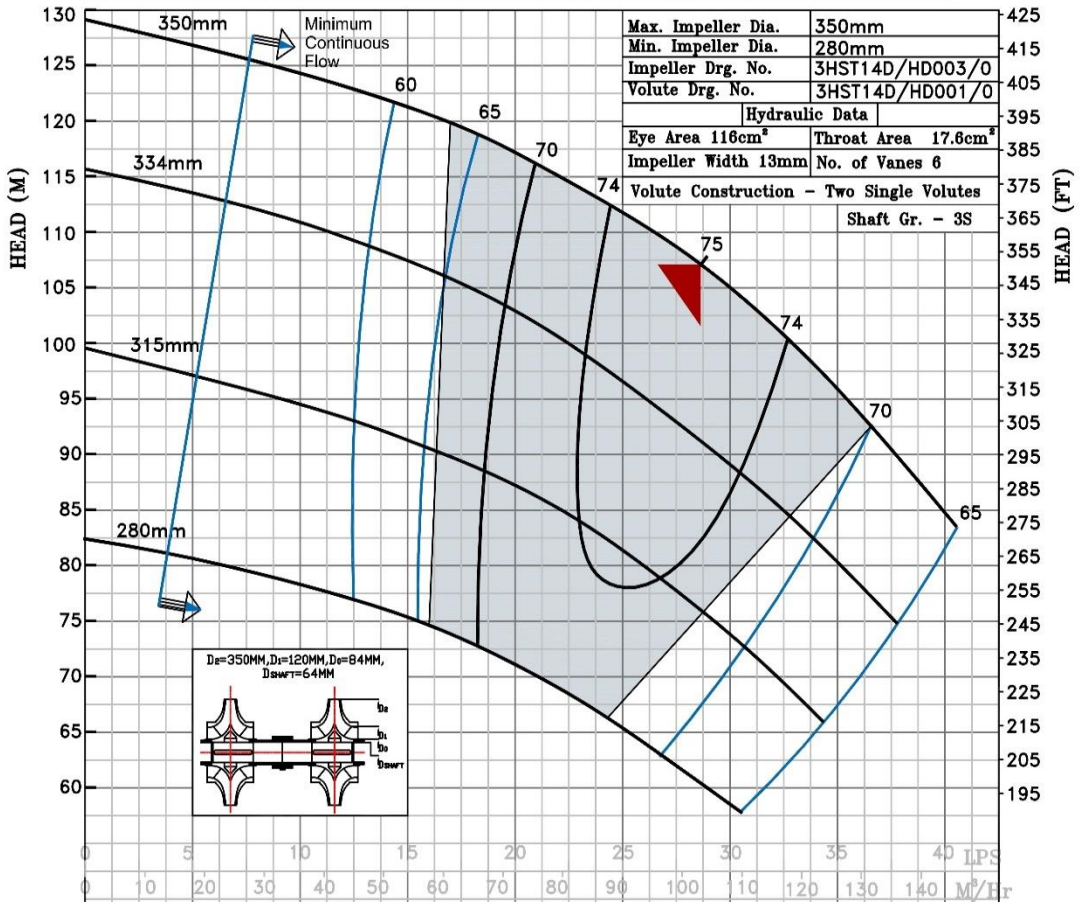
1780 RPM

NOTE- PERFORMANCE AS PER ISO 9906 GRADE-2B

PERFORMANCE CURVE OF 3HSTD14 @1780 R.P.M		3HST14D/X/300564	
 PUMPSENSE <i>HST RANGE</i>	MODEL 3HSTD14	WORKING PRESS.	16 bar
	SIZE 125x80-350	TEST PRESS.	24 bar
	TYPE-AXIALLY SPLIT CASE TWO STAGE		
	SPEED 1780 rpm		


SHADED REGION ON THE H-Q CURVE REPRESENTS OPTIMUM SELECTION ZONE

PUMP PERFORMANCE CHARACTERISTICS COMPUTED BASED ON CLEAN COLD WATER S.G 1.0

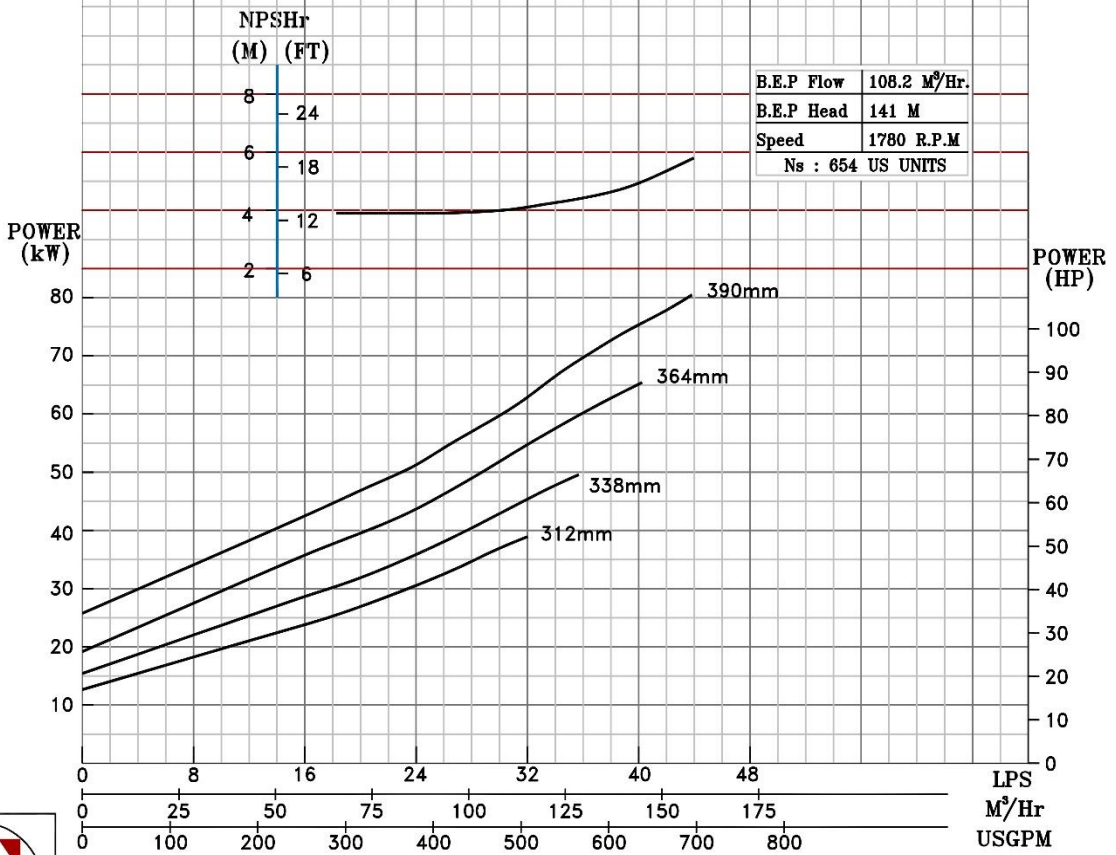
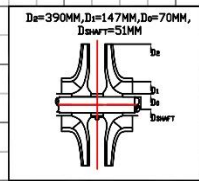
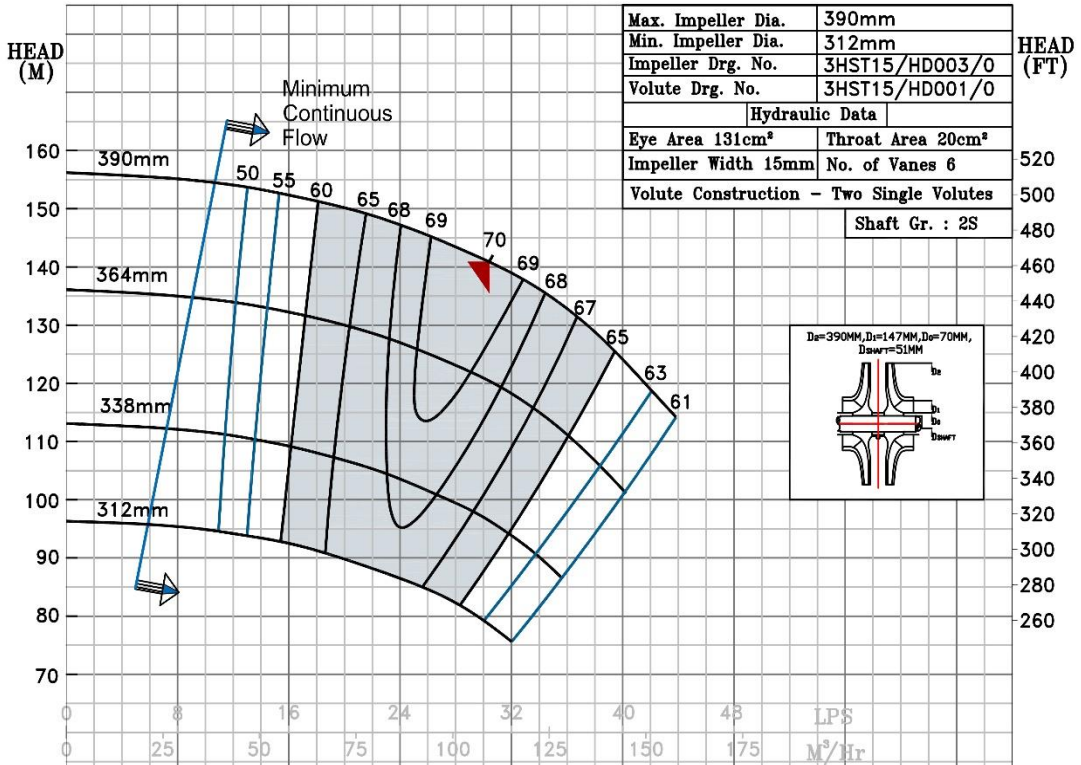


1780 RPM

NOTE- PERFORMANCE AS PER ISO 9906 GRADE-2B


PERFORMANCE CURVE OF 3HST15 @1780 R.P.M		3HST15/X/300664	
 PUMPSENSE <i>HST RANGE</i>	MODEL 3HST15	WORKING PRESS	16 bar
	SIZE 100x80-390	TEST PRESS.	24 bar
	TYPE-AXIALLY SPLIT CASE TWO STAGE		
	SPEED 1780 rpm		

SHADED REGION ON THE H-Q CURVE REPRESENTS OPTIMUM SELECTION ZONE
 PUMP PERFORMANCE CHARACTERISTICS COMPUTED BASED ON CLEAN COLD WATER S.G 1.0



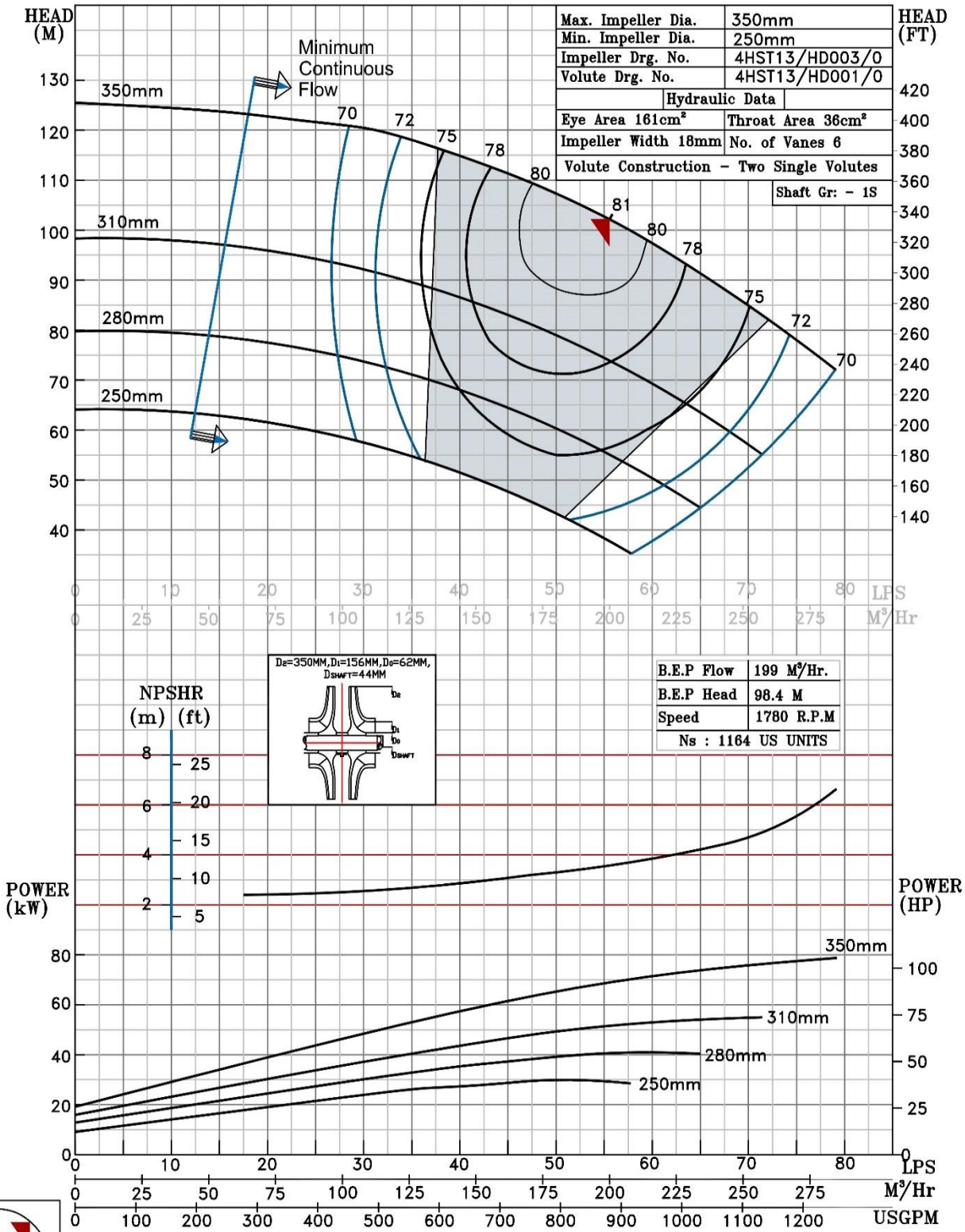
1780 RPM

NOTE- PERFORMANCE AS PER ISO 9906 GRADE-2B

PERFORMANCE CURVE OF 4HST13 @1780 R.P.M		4HST13/X/300764
 PUMPSENSE <i>HST RANGE</i>	MODEL 4HST13	WORKING PRESS. 16 bar
	SIZE 125x100-350	TEST PRESS. 24 bar
	TYPE-AXIALLY SPLIT CASE TWO STAGE	
	SPEED 1780 rpm	


SHADED REGION ON THE H-Q CURVE REPRESENTS OPTIMUM SELECTION ZONE

PUMP PERFORMANCE CHARACTERISTICS COMPUTED BASED ON CLEAN COLD WATER S.G 1.0



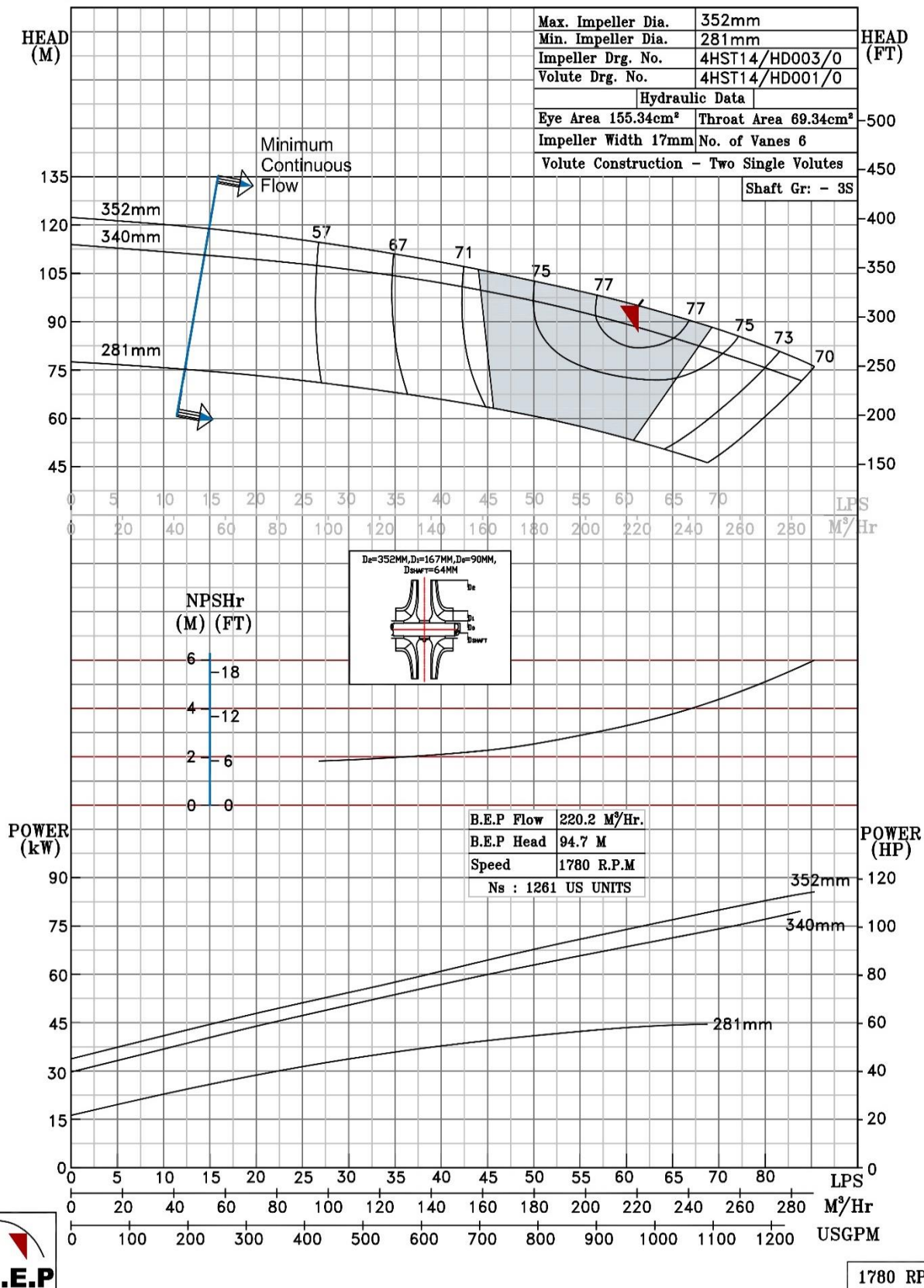
1780 RPM

NOTE- PERFORMANCE AS PER ISO 9906 GRADE-2B

PERFORMANCE CURVE OF 4HST14 @1780 R.P.M		4HST14/Y/300864	
	PUMPSENSE	MODEL 4HST14	WORKING PRESS. 16 bar
		SIZE 150x100-352	TEST PRESS. 24 bar
<i>HST RANGE</i>		TYPE-AXIALLY SPLIT CASE TWO STAGE	
		SPEED 1780 rpm	


SHADED REGION ON THE H-Q CURVE REPRESENTS OPTIMUM SELECTION ZONE

PUMP PERFORMANCE CHARACTERISTICS COMPUTED BASED ON CLEAN COLD WATER S.G 1.0

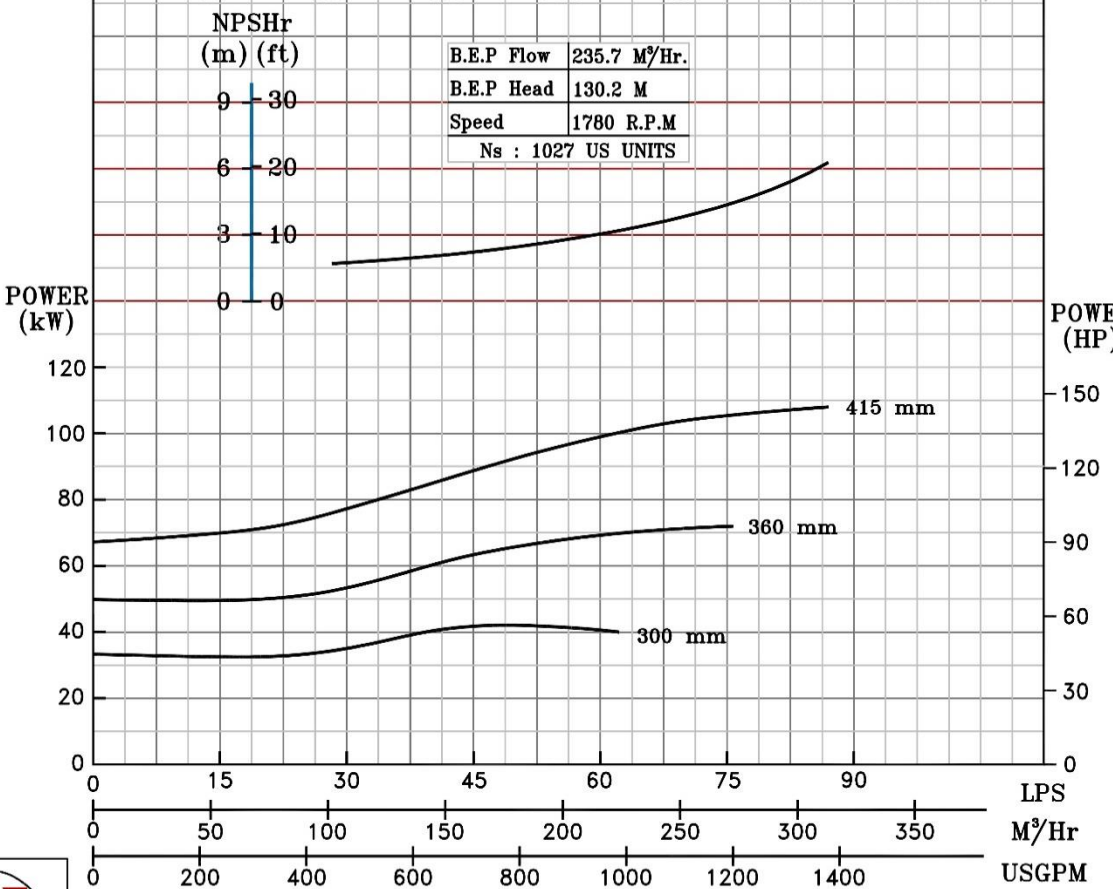
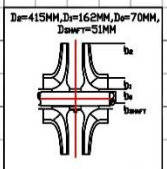
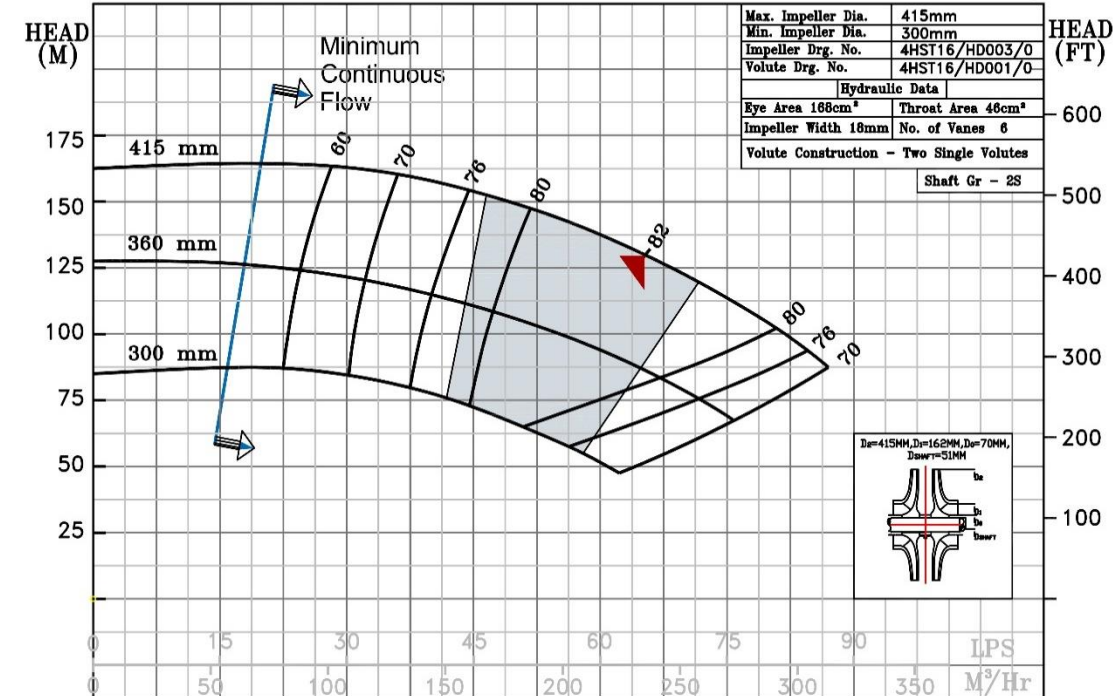


1780 RPM

NOTE- PERFORMANCE AS PER ISO 9906 GRADE-2B


PERFORMANCE CURVE OF 4HST16 @1780 R.P.M		4HST16/Y/300964	
 PUMPSENSE <i>HST RANGE</i>	MODEL 4HST16	WORKING PRESS. 16 bar	
	SIZE 150x100-415	TEST PRESS. 24 bar	
	TYPE-AXIALLY SPLIT CASE TWO STAGE		SPEED 1780 rpm

SHADED REGION ON THE H-Q CURVE REPRESENTS OPTIMUM SELECTION ZONE
 PUMP PERFORMANCE CHARACTERISTICS COMPUTED BASED ON CLEAN COLD WATER S.G 1.0

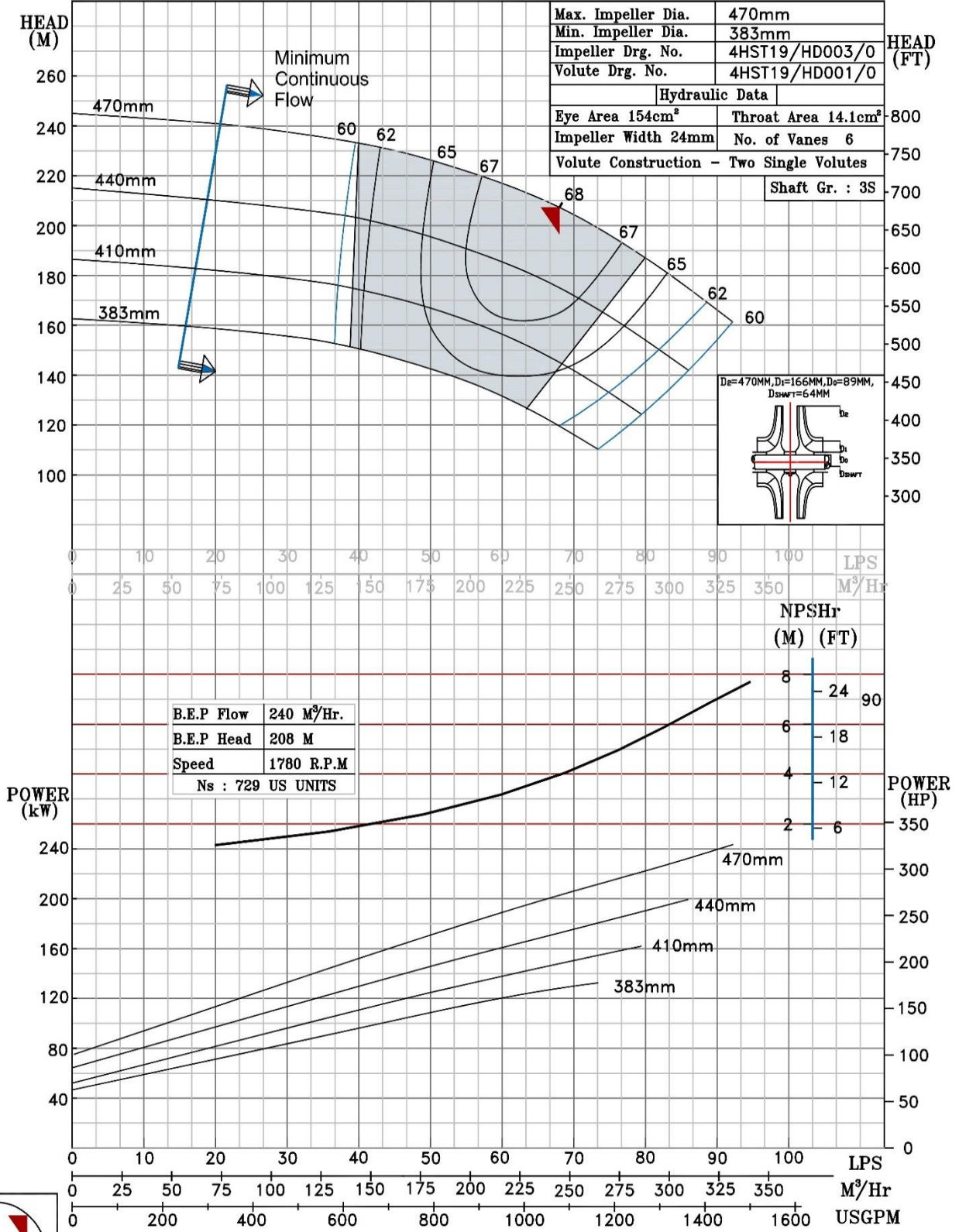


1780 RPM

NOTE- PERFORMANCE AS PER ISO 9906 GRADE-2B


PERFORMANCE CURVE OF 4HST19 @1780 R.P.M		4HST19/Y/301064
 PUMPSENSE <i>HST RANGE</i>	MODEL 4HST19	WORKING PRESS. 30 bar
	SIZE 150x100-470	TEST PRESS. 45 bar
	TYPE-AXIALLY SPLIT CASE TWO STAGE	
	SPEED 1780 rpm	

SHADED REGION ON THE H-Q CURVE REPRESENTS OPTIMUM SELECTION ZONE
 PUMP PERFORMANCE CHARACTERISTICS COMPUTED BASED ON CLEAN COLD WATER S.G 1.0

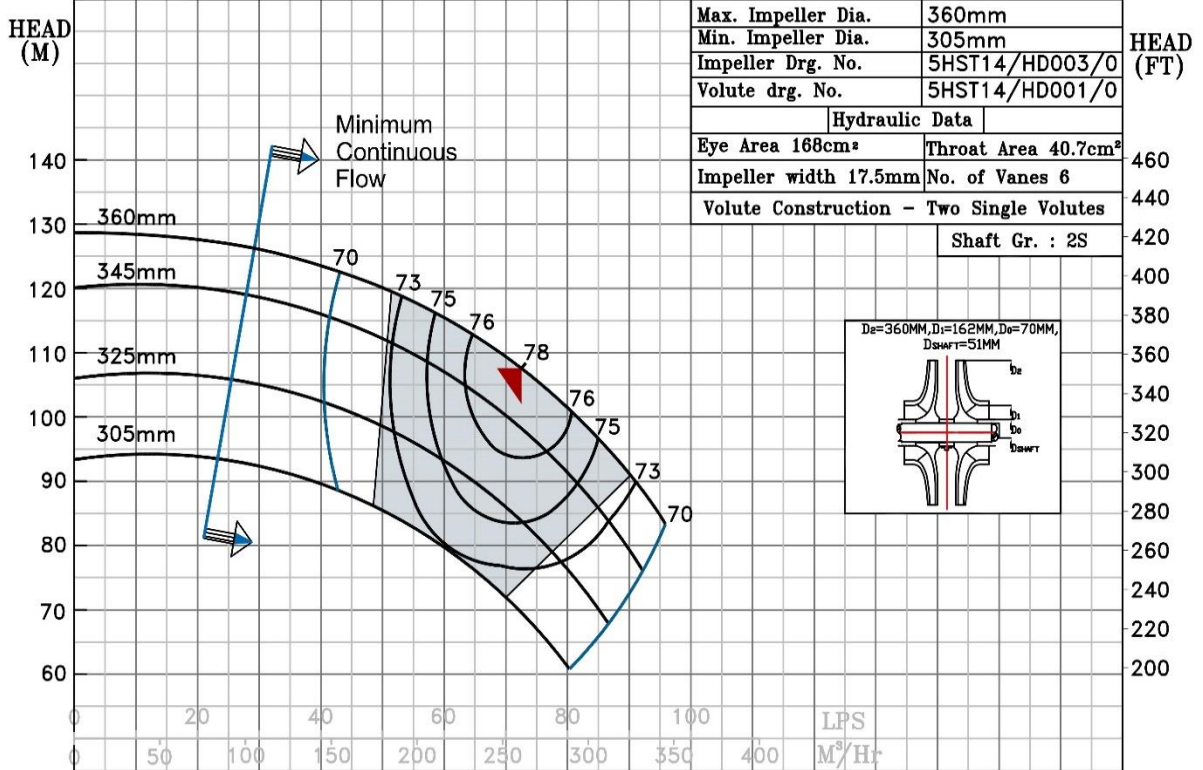


1780 RPM

NOTE- PERFORMANCE AS PER ISO 9906 GRADE-2B

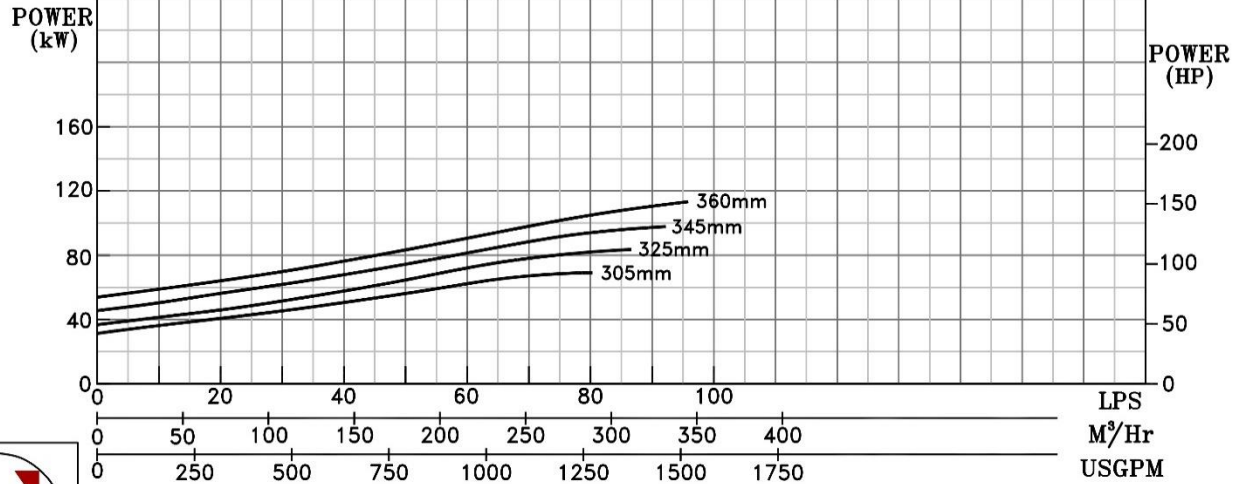
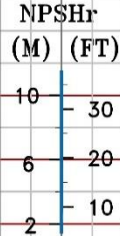
PERFORMANCE CURVE OF 5HST14 @1780 R.P.M		5HST14/X/301164	
 PUMPSENSE <i>HST RANGE</i>	MODEL 5HST14	WORKING PRESS.	16 bar
	SIZE 150x125-360	TEST PRESS.	24 bar
	TYPE-AXIALLY SPLIT CASE TWO STAGE		
	SPEED 1780 rpm		

SHADED REGION ON THE H-Q CURVE REPRESENTS OPTIMUM SELECTION ZONE
 PUMP PERFORMANCE CHARACTERISTICS COMPUTED BASED ON CLEAN COLD WATER S.G 1.0



Max. Impeller Dia.	360mm
Min. Impeller Dia.	305mm
Impeller Drg. No.	5HST14/HD003/0
Volute drg. No.	5HST14/HD001/0
Hydraulic Data	
Eye Area 168cm ²	Throat Area 40.7cm ²
Impeller width 17.5mm	No. of Vanes 6
Volute Construction - Two Single Volutes	
Shaft Gr. : 2S	

B.E.P Flow	259.7 M ³ /Hr.
B.E.P Head	107 M
Speed	1780 R.P.M
Ns :	1249 US UNITS



1780 RPM

NOTE- PERFORMANCE AS PER ISO 9906 GRADE-2B

PERFORMANCE CURVE OF 6HSTD12 @1780 R.P.M

6HSTD12/X/301364



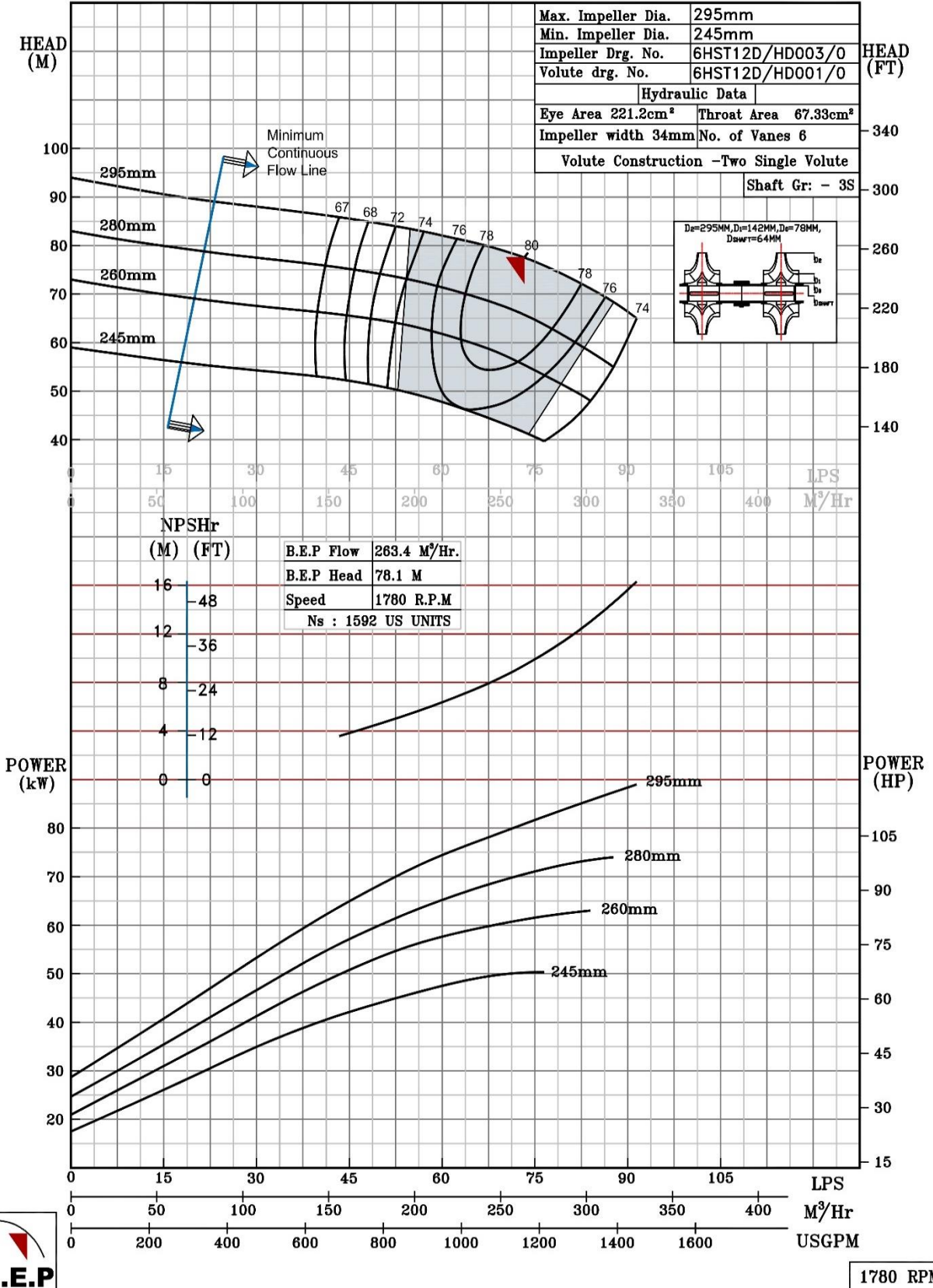
PUMPSENSE

HST RANGE

MODEL	6HSTD12	WORKING PRESS.	16 bar
SIZE	200x150-295	TEST PRESS.	24 bar
TYPE-AXIALLY SPLIT CASE TWO STAGE		SPEED 1780 rpm	


SHADED REGION ON THE H-Q CURVE REPRESENTS OPTIMUM SELECTION ZONE

PUMP PERFORMANCE CHARACTERISTICS COMPUTED BASED ON CLEAN COLD WATER S.G 1.0

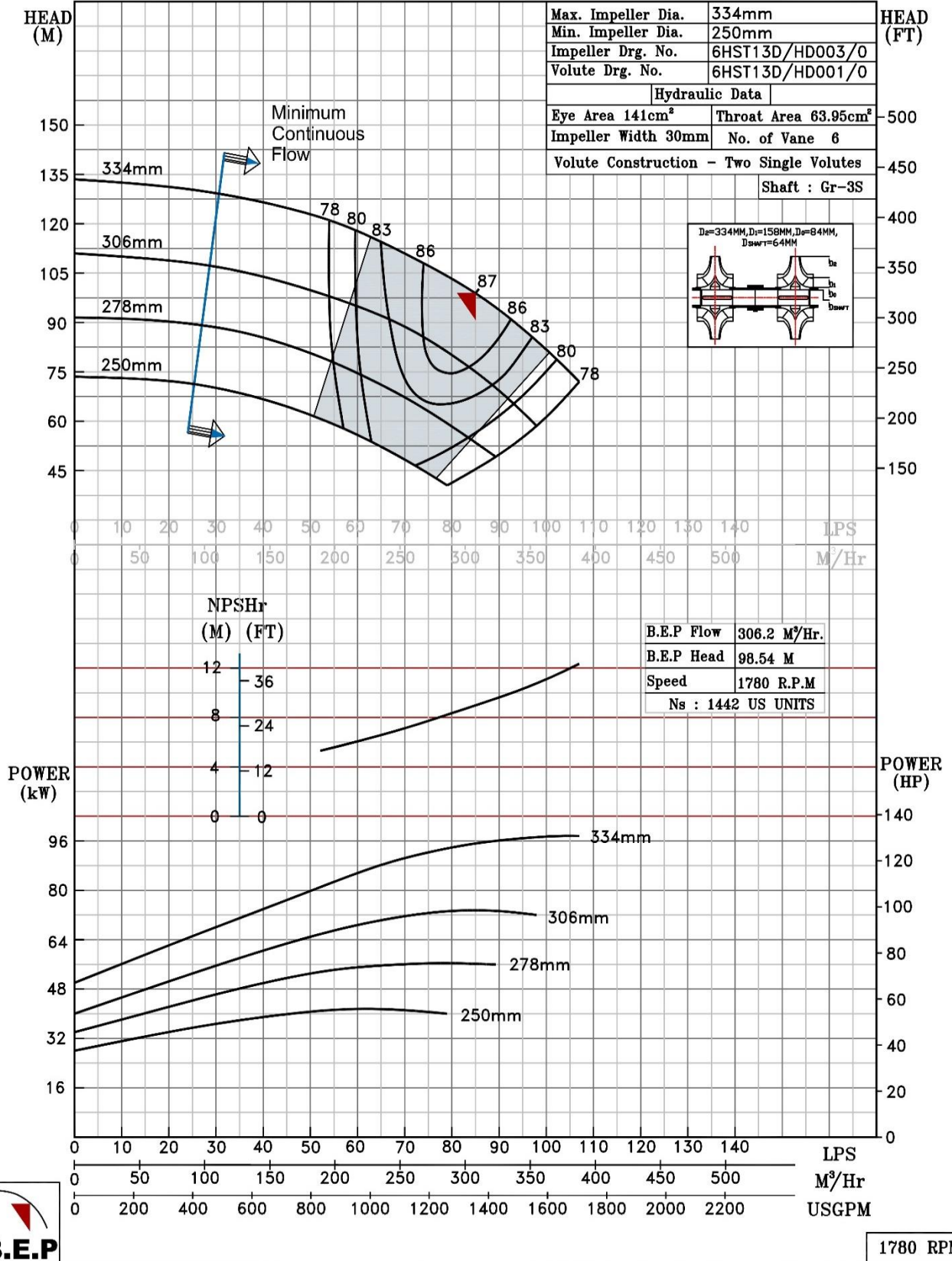


1780 RPM

NOTE- PERFORMANCE AS PER ISO 9906 GRADE-2B

PERFORMANCE CURVE OF 6HSTD13 @1780 R.P.M		6HSTD13/X/301464	
 PUMPSENSE <i>HST RANGE</i>	MODEL 6HSTD13	WORKING PRESS. 16 bar	
	SIZE 200x150-334	TEST PRESS. 24 bar	
	TYPE-AXIALLY SPLIT CASE TWO STAGE		
			SPEED 1780 rpm

SHADED REGION ON THE H-Q CURVE REPRESENTS OPTIMUM SELECTION ZONE
 PUMP PERFORMANCE CHARACTERISTICS COMPUTED BASED ON CLEAN COLD WATER S.G 1.0



NOTE- PERFORMANCE AS PER ISO 9906 GRADE-2B

PERFORMANCE CURVE OF 6HST18 @1780 R.P.M

6HST18/X/301564



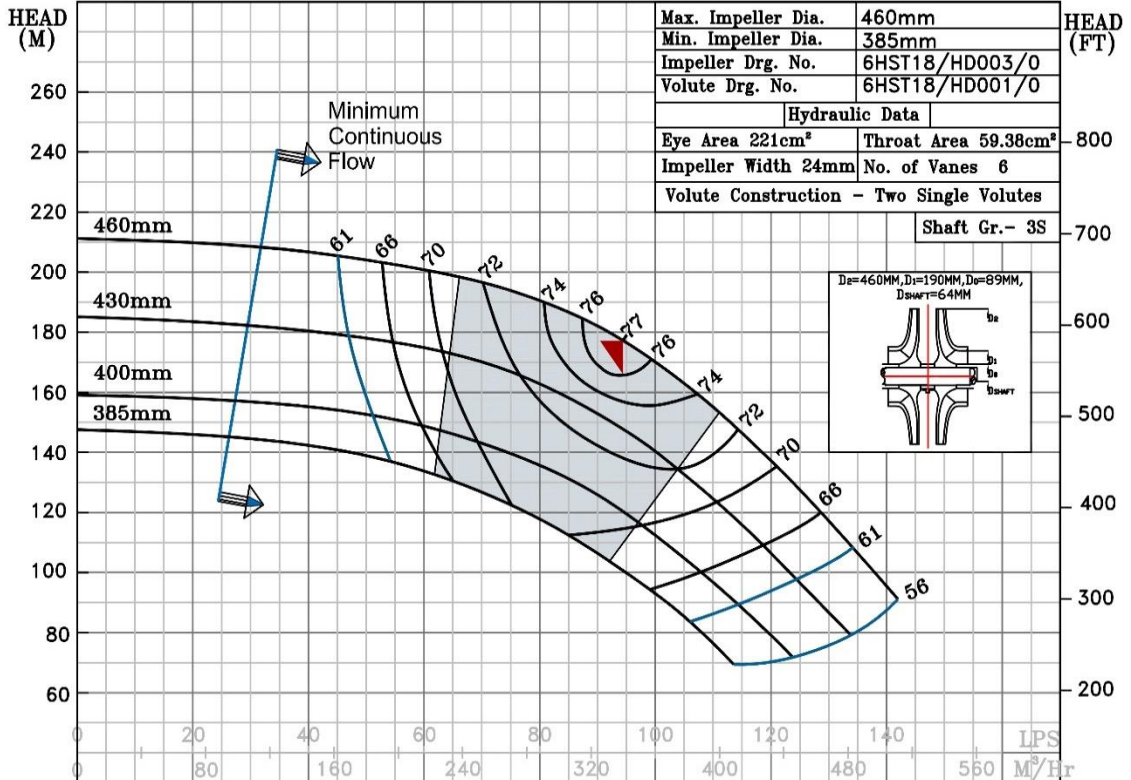
PUMPSENSE

HST RANGE

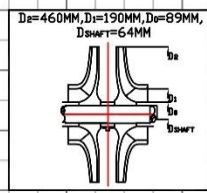
MODEL 6HST18	WORKING PRESS	30 bar
SIZE 200x150-460	TEST PRESS.	45 bar
TYPE-AXIALLY SPLIT CASE TWO STAGE		
		SPEED 1780 rpm

SHADED REGION ON THE H-Q CURVE REPRESENTS OPTIMUM SELECTION ZONE

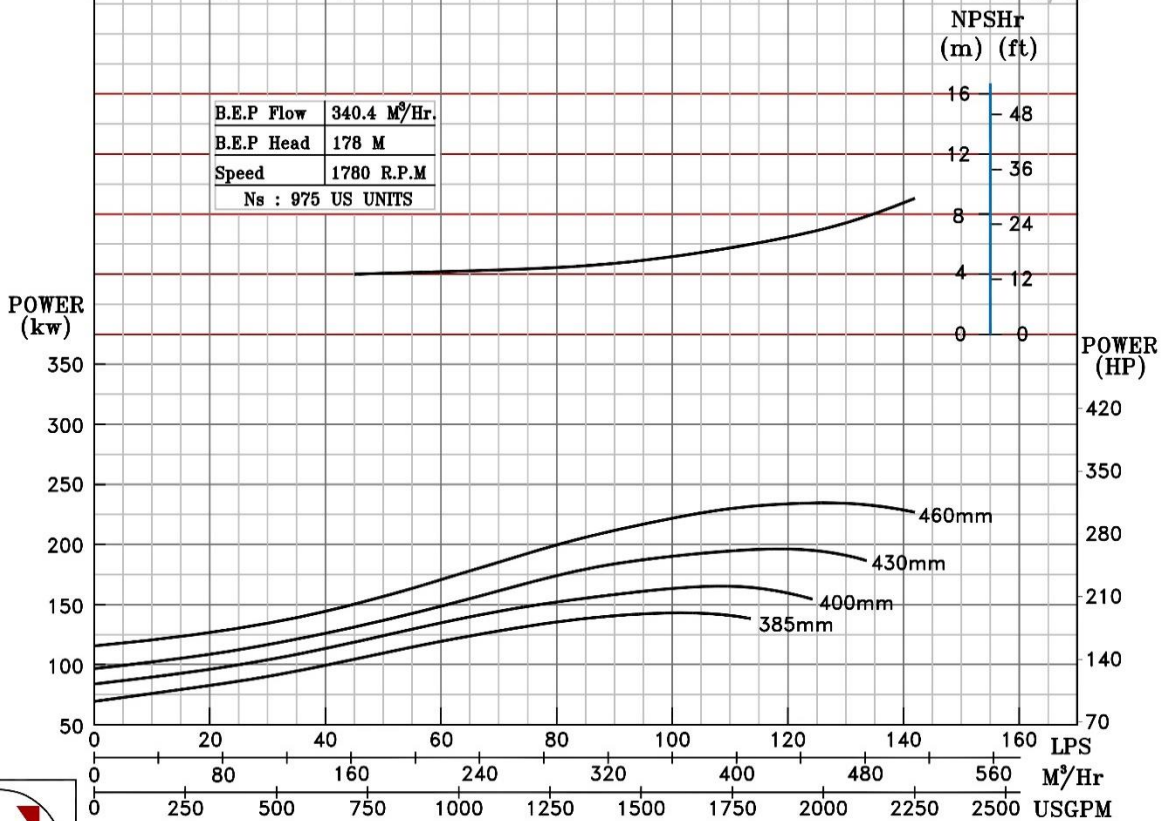
PUMP PERFORMANCE CHARACTERISTICS COMPUTED BASED ON CLEAN COLD WATER S.G 1.0



Max. Impeller Dia.	460mm
Min. Impeller Dia.	385mm
Impeller Drg. No.	6HST18/HD003/0
Volute Drg. No.	6HST18/HD001/0
Hydraulic Data	
Eye Area 221cm²	Throat Area 59.38cm²
Impeller Width 24mm	No. of Vanes 6
Volute Construction - Two Single Volute	




B.E.P Flow	340.4 M³/Hr.
B.E.P Head	178 M
Speed	1780 R.P.M
Ns	: 975 US UNITS

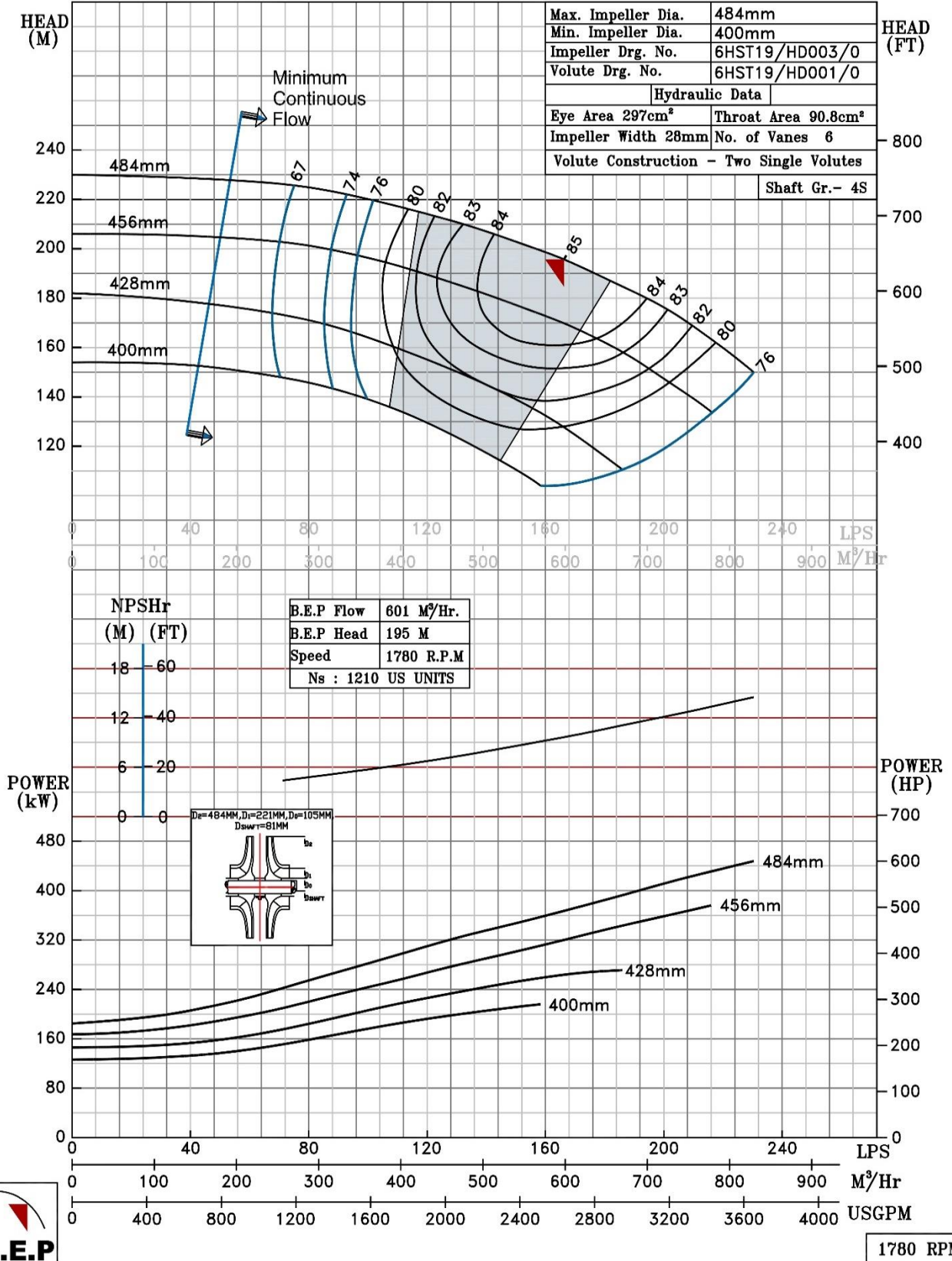


1780 RPM

NOTE- PERFORMANCE AS PER ISO 9906 GRADE-2B

PERFORMANCE CURVE OF 6HST19 @1780 R.P.M		6HST19/Y/301664			
 PUMPSense <i>HST RANGE</i>	MODEL	6HST19	WORKING PRESS.	25 bar	
	SIZE	200x150-484	TEST PRESS.	37.5 bar	
	TYPE-AXIALLY SPLIT CASE TWO STAGE			SPEED	1780 rpm

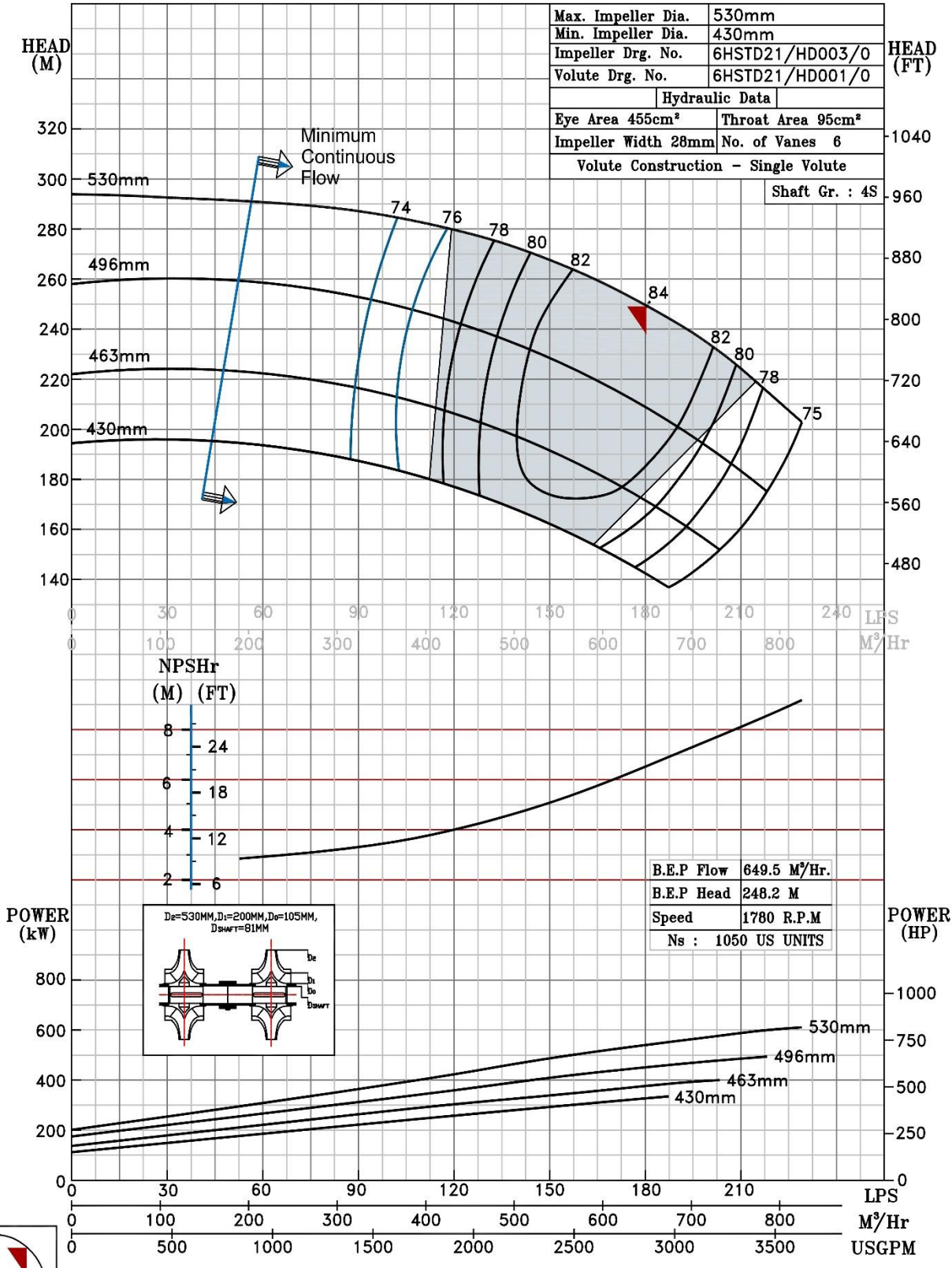
SHADED REGION ON THE H-Q CURVE REPRESENTS OPTIMUM SELECTION ZONE
 PUMP PERFORMANCE CHARACTERISTICS COMPUTED BASED ON CLEAN COLD WATER S.G 1.0



NOTE- PERFORMANCE AS PER ISO 9906 GRADE-2B

PERFORMANCE CURVE OF 6HSTD21 @1780 R.P.M		6HSTD21/X/301764	
 PUMPSENSE <i>HST RANGE</i>	MODEL	6HSTD21	WORKING PRESS. 30 bar
	SIZE	200x150-530	TEST PRESS. 45 bar
	TYPE-AXIALLY SPLIT CASE TWO STAGE		SPEED 1780 rpm

SHADED REGION ON THE H-Q CURVE REPRESENTS OPTIMUM SELECTION ZONE
 PUMP PERFORMANCE CHARACTERISTICS COMPUTED BASED ON CLEAN COLD WATER S.G 1.0

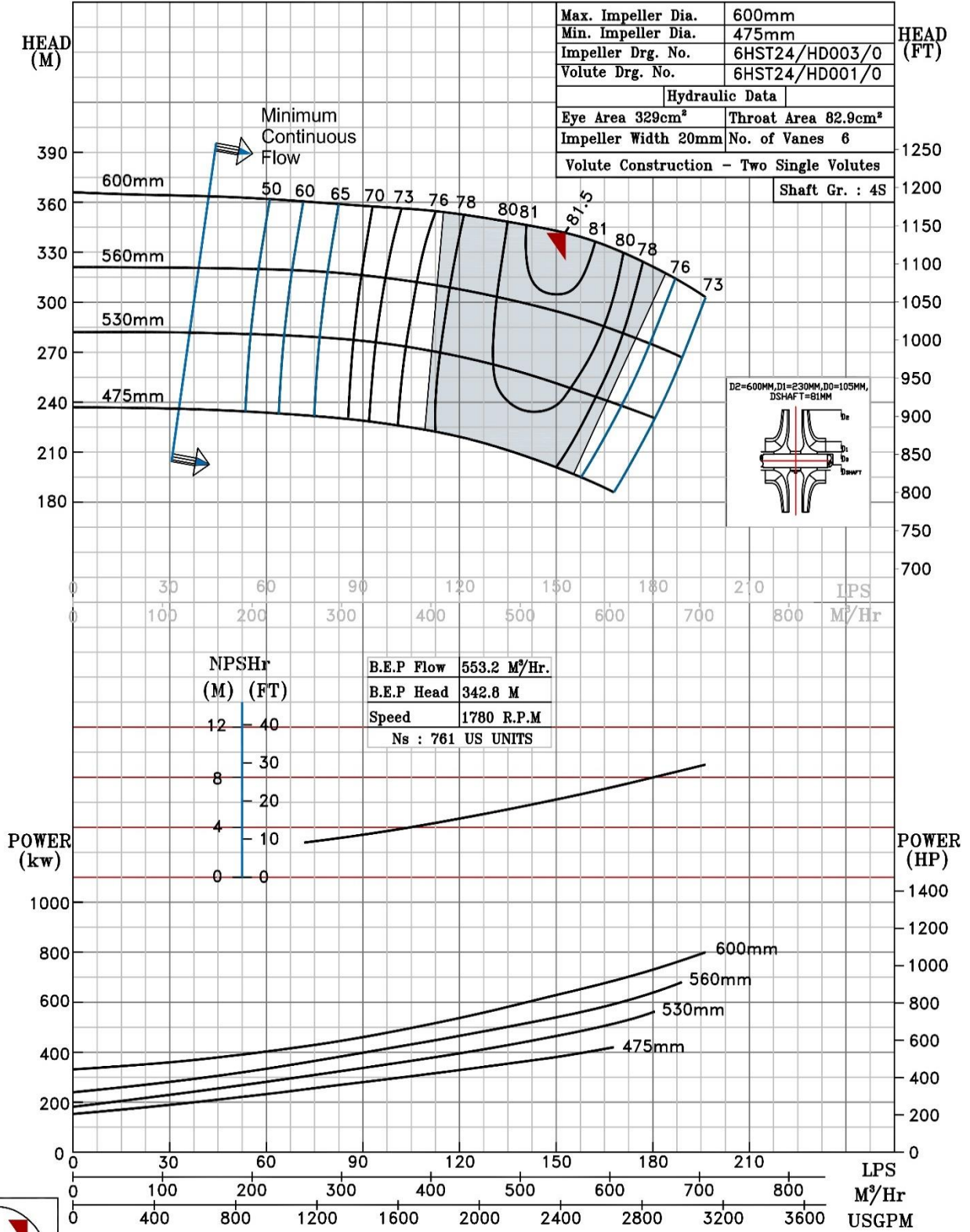


1780 RPM

NOTE- PERFORMANCE AS PER ISO 9906 GRADE-2B


PERFORMANCE CURVE OF 6HST24 @1780 R.P.M		6HST24/X/301864	
	PUMPSENSE	MODEL	6HST24
		WORKING PRESS.	40 bar
<i>HST RANGE</i>		SIZE	200x150-600
		TEST PRESS.	60 bar
		TYPE	AXIALLY SPLIT CASE TWO STAGE
		SPEED	1780 rpm

SHADED REGION ON THE H-Q CURVE REPRESENTS OPTIMUM SELECTION ZONE
 PUMP PERFORMANCE CHARACTERISTICS COMPUTED BASED ON CLEAN COLD WATER S.G 1.0



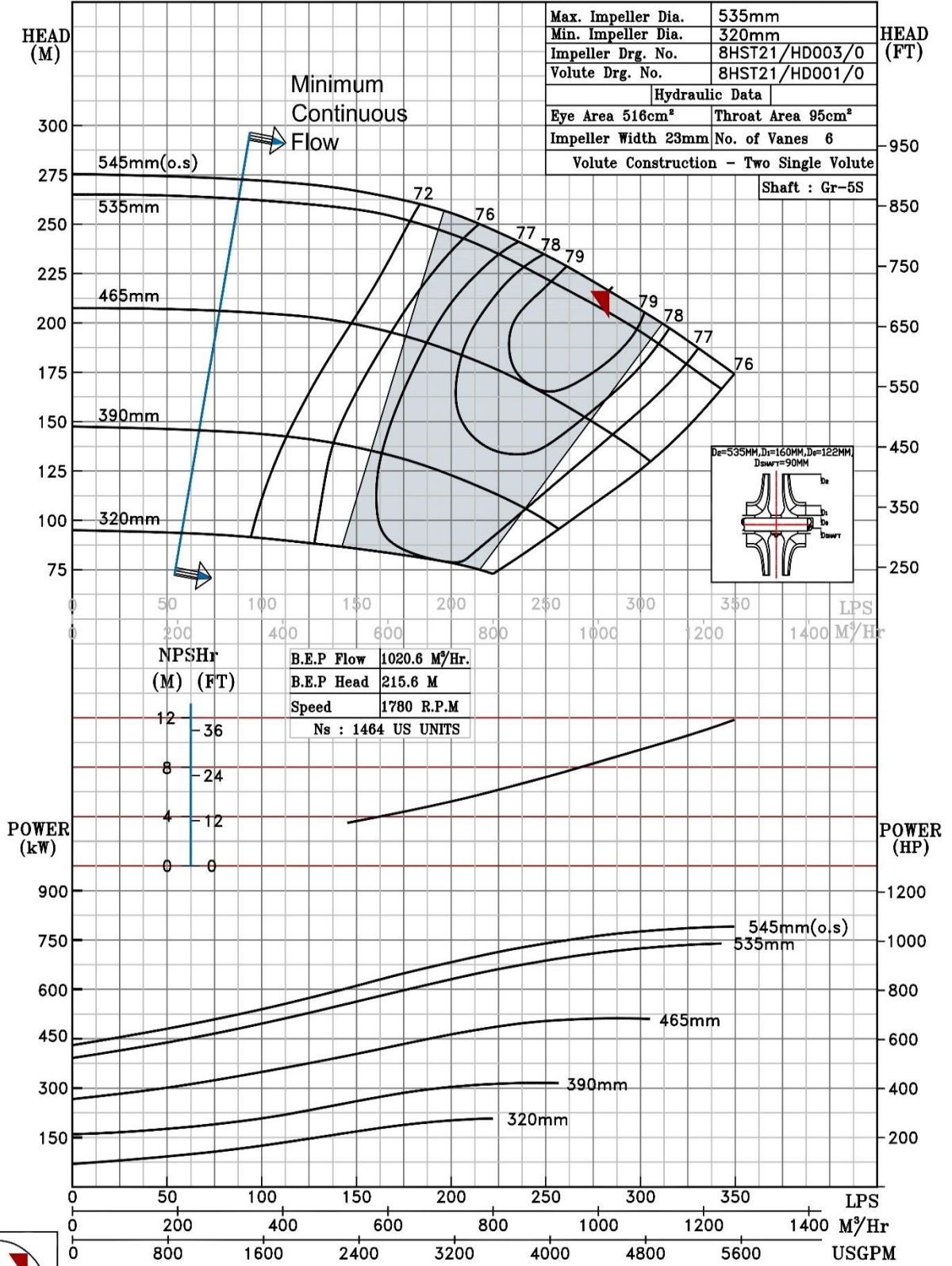
1780 RPM

NOTE- PERFORMANCE AS PER ISO 9906 GRADE-2B

PERFORMANCE CURVE OF 8HST21@1780 R.P.M		8HST21/X/301964	
 PUMPSENSE <i>HS RANGE</i>	MODEL 8HST21	WORKING PRESS. 30 bar	
	SIZE 250x200-535	TEST PRESS. 45 bar	
	TYPE-AXIALLY SPLIT CASE TWO STAGE		SPEED 1780 rpm


SHADED REGION ON THE H-Q CURVE REPRESENTS OPTIMUM SELECTION ZONE

PUMP PERFORMANCE CHARACTERISTICS COMPUTED BASED ON CLEAN COLD WATER S.G 1.0

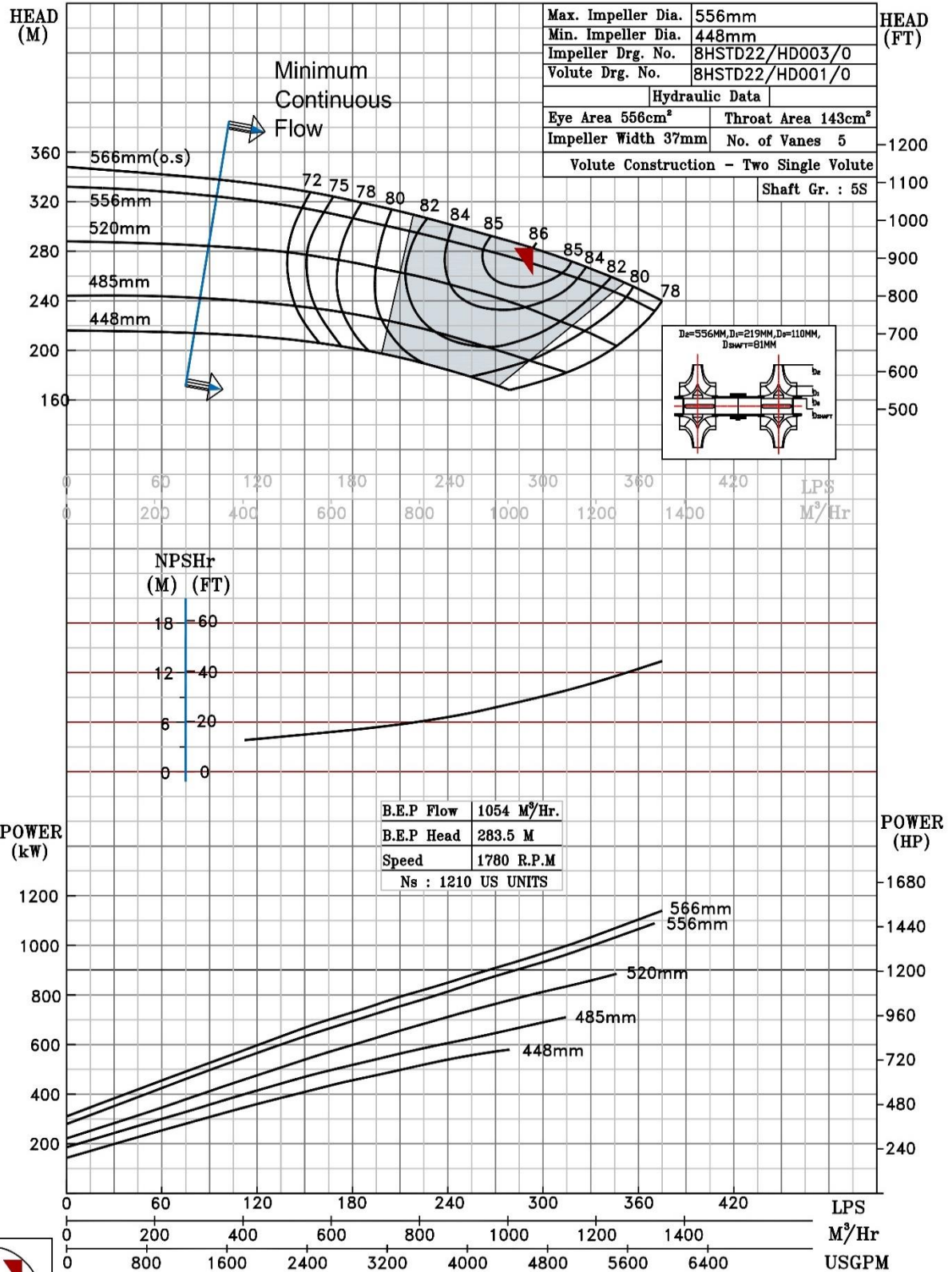


1780 RPM

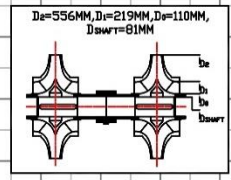
NOTE- PERFORMANCE AS PER ISO 9906 GRADE-2B

PERFORMANCE CURVE OF 8HSTD22 @1780 R.P.M		8HSTD22/Y/302064
 PUMPSENSE <i>HST RANGE</i>	MODEL 8HSTD22	WORKING PRESS. 35 bar
	SIZE 250x200-556	TEST PRESS. 52.5 bar
TYPE-AXIALLY SPLIT CASE TWO STAGE		SPEED 1780 rpm

SHADED REGION ON THE H-Q CURVE REPRESENTS OPTIMUM SELECTION ZONE
 PUMP PERFORMANCE CHARACTERISTICS COMPUTED BASED ON CLEAN COLD WATER S.G 1.0



Max. Impeller Dia.	556mm
Min. Impeller Dia.	448mm
Impeller Drg. No.	8HSTD22/HD003/0
Volute Drg. No.	8HSTD22/HD001/0
Hydraulic Data	
Eye Area	556cm²
Throat Area	143cm²
Impeller Width	37mm
No. of Vanes	5
Volute Construction - Two Single Volute	
Shaft Gr. : 5S	



B.E.P Flow	1054 M³/Hr.
B.E.P Head	283.5 M
Speed	1780 R.P.M
Ns	: 1210 US UNITS

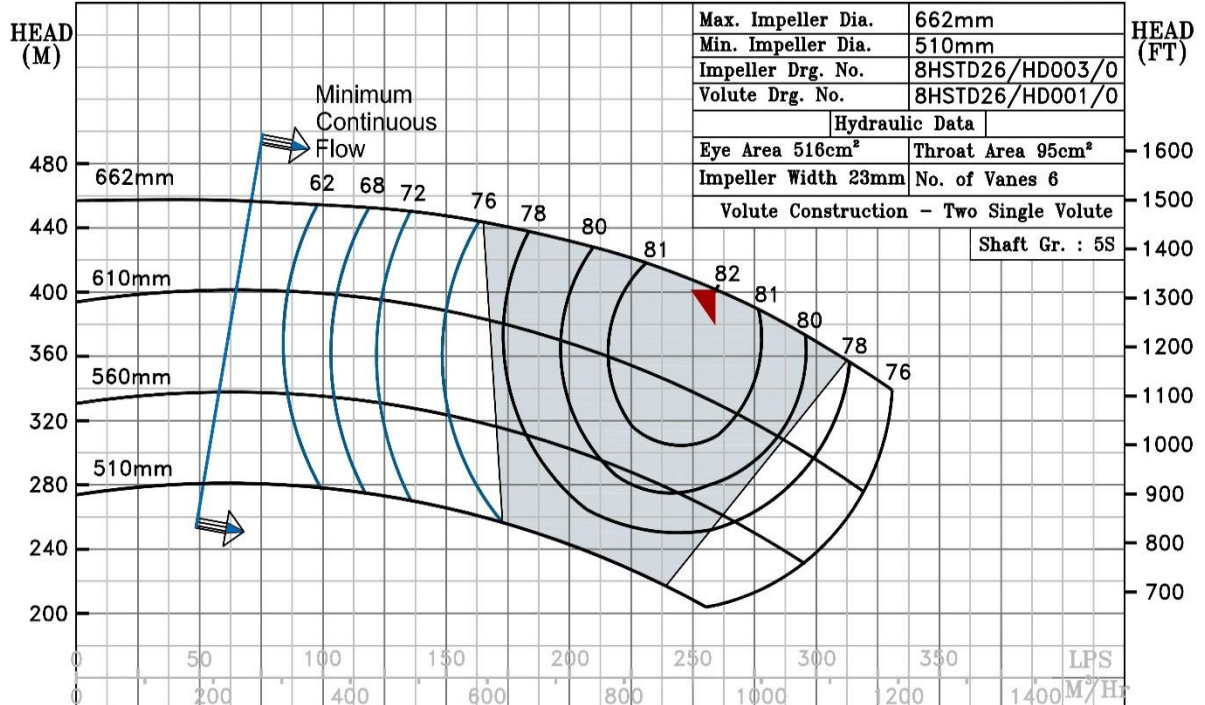


1780 RPM

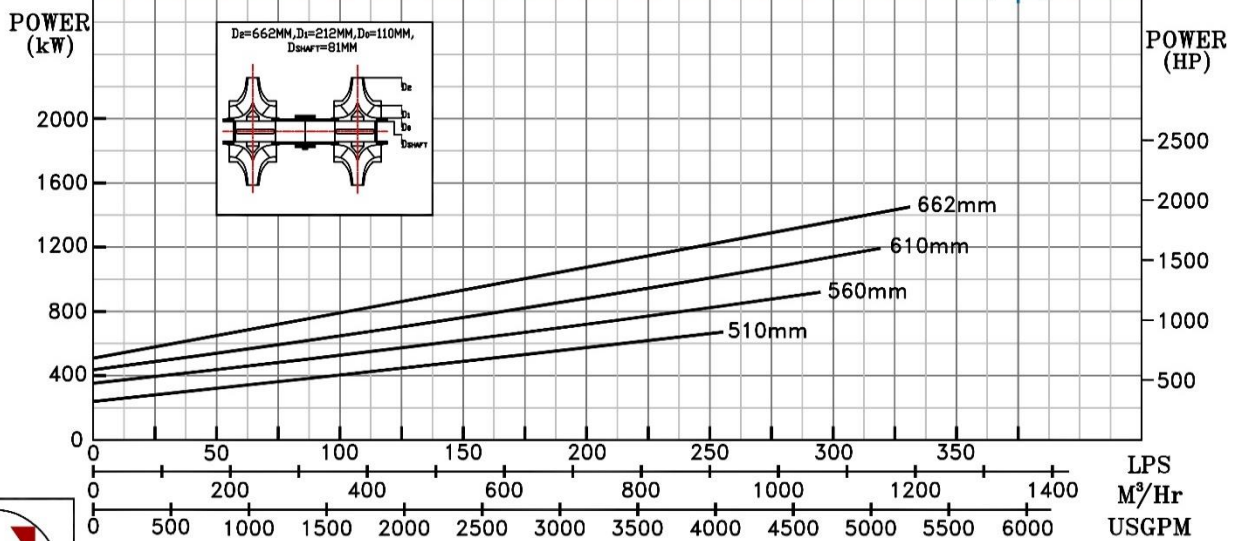
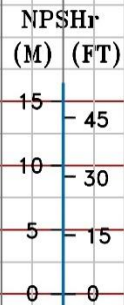
NOTE- PERFORMANCE AS PER ISO 9906 GRADE-2B

PERFORMANCE CURVE OF 8HSTD26 @1780 R.P.M		8HSTD26/X/302164	
 PUMPSENSE <i>HST RANGE</i>	MODEL 8HSTD26	WORKING PRESS.	48 bar
	SIZE 250x200-662	TEST PRESS.	72 bar
	TYPE-AXIALLY SPLIT CASE TWO STAGE		
	SPEED 1780 rpm		

SHADED REGION ON THE H-Q CURVE REPRESENTS OPTIMUM SELECTION ZONE
 PUMP PERFORMANCE CHARACTERISTICS COMPUTED BASED ON CLEAN COLD WATER S.G 1.0




B.E.P Flow	934.5 M ³ /Hr.
B.E.P Head	401 M
Speed	1780 R.P.M
Ns :	880 US UNITS



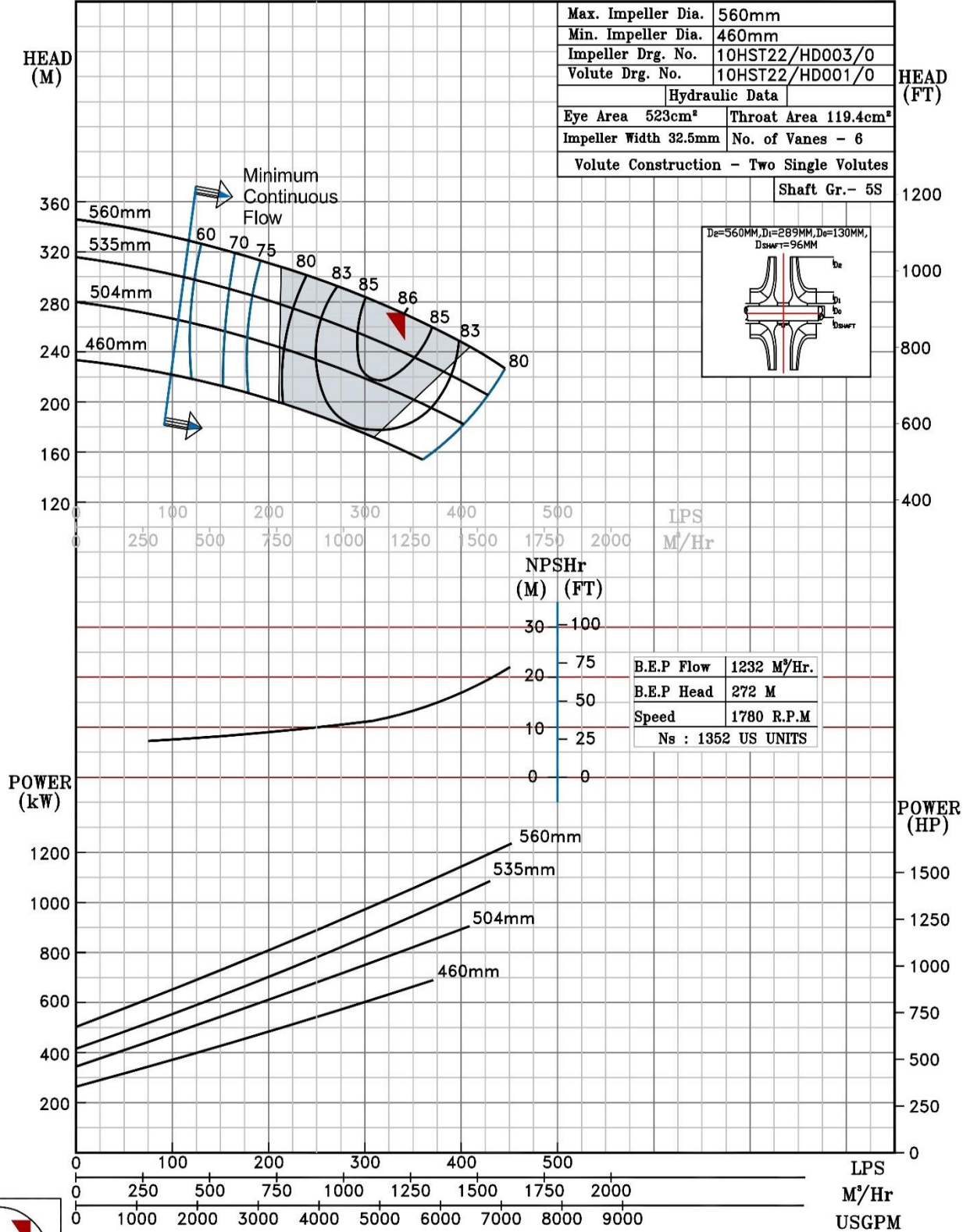
1780 RPM

NOTE- PERFORMANCE AS PER ISO 9906 GRADE-2B

PERFORMANCE CURVE OF 10HST22 @1780 R.P.M		10HST22/X/302264	
 PUMPSENSE <i>HST RANGE</i>	MODEL 10HST22	WORKING PRESS.	40 bar
	SIZE 300x250-560	TEST PRESS.	60 bar
	TYPE-AXIALLY SPLIT CASE TWO STAGE		
	SPEED 1780 rpm		

SHADED REGION ON THE H-Q CURVE REPRESENTS OPTIMUM SELECTION ZONE

PERFORMANCE CHARACTERISTICS BASED UPON CLEAN COLD WATER - ADD 0.5m TO NPSHR FOR SAFETY



1780 RPM