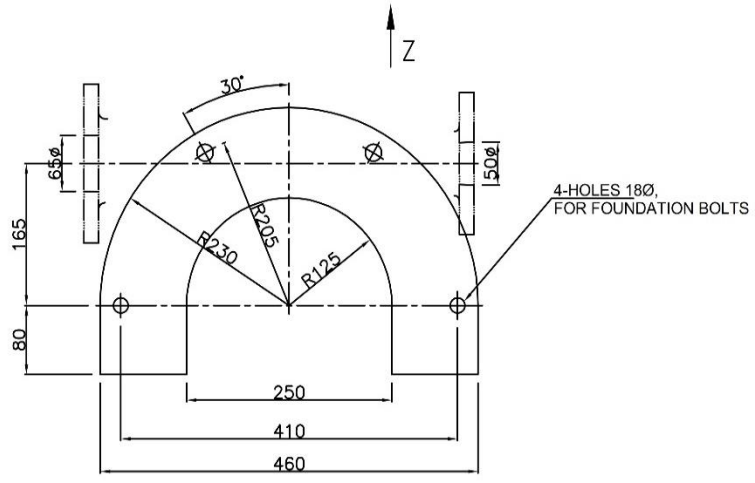
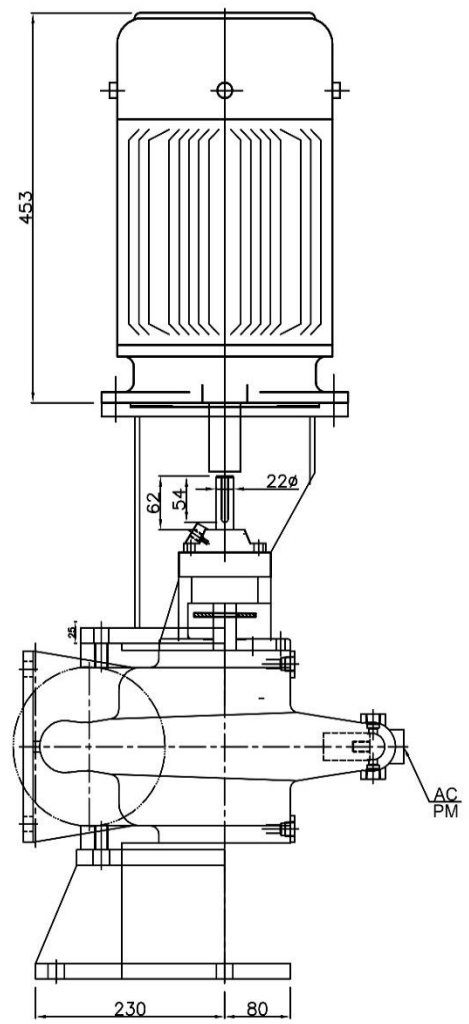
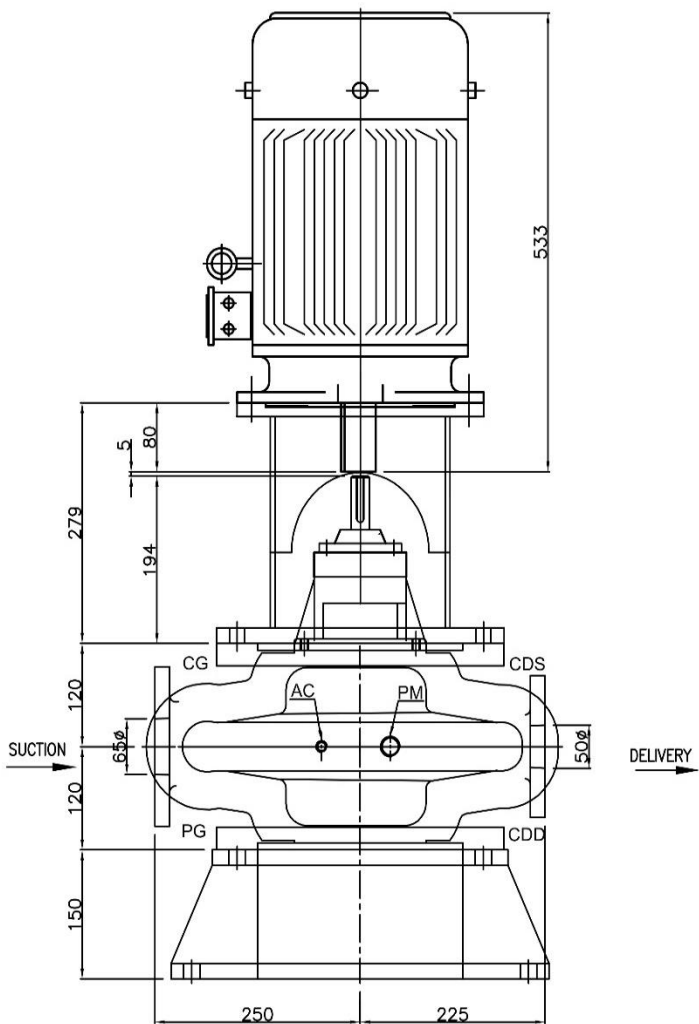


DRG.NO. REV.
0

CW ROTATION
LOOKING FROM DRIVE END



PLAN VIEW DIRECTION -Z
(PUMP STOOL FEET DETAILS)

CONNECTIONS		
ITEM	DESCRIPTION	SIZE(NPT)
CG	COMPOUND GAUGE FOR SUCTION	3/8"
PG	PRESSURE GAUGE FOR DELIVERY	3/8"
AC	AIR COCK	3/8"
PM	PRIMING	1/2"
CDS	CASING DRAIN(SUCTION SIDE)	3/8"
CDD	CASING DRAIN(DELIVERY SIDE)	3/8"

** GAUGE CONNECTIONS DRILLED AND TAPPED ONLY WHEN SPECIFICALLY REQUESTED BY THE CUSTOMER.

REF. NO.	TYPE OF FLANGE	O.D.	P.C.D.	THK MIN	NO. OF HOLES	SIZE OF HOLE	RF	RF.FLANGE	O.D.	P.C.D.	THK MIN	NO. OF HOLES	SIZE OF HOLE	RF	RF.FLANGE	THK
S	PN 16	185	145	18	4	Ø18	—	—								
D	PN 16								185	125	18	4	Ø18	—	—	
SUCTION - Ø65								DELIVERY - Ø50								

PROJECT NAME-		JOB NO.-	
PUMPSENSE			
TITLE-			
GA DRAWING FOR V2HS13 7.5Kw-4P MOTOR			
DRN	PS	10.10.13	DRG.NO.
CHKD	ST	10.10.13	
IDENTIFICATION NO.		REV.	
TYPE-1		0	



SCALE
1:1

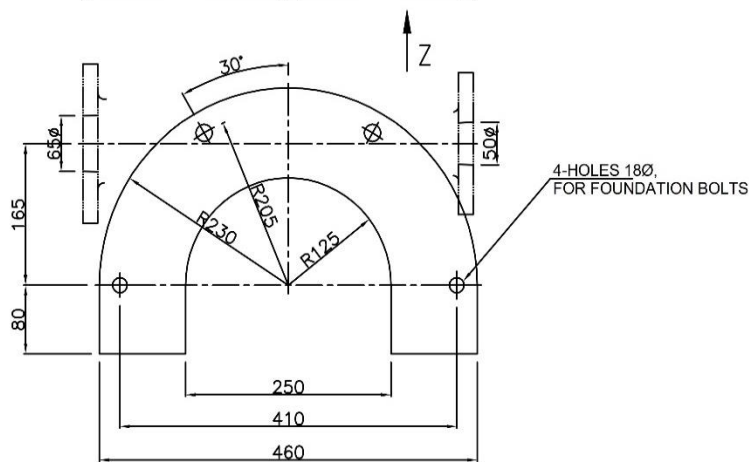
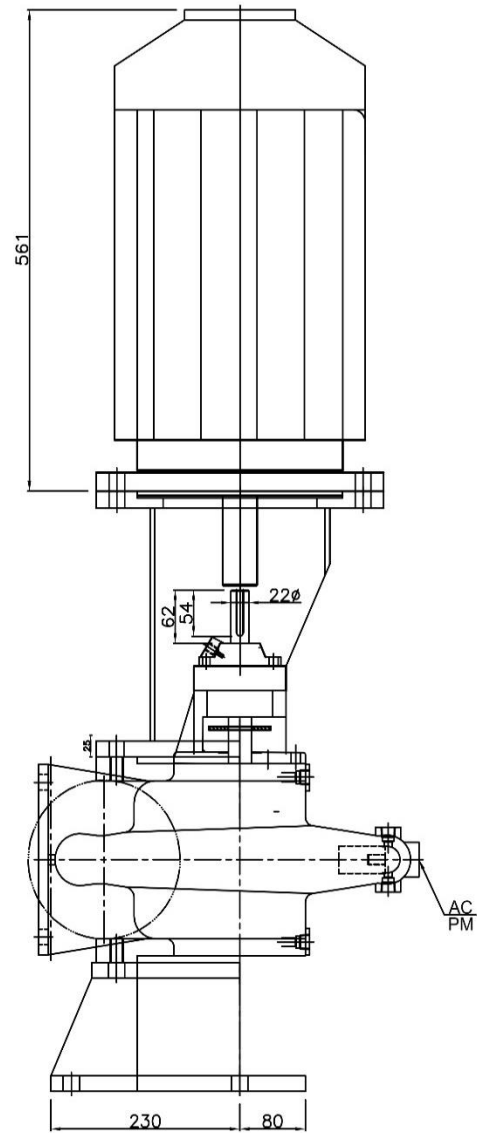
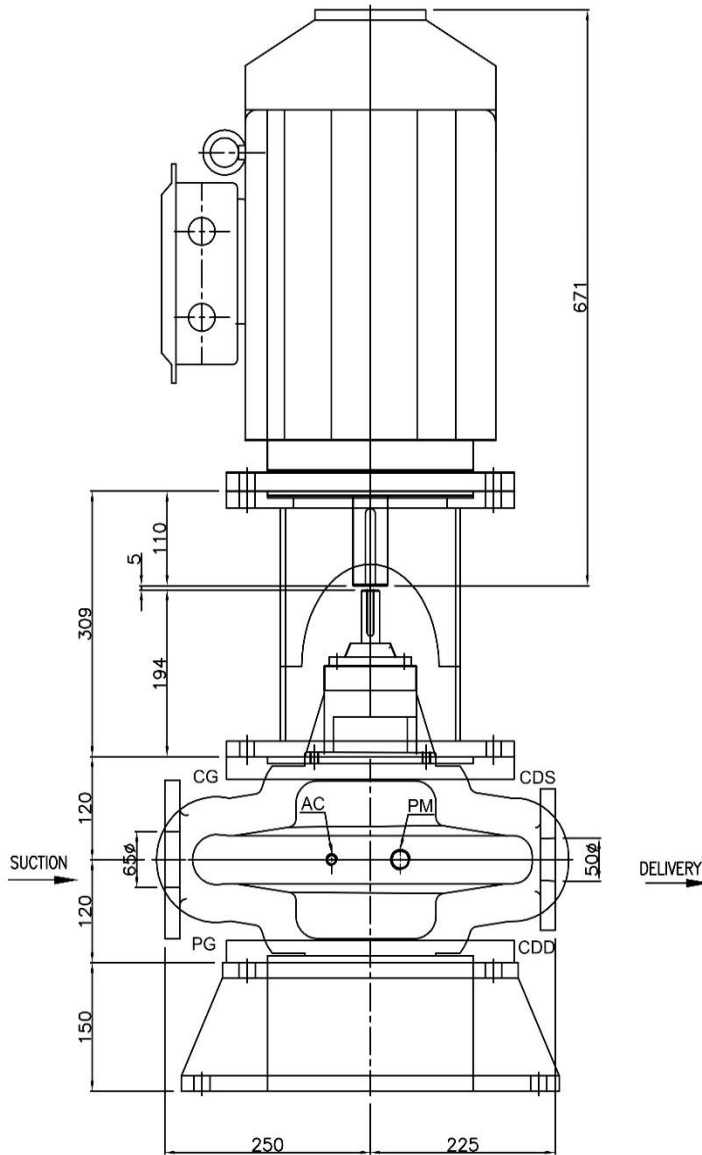
31.01.18 PUMP STOOL 'G'

DRG.NO.

REV.

0

CW ROTATION
LOOKING FROM DRIVE END



PLAN VIEW DIRECTION -Z
(PUMP STOOL FEET DETAILS)

CONNECTIONS		
ITEM	DESCRIPTION	SIZE(NPT)
CG	COMPOUND GAUGE FOR SUCTION	3/8"
PG	PRESSURE GAUGE FOR DELIVERY	3/8"
AC	AIR COCK	3/8"
PM	PRIMING	1/2"
CDS	CASING DRAIN(SUCTION SIDE)	3/8"
CDD	CASING DRAIN(DELIVERY SIDE)	3/8"

** GAUGE CONNECTIONS DRILLED AND TAPPED ONLY WHEN SPECIFICALLY REQUESTED BY THE CUSTOMER.

REF. NO.	TYPE OF FLANGE	O.D.	P.C.D.	THK MIN	NO. OF HOLES	SIZE OF HOLE	RF	DRF	THK OF FLANGE	O.D.	P.C.D.	THK MIN	NO. OF HOLES	SIZE OF HOLE	RF	DRF	THK OF FLANGE
S	PN 16	185	145	18	4	Ø18	-	-									
D	PN 16								185	125	18	4	Ø18	-	-		
SUCTION - Ø65																	
DELIVERY - Ø50																	

PROJECT NAME-		JOB NO.-	
PUMPSENSE			
TITLE-			SCALE 1:1
GA DRAWING FOR V2HS13 9.2KW-4P MOTOR			
DRN	PS	10.10.13	TYPE-2
CHKD	ST	10.10.13	
DRG.NO.		IDENTIFICATION NO.	
APPD	HS	10.10.13	REV. 0

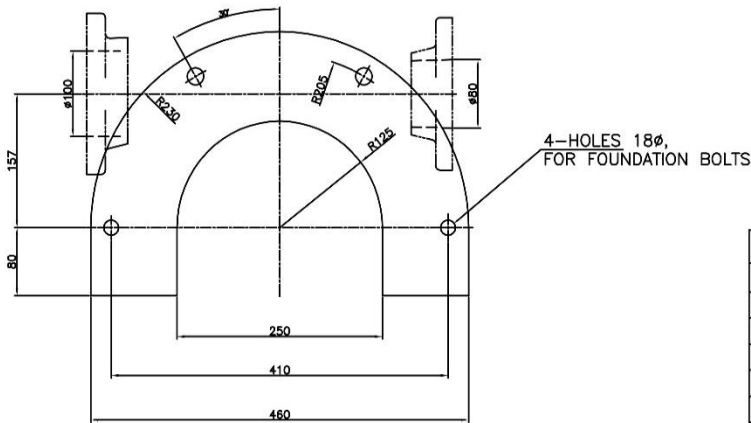
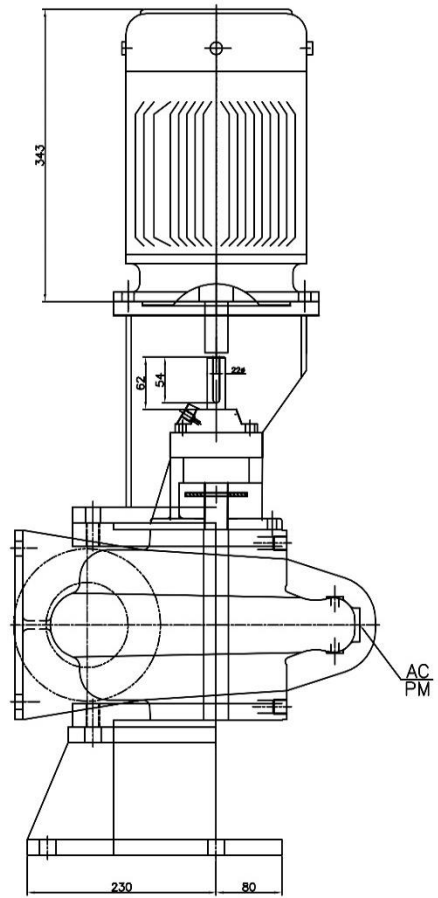
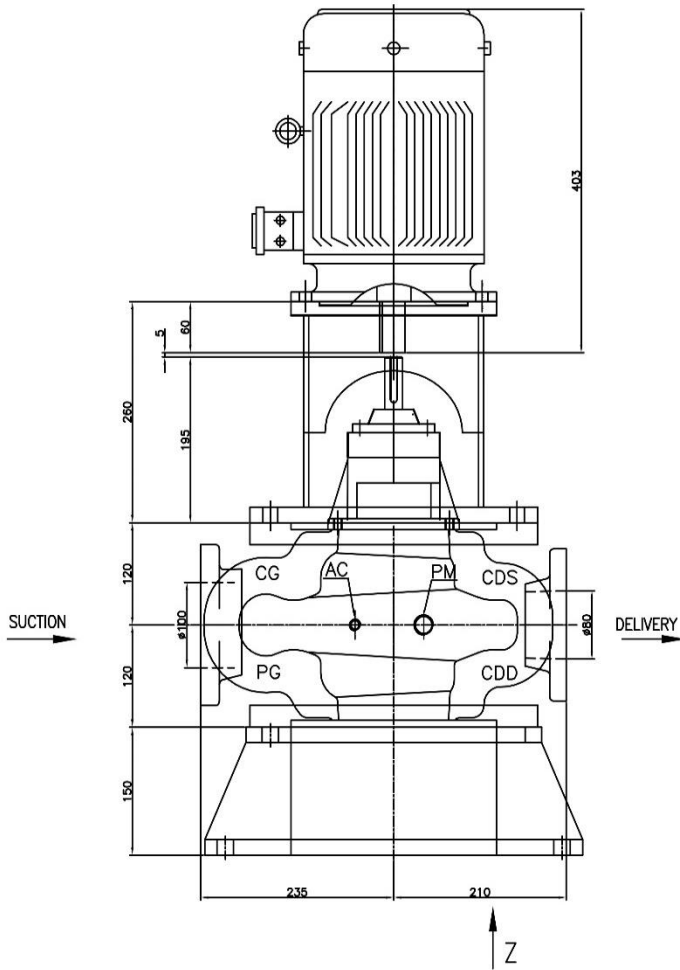
31.01.18 PUMP STOOL 'G'

DRG.NO.

REV.

0

CW ROTATION
LOOKING FROM DRIVE END



PLAN VIEW DIRECTION -Z
(PUMP STOOL FEET DETAILS)

CONNECTIONS		
ITEM	DESCRIPTION	SIZE(NPT)
CG	COMPOUND GAUGE FOR SUCTION	3/8"
PG	PRESSURE GAUGE FOR DELIVERY	3/8"
AC	AIR COCK	3/8"
PM	PRIMING	1/2"
CDS	CASING DRAIN(SUCTION SIDE)	1/2"
CDD	CASING DRAIN(DELIVERY SIDE)	1/2"

** GAUGE CONNECTIONS DRILLED AND TAPPED ONLY WHEN SPECIFICALLY REQUESTED BY THE CUSTOMER.

251054

REF. NO.	TYPE OF FLANGE	O.D.	P.C.D.	THK	NO. OF HOLES	SIZE OF HOLE	RF	RF.FLANGE	THK	O.D.	P.C.D.	THK	NO. OF HOLES	SIZE OF HOLE	RF	RF.FLANGE	THK
S	PN 16	220	180	20	8	Ø18	—	—	—	—	—	—	—	—	—	—	—
D	PN 16								200	160	20	8	Ø18	—	—	—	—
SUCTION - Ø100									DELIVERY - Ø80								

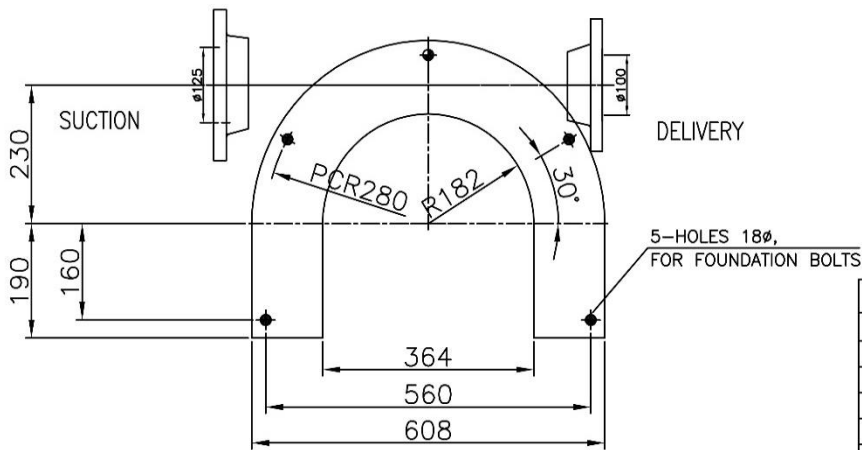
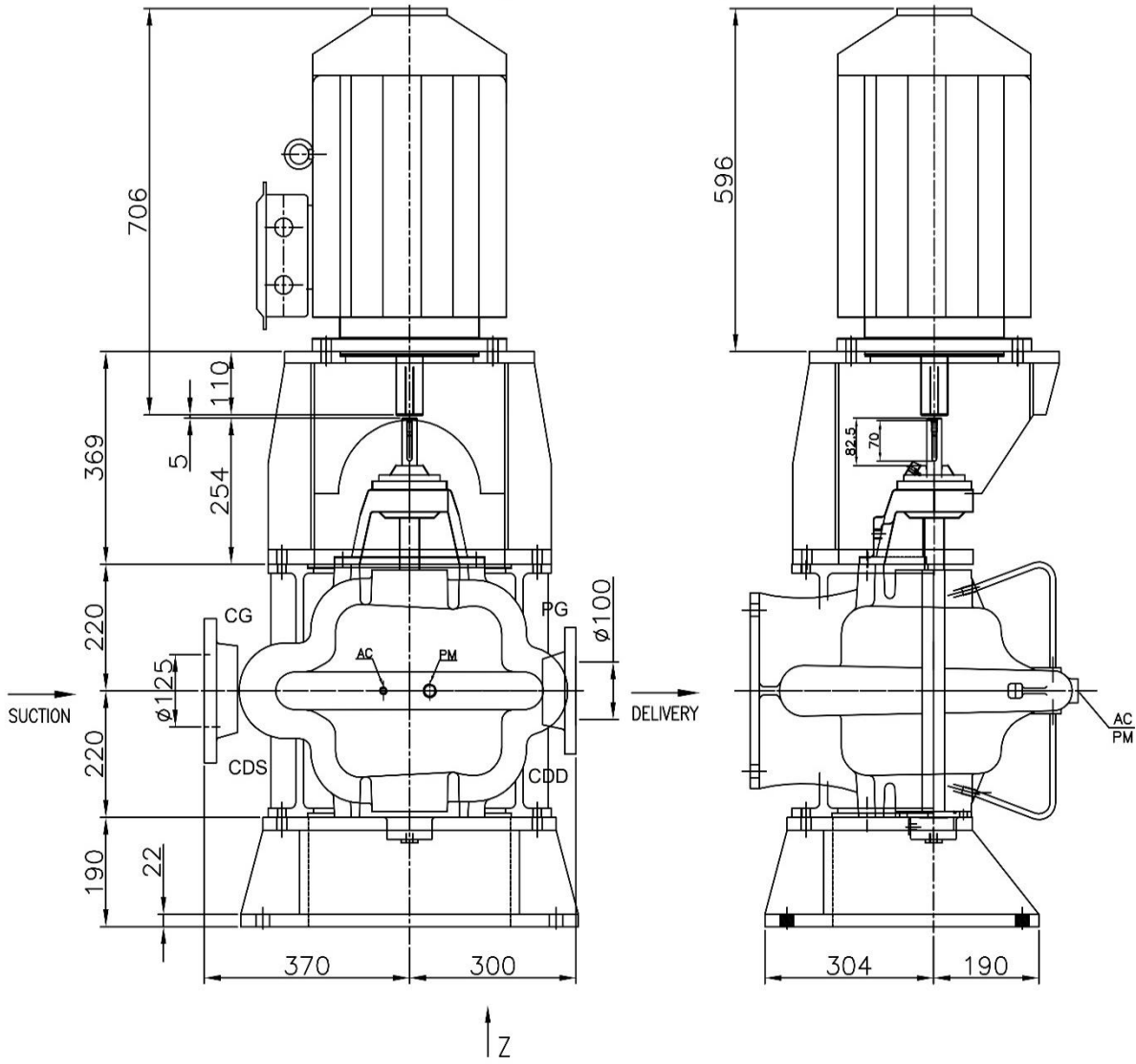
PROJECT NAME-		JOB NO.-	
PUMPSENSE			
TITLE-			
GA DRAWING FOR V3HS10 3.7Kw-4P MOTOR FR 112			
DRN		PS	10.10.13
CHKD		ST	10.10.13
APPD		HS	10.10.13
DRG.NO.		IDENTIFICATION NO.	
		TYPE-1	
SCALE			REV.
1:1			0

31.01.18 PUMP STOOL 'G'

REV.	DESCRIPTION	DRN	CHKD	DATE	APPD	HS

DRG.NO.	REV.
	0

CW ROTATION
LOOKING FROM DRIVE END



PLAN VIEW DIRECTION -Z
(PUMP STOOL FEET DETAILS)

CONNECTIONS		
ITEM	DESCRIPTION	SIZE(NPT)
CG	COMPOUND GAUGE FOR SUCTION	3/8"
PG	PRESSURE GAUGE FOR DELIVERY	3/8"
AC	AIR COCK	3/8"
PM	PRIMING	1/2"
CDS	CASING DRAIN(SUCTION SIDE)	1/2"
CDD	CASING DRAIN(DELIVERY SIDE)	1/2"

** GAUGE CONNECTIONS DRILLED AND TAPPED ONLY WHEN SPECIFICALLY REQUESTED BY THE CUSTOMER.

REF. NO.	TYPE OF FLANGE	O.D.	P.C.D.	THK MIN OF HOLE	NO. OF HOLES	SIZE OF HOLE	RF	DRF	THK OF FLANGE	O.D.	P.C.D.	THK MIN OF HOLE	NO. OF HOLES	SIZE OF HOLE	RF	DRF	THK OF FLANGE
S	PN 16	250	210	22	8	Ø18	-	-	-	220	180	20	8	Ø18	-	-	-
D	PN 16																
SUCTION - Ø125									DELIVERY - Ø100								

PROJECT NAME-		JOB NO.-	
PUMPSENSE			
TITLE-			
GA DRAWING FOR V4HS15 22kw-4P MOTOR FR-180			
DRN	PS	10.10.13	DRG.NO.
CHKD	ST	10.10.13	
IDENTIFICATION NO.		REV.	
		0	

251054

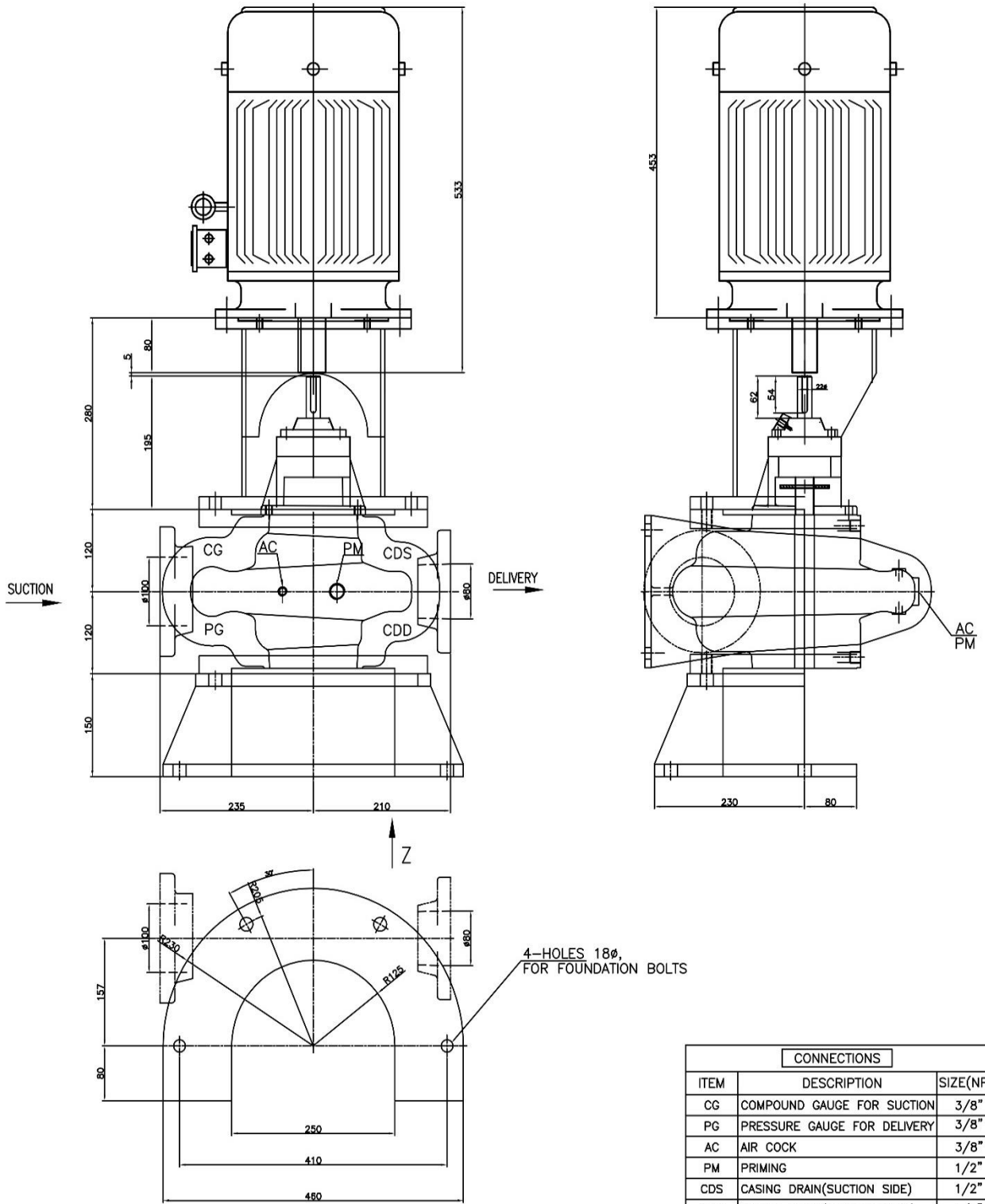
10.01.18 PUMP STOOL 'E'

DRG.NO.

REV.

0

CW ROTATION
LOOKING FROM DRIVE END



PLAN VIEW DIRECTION -Z
(PUMP STOOL FEET DETAILS)

CONNECTIONS		
ITEM	DESCRIPTION	SIZE(NPT)
CG	COMPOUND GAUGE FOR SUCTION	3/8"
PG	PRESSURE GAUGE FOR DELIVERY	3/8"
AC	AIR COCK	3/8"
PM	PRIMING	1/2"
CDS	CASING DRAIN(SUCTION SIDE)	1/2"
CDD	CASING DRAIN(DELIVERY SIDE)	1/2"

** GAUGE CONNECTIONS DRILLED AND TAPPED ONLY WHEN SPECIFICALLY REQUESTED BY THE CUSTOMER.

251054

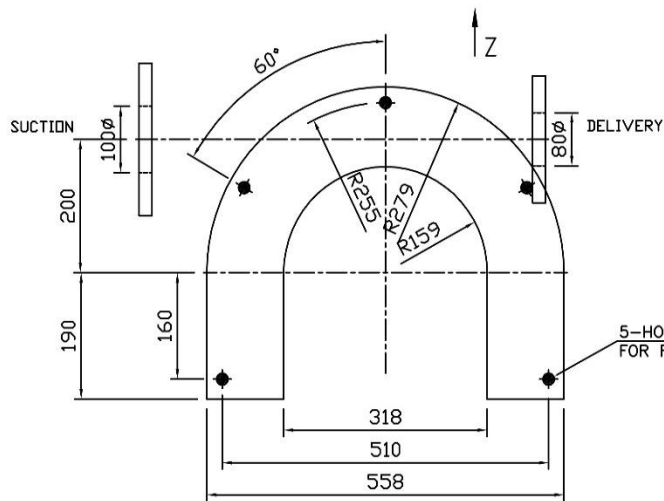
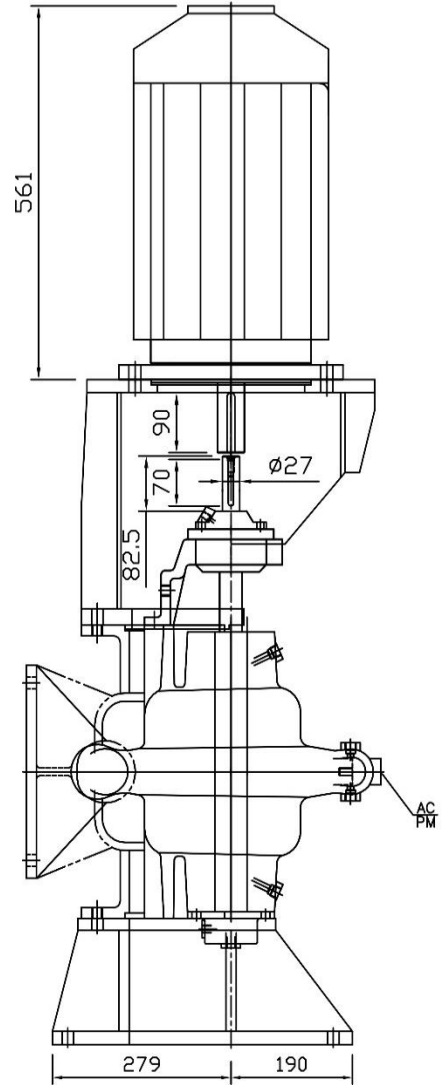
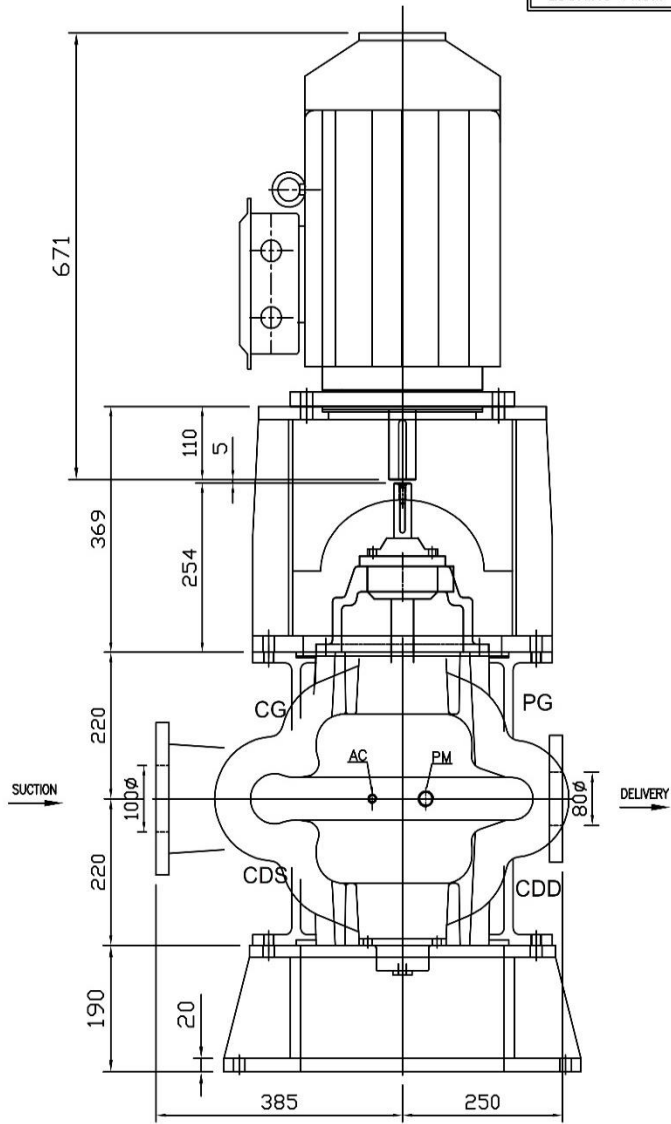
REF. NO.	TYPE OF FLANGE	O.D.	P.C.D.	THK MIN	NO. OF HOLES	SIZE OF HOLE	RF	ØRF.	THK OF FLANGE	O.D.	P.C.D.	THK MIN	NO. OF HOLES	SIZE OF HOLE	RF	ØRF.	THK OF FLANGE
S	PN 16	220	180	20	8	Ø18	—	—	—	—	—	—	—	—	—	—	—
D	PN 16								200	160	20	8	Ø18	—	—	—	—
SUCTION - Ø100										DELIVERY - Ø80							

PROJECT NAME-		JOB NO.-	
PUMPSENSE			
TITLE- GA DRAWING FOR V3HS10 5.5Kw-4P MOTOR FR-132			
DRN PS 10.10.13		DRG.NO.	
CHKD ST 10.10.13		IDENTIFICATION NO.	
APPD HS 10.10.13		REV. 0	

31.01.18 PUMP STOOL 'G'

DRG.NO. REV. 0

CW ROTATION
LOOKING FROM DRIVE END



PLAN VIEW DIRECTION -Z
(PUMP STOOL FEET DETAILS)

5-HOLES 18φ,
FOR FOUNDATION BOLTS

CONNECTIONS		
ITEM	DESCRIPTION	SIZE(NPT)
CG	COMPOUND GAUGE FOR SUCTION	3/8"
PG	PRESSURE GAUGE FOR DELIVERY	3/8"
AC	AIR COCK	3/8"
PM	PRIMING	1/2"
CDS	CASING DRAIN(SUCTION SIDE)	1/2"
CDD	CASING DRAIN(DELIVERY SIDE)	1/2"

** GAUGE CONNECTIONS DRILLED AND TAPPED ONLY WHEN SPECIFICALLY REQUESTED BY THE CUSTOMER.

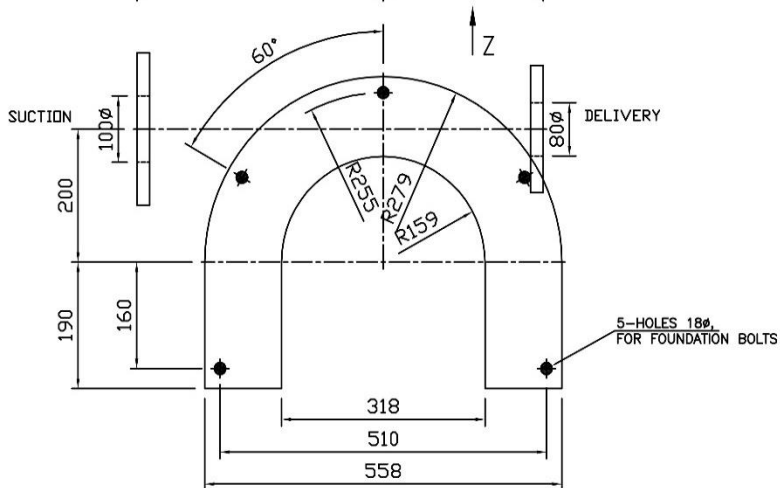
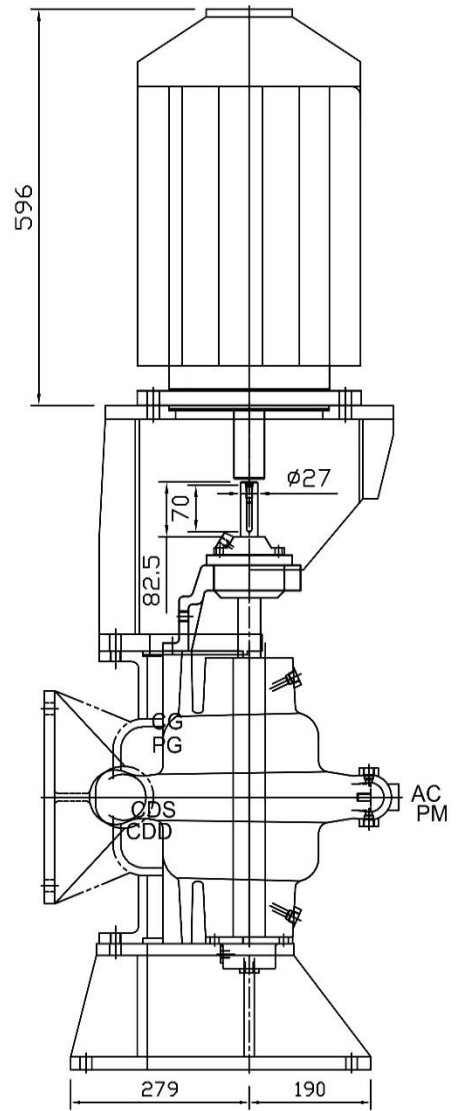
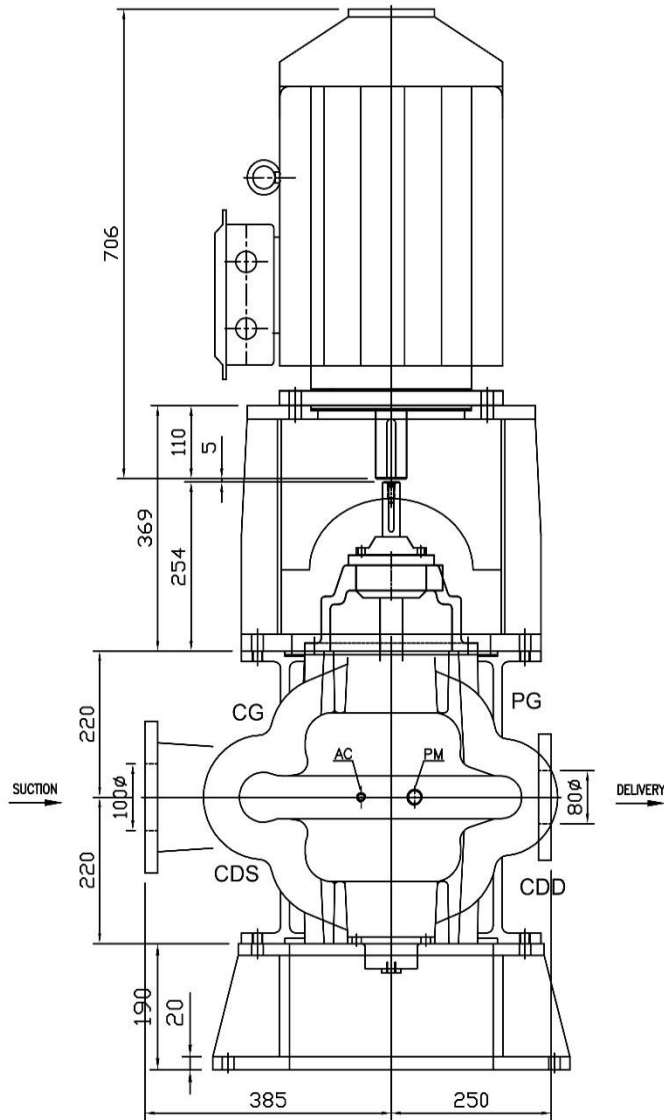
REF. NO.	TYPE OF FLANGE	O.D.	P.C.D.	THK	NO. OF HOLES	SIZE OF HOLE	RF	ØRF.	THK OF FLANGE	O.D.	P.C.D.	THK	NO. OF HOLES	SIZE OF HOLE	RF	ØRF.	THK OF FLANGE
S	PN 16	220	180	20	8	Ø18	—	—	—	200	160	20	8	Ø18	—	—	—
D	PN 16																
		SUCTION - Ø100						DELIVERY - Ø80									

PROJECT NAME-		JOB NO.-	
PUMPSENSE			
TITLE-			SCALE 1:1
GA DRAWING FOR V3HS13 15kw-4P MOTOR FR-160			
DRN	PS	10.10.13	DRG.NO.
CHKD	ST	10.10.13	
APPD	HS	10.10.13	
IDENTIFICATION NO.		REV. 0	

17.01.18 PUMP STOOL pcr 209

DRG.NO. REV.
0

CW ROTATION
LOOKING FROM DRIVE END



PLAN VIEW DIRECTION -Z
(PUMP STOOL FEET DETAILS)

CONNECTIONS		
ITEM	DESCRIPTION	SIZE(NPT)
CG	COMPOUND GAUGE FOR SUCTION	3/8"
PG	PRESSURE GAUGE FOR DELIVERY	3/8"
AC	AIR COCK	3/8"
PM	PRIMING	1/2"
CDS	CASING DRAIN(SUCTION SIDE)	1/2"
CDD	CASING DRAIN(DELIVERY SIDE)	1/2"

** GAUGE CONNECTIONS DRILLED AND TAPPED ONLY WHEN SPECIFICALLY REQUESTED BY THE CUSTOMER.

S	PN 16	220	180	20	8, #18												
D	PN 16					200	160	20	8, #18								
REF. NO.	TYPE OF FLANGE	O.D.	P.C.D.	THK	NO. OF HOLES	SIZE OF HOLE	RF	DRF	THK OF FLANGE	O.D.	P.C.D.	THK	NO. OF HOLES	SIZE OF HOLE	RF	DRF	THK OF FLANGE
		SUCTION - ϕ 100				DELIVERY - ϕ 80											

PROJECT NAME-		JOB NO.-	
PUMPSENSE			
TITLE-			
GA DRAWING FOR V3HS13 18.5KW-4P MOTOR FR-18Q			
DRN		PS	
CHKD		ST	
APPD		HS	
DATE		DATE	
10.10.13		10.10.13	
DRG.NO.		IDENTIFICATION NO.	
REV.		REV.	
0		0	

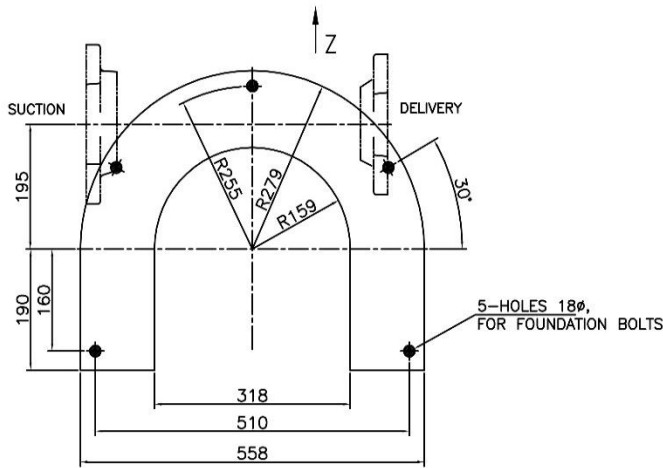
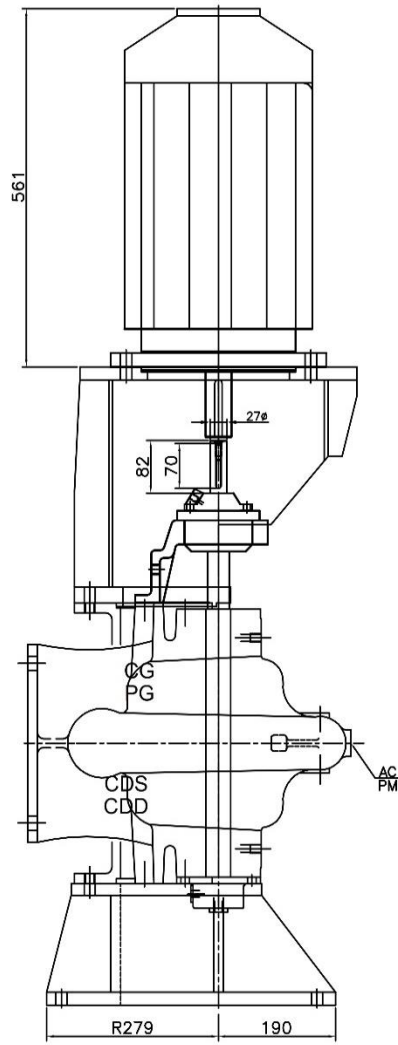
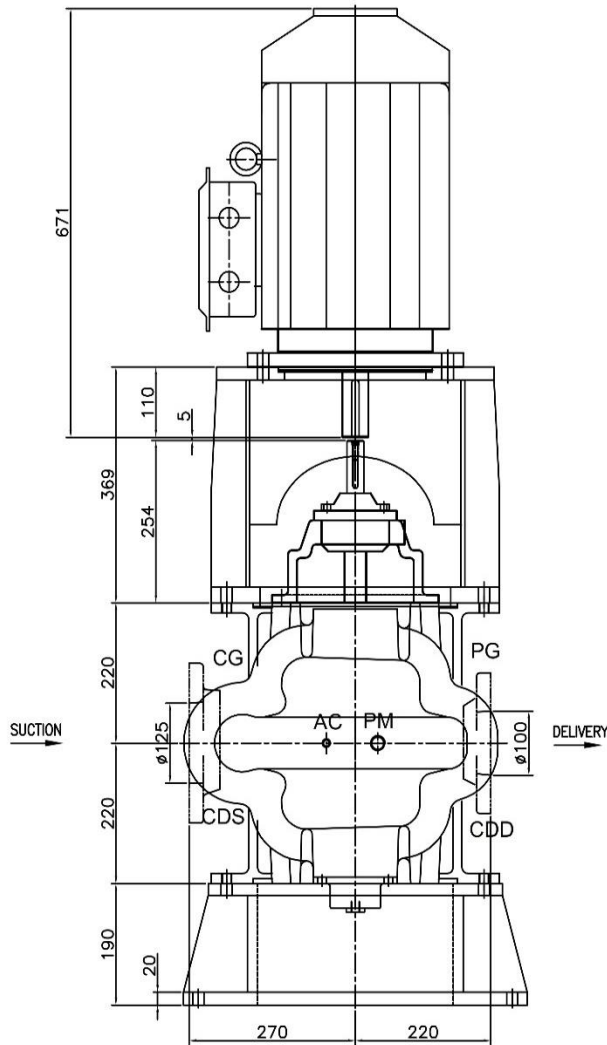
17.01.18 PUMP STOOL pcr 209

DRG.NO.

REV.

0

CW ROTATION
LOOKING FROM DRIVE END



PLAN VIEW DIRECTION -Z
(PUMP STOOL FEET DETAILS)

CONNECTIONS		
ITEM	DESCRIPTION	SIZE(NPT)
CG	COMPOUND GAUGE FOR SUCTION	3/8"
PG	PRESSURE GAUGE FOR DELIVERY	3/8"
AC	AIR COCK	3/8"
PM	PRIMING	1/2"
CDS	CASING DRAIN(SUCTION SIDE)	1/2"
CDD	CASING DRAIN(DELIVERY SIDE)	1/2"

** GAUGE CONNECTIONS DRILLED AND TAPPED ONLY
WHEN SPECIFICALLY REQUESTED BY THE CUSTOMER.

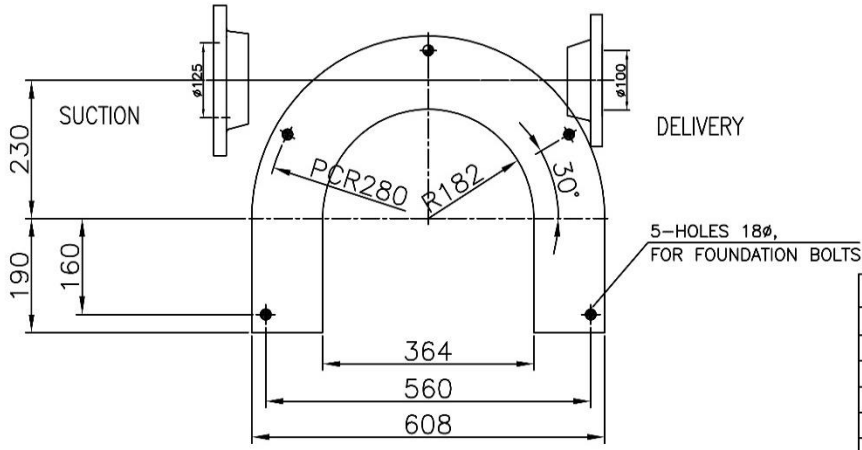
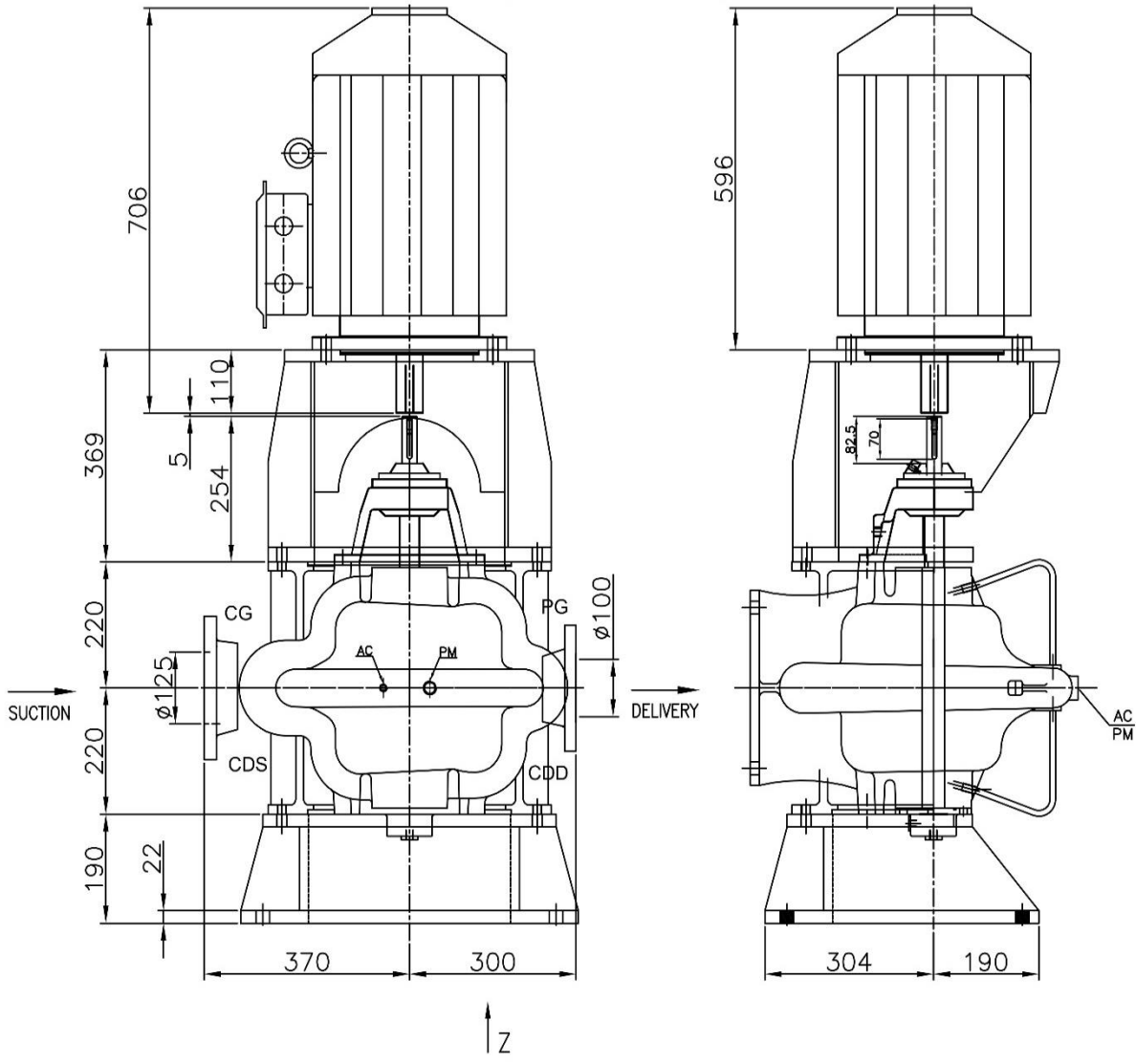
REF. NO.	TYPE OF FLANGE	O.D.	P.C.D.	THK MIN	NO. OF HOLES	SIZE OF HOLE	RF	DRF	THK OF FLANGE	O.D.	P.C.D.	THK MIN	NO. OF HOLES	SIZE OF HOLE	RF	DRF	THK OF FLANGE
S	PN 16	250	210	22	8	18	—	—	—	220	180	20	8	18	—	—	—
D	PN 16																
SUCTION - ϕ 125										DELIVERY - ϕ 100							

PROJECT NAME-		JOB NO.-	
PUMPSENSE			
TITLE-			
GA DRAWING FOR V4HS11 11&15Kw-4P MOTOR FR-180			
DRN PS 10.10.13		DRG.NO.	
CHKD ST 10.10.13		IDENTIFICATION NO.	
APPD HS 10.10.13		REV.	
		0	

12.01.18 PUMP STOOL 'C'

DRG.NO. REV.
0

CW ROTATION
LOOKING FROM DRIVE END



PLAN VIEW DIRECTION -Z
(PUMP STOOL FEET DETAILS)

CONNECTIONS		
ITEM	DESCRIPTION	SIZE(NPT)
CG	COMPOUND GAUGE FOR SUCTION	3/8"
PG	PRESSURE GAUGE FOR DELIVERY	3/8"
AC	AIR COCK	3/8"
PM	PRIMING	1/2"
CDS	CASING DRAIN(SUCTION SIDE)	1/2"
CDD	CASING DRAIN(DELIVERY SIDE)	1/2"

** GAUGE CONNECTIONS DRILLED AND TAPPED ONLY WHEN SPECIFICALLY REQUESTED BY THE CUSTOMER.

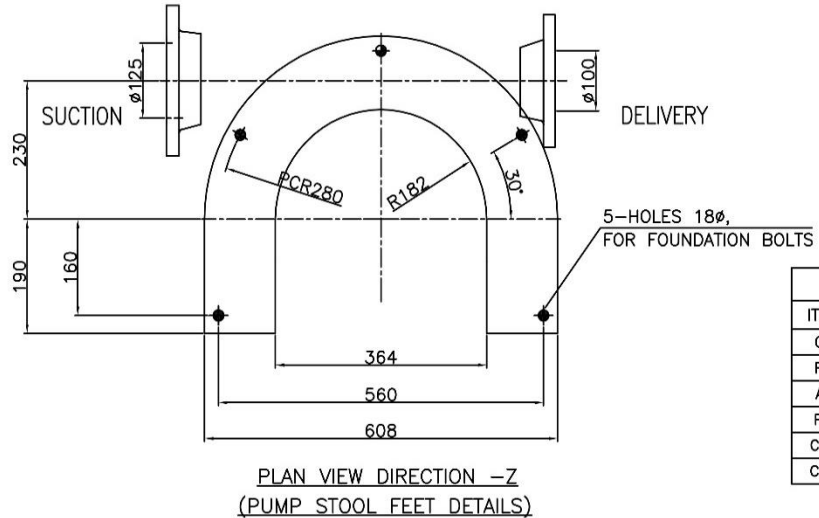
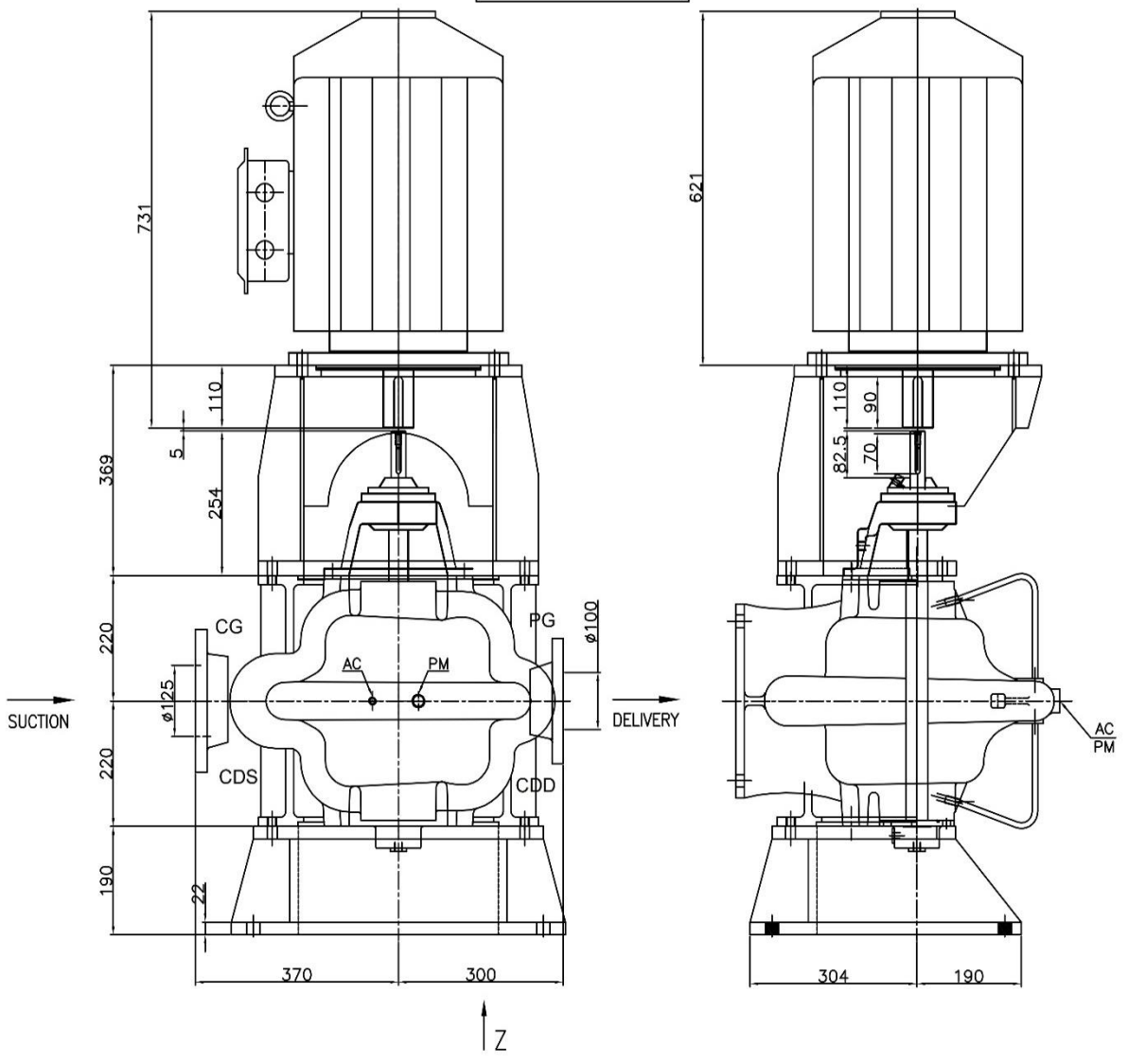
S	PN 16	250	210	22	8, #18												
D	PN 16						220	180	20	8, #18							
REF. NO.	TYPE OF FLANGE	O.D.	P.C.D.	THK MIN	NO. OF HOLES	SIZE OF HOLE	RF	RF	THK OF FLANGE	O.D.	P.C.D.	THK MIN	NO. OF HOLES	SIZE OF HOLE	RF	RF	THK OF FLANGE
		SUCTION - $\phi 125$					DELIVERY - $\phi 100$										

PROJECT NAME-		JOB NO.-	
PUMPSENSE			
TITLE-			
GA DRAWING FOR V4HS15			
22Kw-4P MOTOR FR-180			
DRN	PS	10.10.13	DRG.NO.
CHKD	ST	10.10.13	IDENTIFICATION NO.
APPD	HS	10.10.13	REV.
			0

10.01.18 PUMP STOOL 'E'

DRG.NO. REV.
0

CW ROTATION
LOOKING FROM DRIVE END



CONNECTIONS		
ITEM	DESCRIPTION	SIZE(NPT)
CG	COMPOUND GAUGE FOR SUCTION	3/8"
PG	PRESSURE GAUGE FOR DELIVERY	3/8"
AC	AIR COCK	3/8"
PM	PRIMING	1/2"
CDS	CASING DRAIN(SUCTION SIDE)	1/2"
CDD	CASING DRAIN(DELIVERY SIDE)	1/2"

** GAUGE CONNECTIONS DRILLED AND TAPPED ONLY WHEN SPECIFICALLY REQUESTED BY THE CUSTOMER.

PLAN VIEW DIRECTION -Z
(PUMP STOOL FEET DETAILS)

REF. NO.	TYPE OF FLANGE	O.D.	P.C.D.	THK MIN	NO. OF HOLES	SIZE OF HOLE	RF	DRF	THK OF FLANGE	O.D.	P.C.D.	THK MIN	NO. OF HOLES	SIZE OF HOLE	RF	DRF	THK OF FLANGE
S	PN 16	250	210	22	8	Ø18	—	—	—	220	180	20	8	Ø18	—	—	—
D	PN 16																
SUCTION - Ø125									DELIVERY - Ø100								

PROJECT NAME-		JOB NO.-	
PUMPSENSE			
TITLE-			
GA DRAWING FOR V4HS15			
30KW-4P MOTOR FR-200			
DRN	PS	10.10.13	DRG.NO.
CHKD	ST	10.10.13	
APPD	HS	10.10.13	
IDENTIFICATION NO.		REV.	
		0	

251054

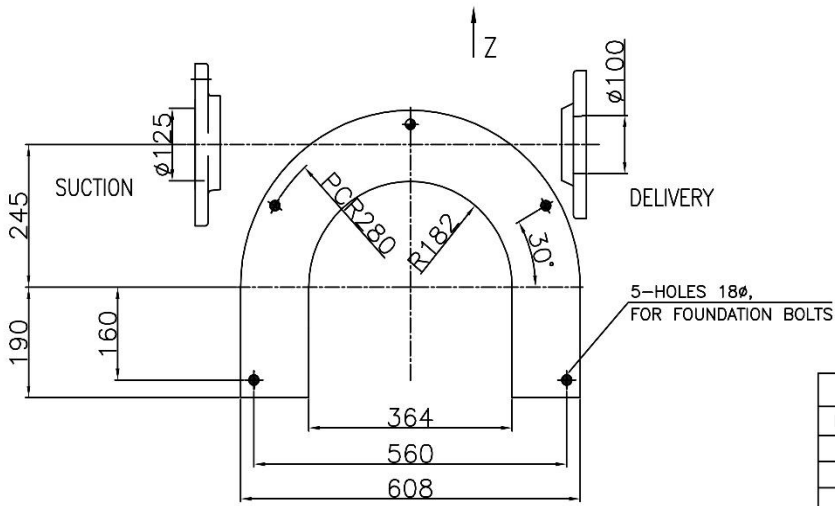
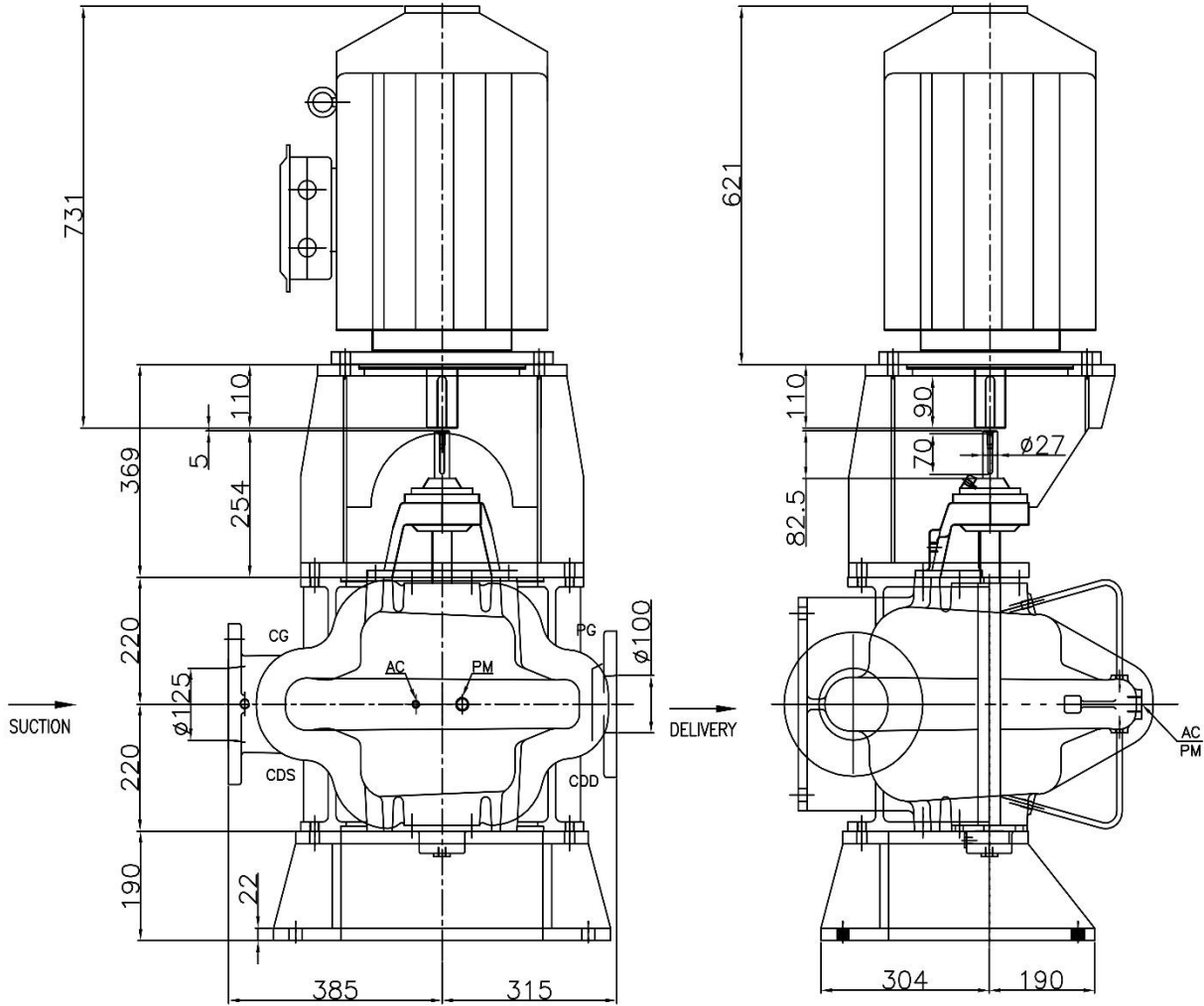
10.01.18 PUMP STOOL "E"

DRG.NO.

REV.

0

CW ROTATION
LOOKING FROM DRIVE END



PLAN VIEW DIRECTION -Z
(PUMP STOOL FEET DETAILS)

CONNECTIONS		
ITEM	DESCRIPTION	SIZE(NPT)
CG	COMPOUND GAUGE FOR SUCTION	3/8"
PG	PRESSURE GAUGE FOR DELIVERY	3/8"
AC	AIR COCK	3/8"
PM	PRIMING	1/2"
CDS	CASING DRAIN(SUCTION SIDE)	1/2"
CDD	CASING DRAIN(DELIVERY SIDE)	1/2"

** GAUGE CONNECTIONS DRILLED AND TAPPED ONLY WHEN SPECIFICALLY REQUESTED BY THE CUSTOMER.

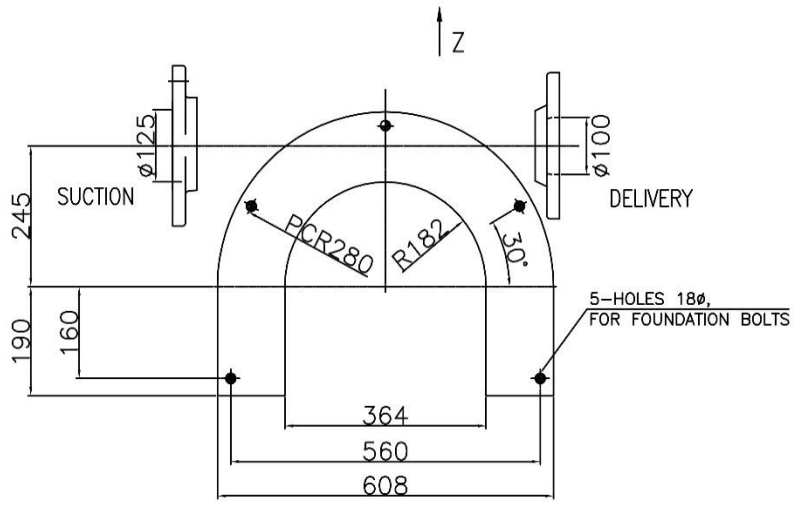
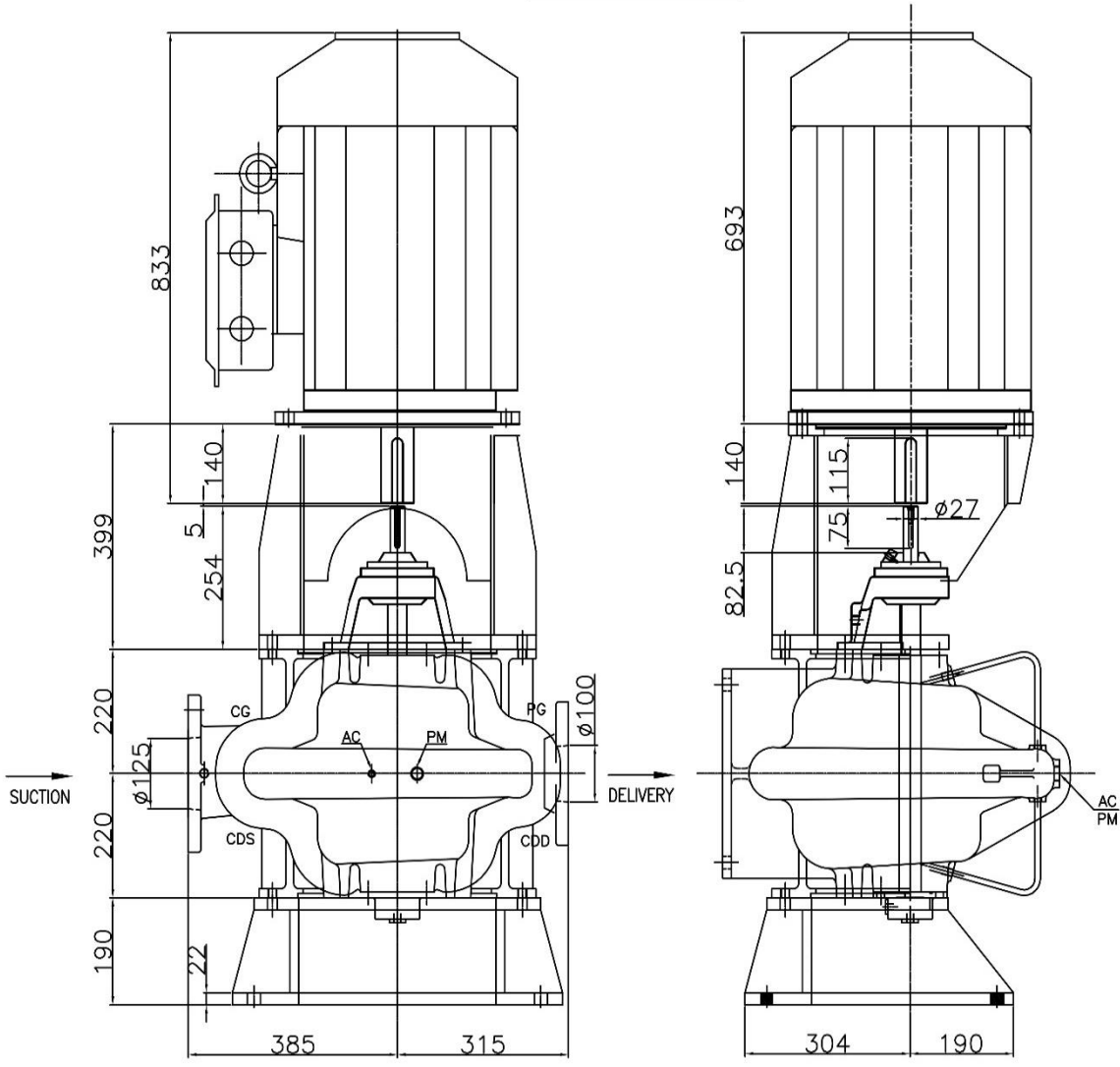
S	PN 16	250	210	22	8, Ø18	—	—										
D	PN 16							220	180	20	8, Ø18	—	—				
REF. NO.	TYPE OF FLANGE	O.D.	P.C.D.	THK MIN	NO. OF HOLES	SIZE OF HOLE	RF	ØRF.	THK OF FLANGE	O.D.	P.C.D.	THK MIN	NO. OF HOLES	SIZE OF HOLE	RF	ØRF.	THK OF FLANGE
SUCTION - Ø125								DELIVERY - Ø100									

PROJECT NAME-		JOB NO.-	
PUMPSENSE			
TITLE-			
GA DRAWING FOR V4HS16 30kw-4P MOTOR FR-200			
DRN	PS	10.10.13	DRG.NO.
CHKD	SR	10.10.13	
APPD	HS	10.10.13	
IDENTIFICATION NO.		REV.	
		0	

13.01.18 PUMP STOOL 'E'

DRG.NO. REV.
0

CW ROTATION
LOOKING FROM DRIVE END



PLAN VIEW DIRECTION -Z
(PUMP STOOL FEET DETAILS)

CONNECTIONS		
ITEM	DESCRIPTION	SIZE(NPT)
CG	COMPOUND GAUGE FOR SUCTION	3/8"
PG	PRESSURE GAUGE FOR DELIVERY	3/8"
AC	AIR COCK	3/8"
PM	PRIMING	1/2"
CDS	CASING DRAIN(SUCTION SIDE)	1/2"
CDD	CASING DRAIN(DELIVERY SIDE)	1/2"

** GAUGE CONNECTIONS DRILLED AND TAPPED ONLY WHEN SPECIFICALLY REQUESTED BY THE CUSTOMER.

REF. NO.	TYPE OF FLANGE	O.D.	P.C.D.	THK.	NO. OF HOLES	SIZE OF HOLE	RF	DRF.	THK. OF FLANGE
S	PN 16	250	210	22	8	Ø18	-	-	-
D	PN 16								
		220	180	20	8	Ø18	-	-	-
		SUCTION - Ø125				DELIVERY - Ø100			

PROJECT NAME-		JOB NO.-	
PUMPSENSE			
TITLE-			
GA DRAWING FOR V4HS16 45Kw-4P MOTOR FR-225			
DRN	PS	10.10.13	DRG. NO.
CHKD	ST	10.10.13	IDENTIFICATION NO.
APPD	HS	10.10.13	REV.
			0

251054

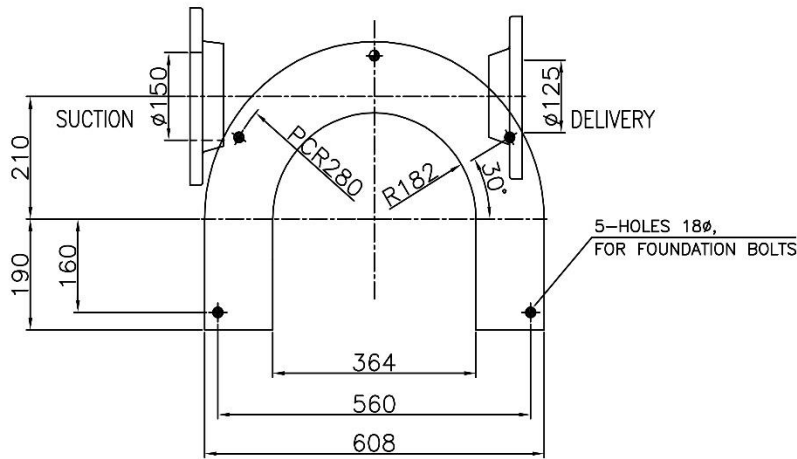
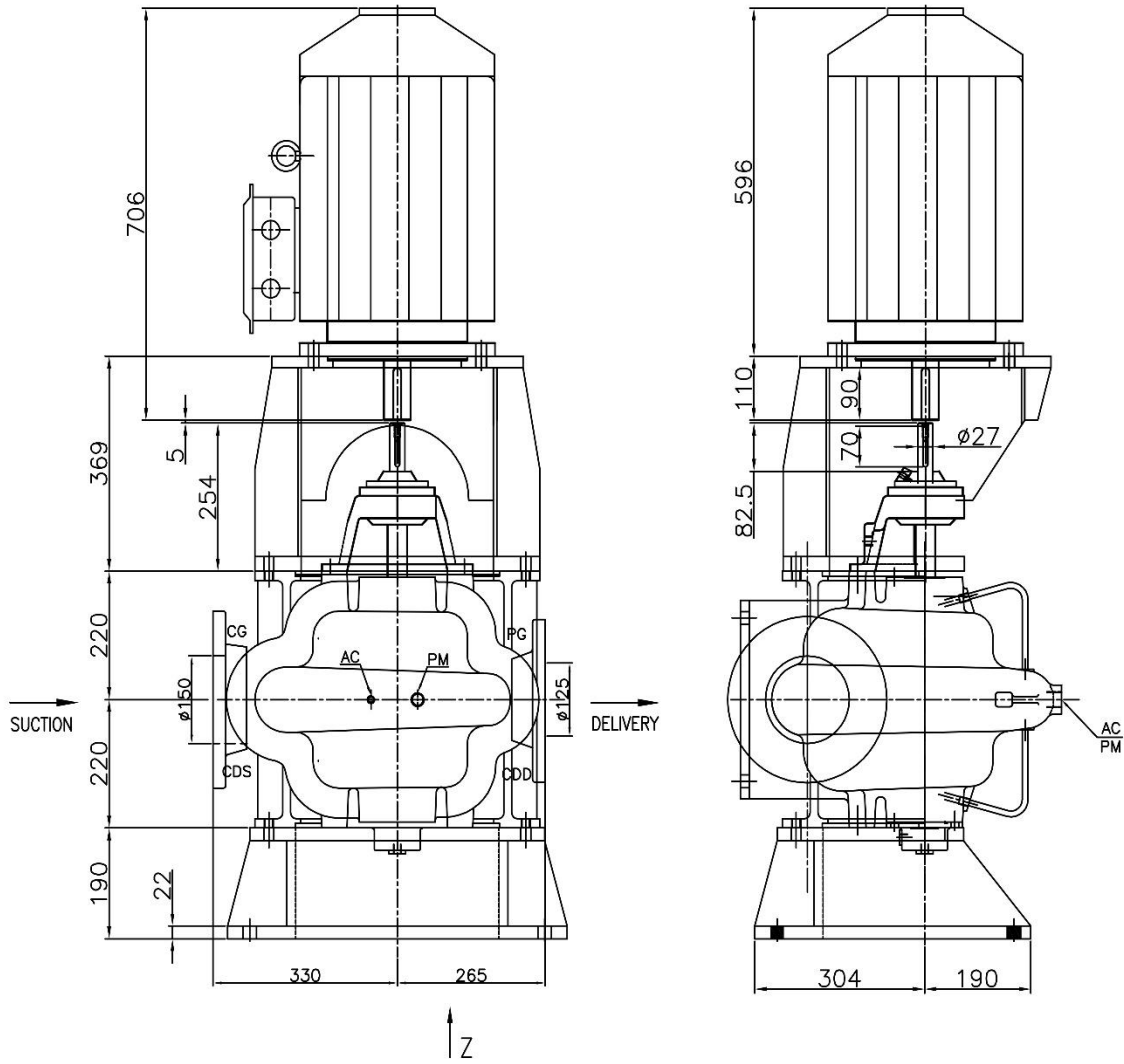
13.01.18 PUMP STOOL 'E'

DRG.NO.

REV.

0

CW ROTATION
LOOKING FROM DRIVE END



PLAN VIEW DIRECTION -Z
(PUMP STOOL FEET DETAILS)

CONNECTIONS		
ITEM	DESCRIPTION	SIZE(NPT)
CG	COMPOUND GAUGE FOR SUCTION	3/8"
PG	PRESSURE GAUGE FOR DELIVERY	3/8"
AC	AIR COCK	3/8"
PM	PRIMING	1/2"
CDS	CASING DRAIN(SUCTION SIDE)	1/2"
CDD	CASING DRAIN(DELIVERY SIDE)	1/2"

** GAUGE CONNECTIONS DRILLED AND TAPPED ONLY
WHEN SPECIFICALLY REQUESTED BY THE CUSTOMER

S	PN 16	285	240	22	8, Ø22																
D	PN 16							250	210	22	8, Ø18										
REF. NO.	TYPE OF FLANGE	O.D.	P.C.D.	THK MIN	NO. OF HOLES	SIZE OF HOLE	RF	ØRF.	THK OF FLANGE	O.D.	P.C.D.	THK MIN	NO. OF HOLES	SIZE OF HOLE	RF	ØRF.	THK OF FLANGE				
		SUCTION - Ø150					DELIVERY - Ø125														

PROJECT NAME-		JOB NO.-	
PUMPSENSE			
TITLE-			
GA DRAWING FOR V5HS12 18.5kw-4P MOTOR FR-18Q			
DRN PS 10.10.13			SCALE 1:1
CHKD ST 10.10.13			REV. 0
APPD HS 10.10.13			
REV.	DESCRIPTION	DRN	CHKD
		DATE	APPD

251054

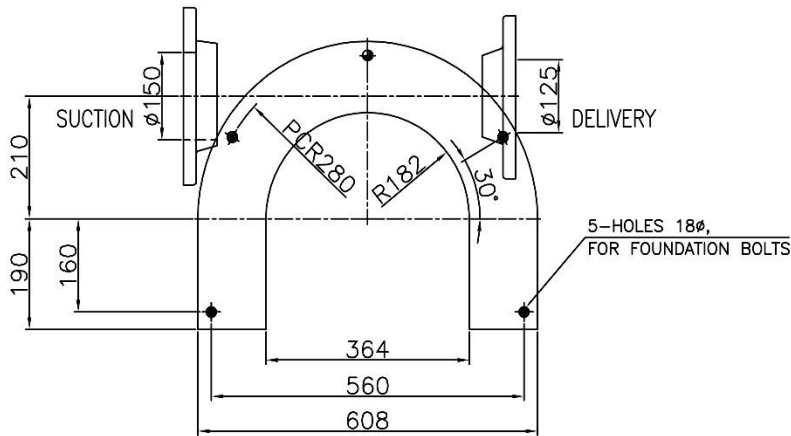
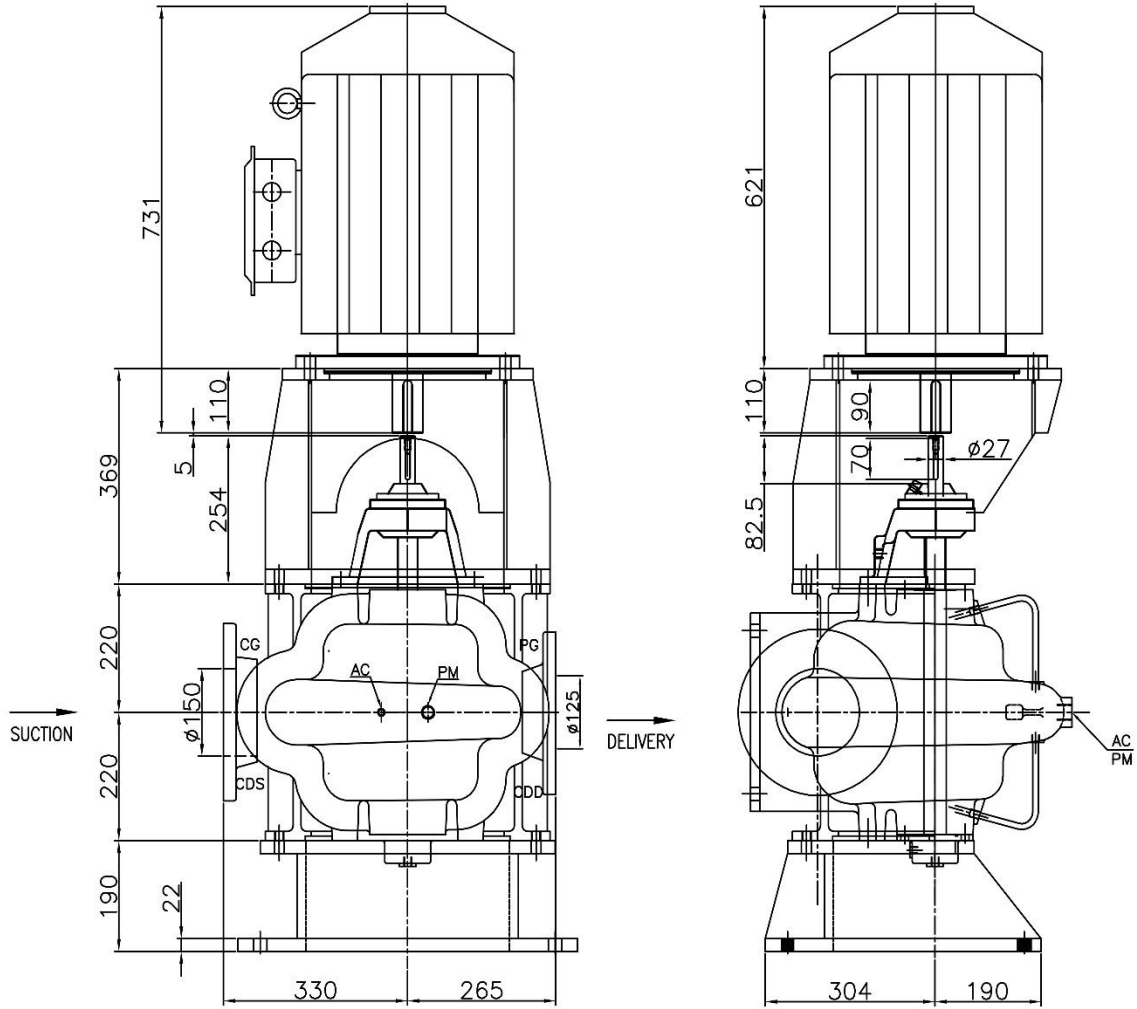
11.01.18 PUMP STOOL 'E'

DRG.NO.

REV.

0

CW ROTATION
LOOKING FROM DRIVE END



PLAN VIEW DIRECTION -Z
(PUMP STOOL FEET DETAILS)

CONNECTIONS		
ITEM	DESCRIPTION	SIZE(NPT)
CG	COMPOUND GAUGE FOR SUCTION	3/8"
PG	PRESSURE GAUGE FOR DELIVERY	3/8"
AC	AIR COCK	3/8"
PM	PRIMING	1/2"
CDS	CASING DRAIN(SUCTION SIDE)	1/2"
CDD	CASING DRAIN(DELIVERY SIDE)	1/2"

** GAUGE CONNECTIONS DRILLED AND TAPPED ONLY
WHEN SPECIFICALLY REQUESTED BY THE CUSTOMER.

REF. NO.	TYPE OF FLANGE	O.D.	P.C.D.	THK	NO. OF HOLES	SIZE OF HOLE	RF	RF THK	O.D.	P.C.D.	THK	NO. OF HOLES	SIZE OF HOLE	RF	RF THK
S	PN 16	285	240	22	8	Ø22	---	---	250	210	22	8	Ø18	---	---
D	PN 16														
		SUCTION - Ø150				DELIVERY - Ø125									

PROJECT NAME-		JOB NO.-	
PUMPSENSE			
TITLE-		SCALE	
GA DRAWING FOR V5HS12 30KW-4P MOTOR FR-200		1:1	
TYPE-1		REV.	
0		0	
DRN	PS	10.10.13	DRG. NO.
CHKD	ST	10.10.13	IDENTIFICATION NO.
APPD	HS	10.10.13	

251054

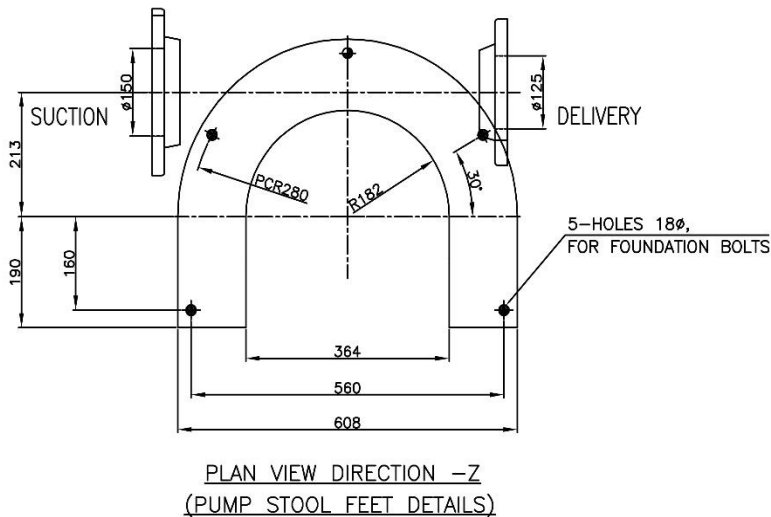
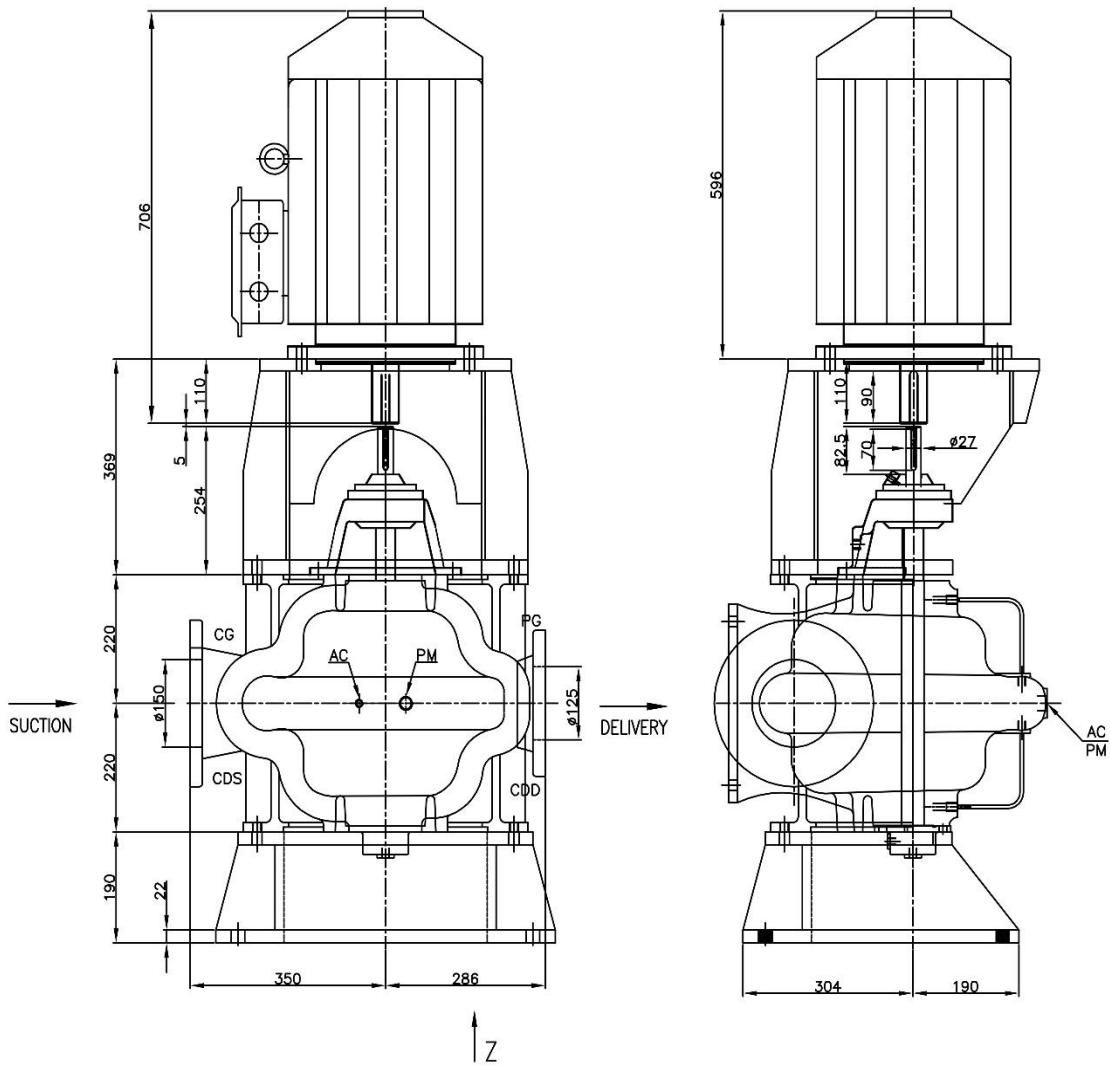
11.01.18 PUMP STOOL 'E'

DRG.NO.

REV.

0

CW ROTATION
LOOKING FROM DRIVE END



PLAN VIEW DIRECTION -Z
(PUMP STOOL FEET DETAILS)

CONNECTIONS		
ITEM	DESCRIPTION	SIZE(NPT)
CG	COMPOUND GAUGE FOR SUCTION	3/8"
PG	PRESSURE GAUGE FOR DELIVERY	3/8"
AC	AIR COCK	3/8"
PM	PRIMING	3/4"
CDS	CASING DRAIN(SUCTION SIDE)	1/2"
CDD	CASING DRAIN(DELIVERY SIDE)	1/2"

** GAUGE CONNECTIONS DRILLED AND TAPPED ONLY
WHEN SPECIFICALLY REQUESTED BY THE CUSTOMER.

S	PN 16	285	240	22	8, Ø22	—	—											
D	PN 16							250	210	22	8, Ø18	—	—					
REF. NO.	TYPE OF FLANGE	O.D.	P.C.D.	THK MIN	NO. OF HOLES	SIZE OF HOLE	RF	ØRF.	THK OF FLANGE	O.D.	P.C.D.	THK MIN	NO. OF HOLES	SIZE OF HOLE	RF	ØRF.	THK OF FLANGE	
		SUCTION - Ø150				DELIVERY - Ø125												

PROJECT NAME-		JOB NO.-	
PUMPSENSE			
TITLE-			
GA DRAWING FOR V5HS13 22Kw-4P MOTOR FR-180			
DRN	PS	10.10.13	DRG.NO.
CHKD	ST	10.10.13	
APPD	HS	10.10.13	
IDENTIFICATION NO.		REV.	
		0	



SCALE

1:1

TYPE-1

251054

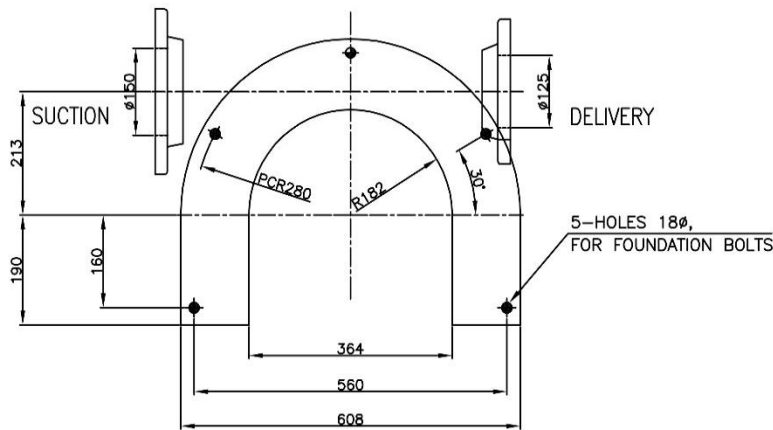
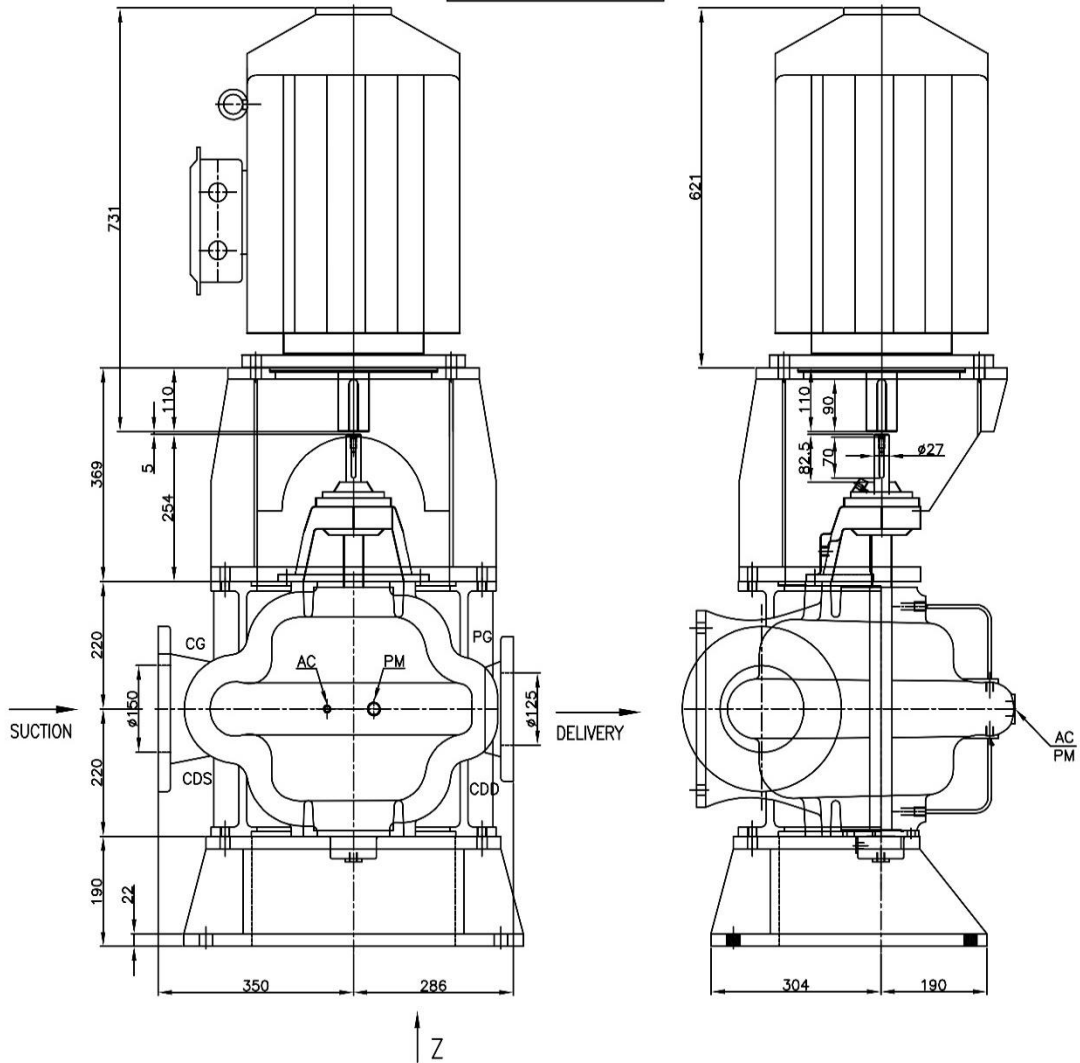
11.01.18 PUMP STOOL 'E'

DRG.NO.

REV.

0

CW ROTATION
LOOKING FROM DRIVE END



PLAN VIEW DIRECTION -Z
(PUMP STOOL FEET DETAILS)

CONNECTIONS		
ITEM	DESCRIPTION	SIZE(NPT)
CG	COMPOUND GAUGE FOR SUCTION	3/8"
PG	PRESSURE GAUGE FOR DELIVERY	3/8"
AC	AIR COCK	3/8"
PM	PRIMING	3/4"
CDS	CASING DRAIN(SUCTION SIDE)	1/2"
CDD	CASING DRAIN(DELIVERY SIDE)	1/2"

** GAUGE CONNECTIONS DRILLED AND TAPPED ONLY
WHEN SPECIFICALLY REQUESTED BY THE CUSTOMER.

REF. NO.	TYPE OF FLANGE	O.D.	P.C.D.	THK MIN	NO. OF HOLES	SIZE OF HOLE	RF	DRF	THK OF FLANGE	O.D.	P.C.D.	THK MIN	NO. OF HOLES	SIZE OF HOLE	RF	DRF	THK OF FLANGE
S	PN 16	285	240	22	8	ø22	—	—	—	250	210	22	8	ø18	—	—	—
D	PN 16																
SUCTION - ø150										DELIVERY - ø125							

PROJECT NAME-		JOB NO.-	
PUMPSENSE			
TITLE-			
GA DRAWING FOR V5HS13 30kw-4P MOTOR FR-200			
DRN	PS	10.10.13	DRG.NO.
CHKD	SF	10.10.13	
APPD	HS	10.10.13	IDENTIFICATION NO.
REV.			
DESCRIPTION		DRN	CHKD
		DATE	APPD
		HS	10.10.13
SCALE			1:1
TYPE-2			REV. 0

251054

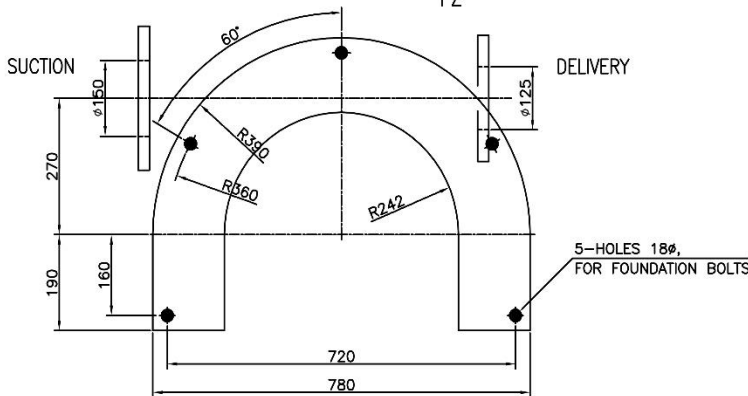
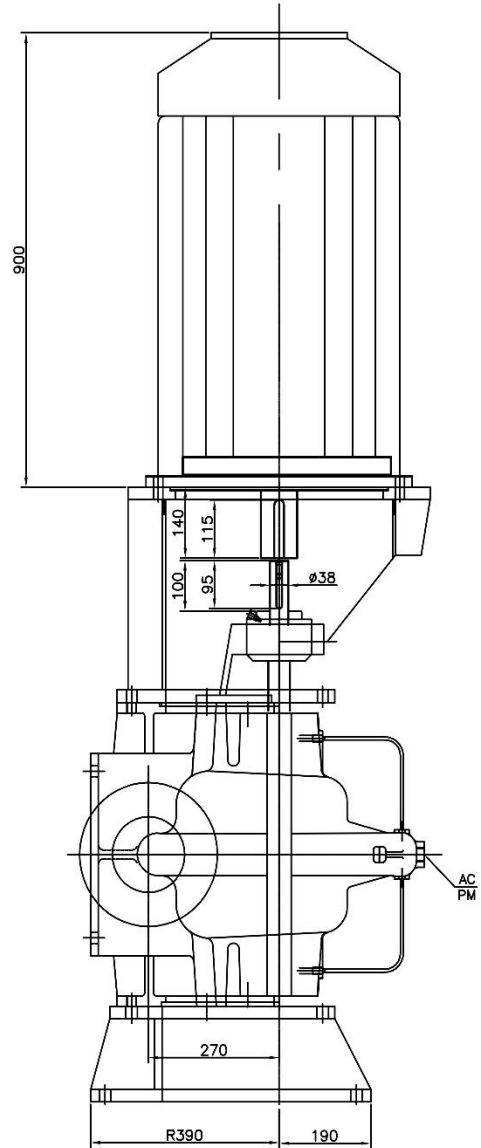
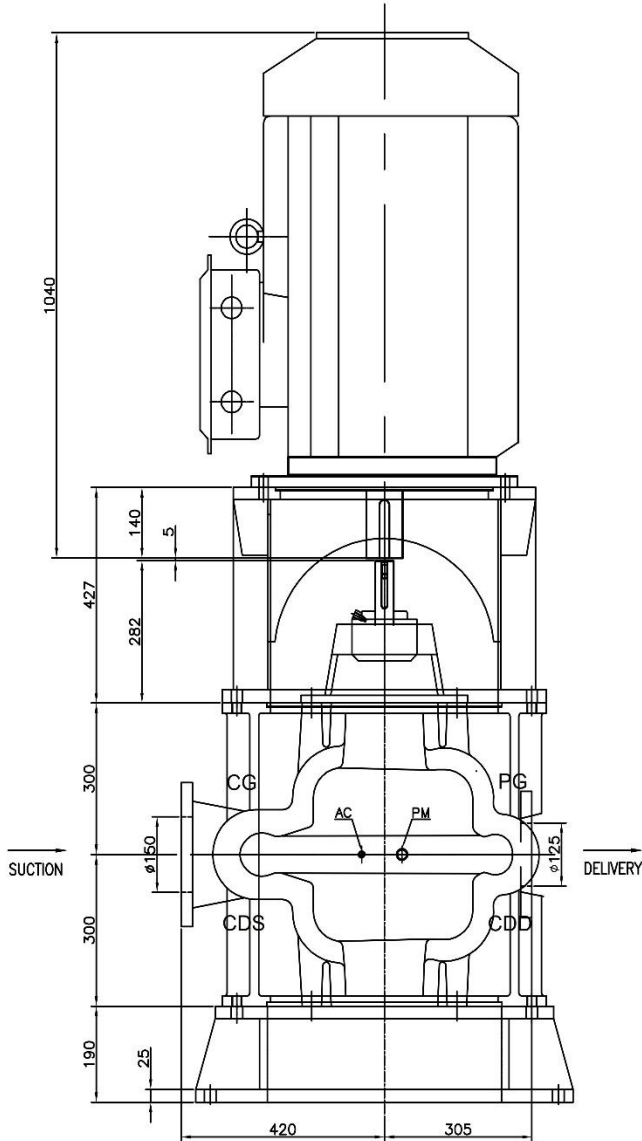
11.01.18 PUMP STOOL 'E'

DRG.NO.

REV.

0

CW ROTATION
LOOKING FROM DRIVE END



PLAN VIEW DIRECTION -Z
(PUMP STOOL FEET DETAILS)

CONNECTIONS		
ITEM	DESCRIPTION	SIZE(NPT)
CG	COMPOUND GAUGE FOR SUCTION	3/8"
PG	PRESSURE GAUGE FOR DELIVERY	3/8"
AC	AIR COCK	3/8"
PM	PRIMING	1/2"
CDS	CASING DRAIN(SUCTION SIDE)	1/2"
CDD	CASING DRAIN(DELIVERY SIDE)	1/2"

** GAUGE CONNECTIONS DRILLED AND TAPPED ONLY WHEN SPECIFICALLY REQUESTED BY THE CUSTOMER.

REF. NO.	TYPE OF FLANGE	O.D.	P.C.D.	THK MIN	NO. OF HOLES	SIZE OF HOLE	RF	RF THK OF FLANGE	O.D.	P.C.D.	THK MIN	NO. OF HOLES	SIZE OF HOLE	RF	RF THK OF FLANGE
S	PN 16	285	240	22	8	Ø22	—	—	250	210	22	8	Ø18	—	—
D	PN 16														
SUCTION - Ø150								DELIVERY - Ø125							

PROJECT NAME-				JOB NO.-			
PUMPSENSE							
TITLE- GA DRAWING FOR V5HS17 75Kw & 90KW-4P MOTOR FR-280							
DRN PS 10.10.13						DRG.NO. V1150A10Y	
CHKD ST 10.10.13						IDENTIFICATION NO. 1152880	
APPD HS 10.10.13						REV. 0	

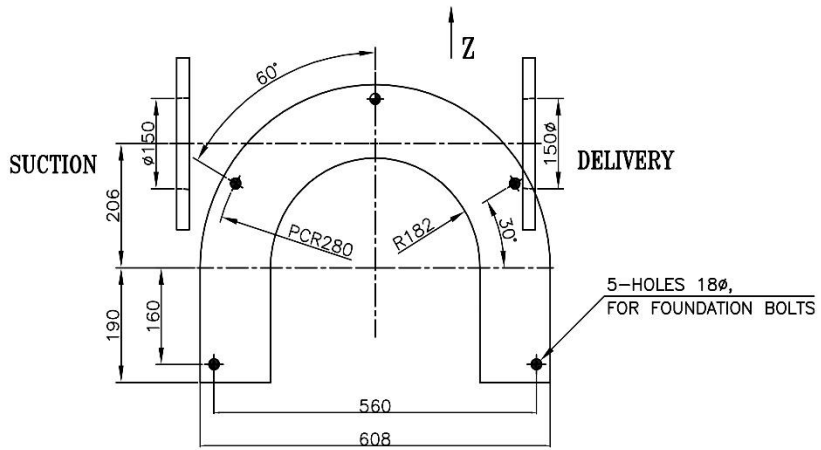
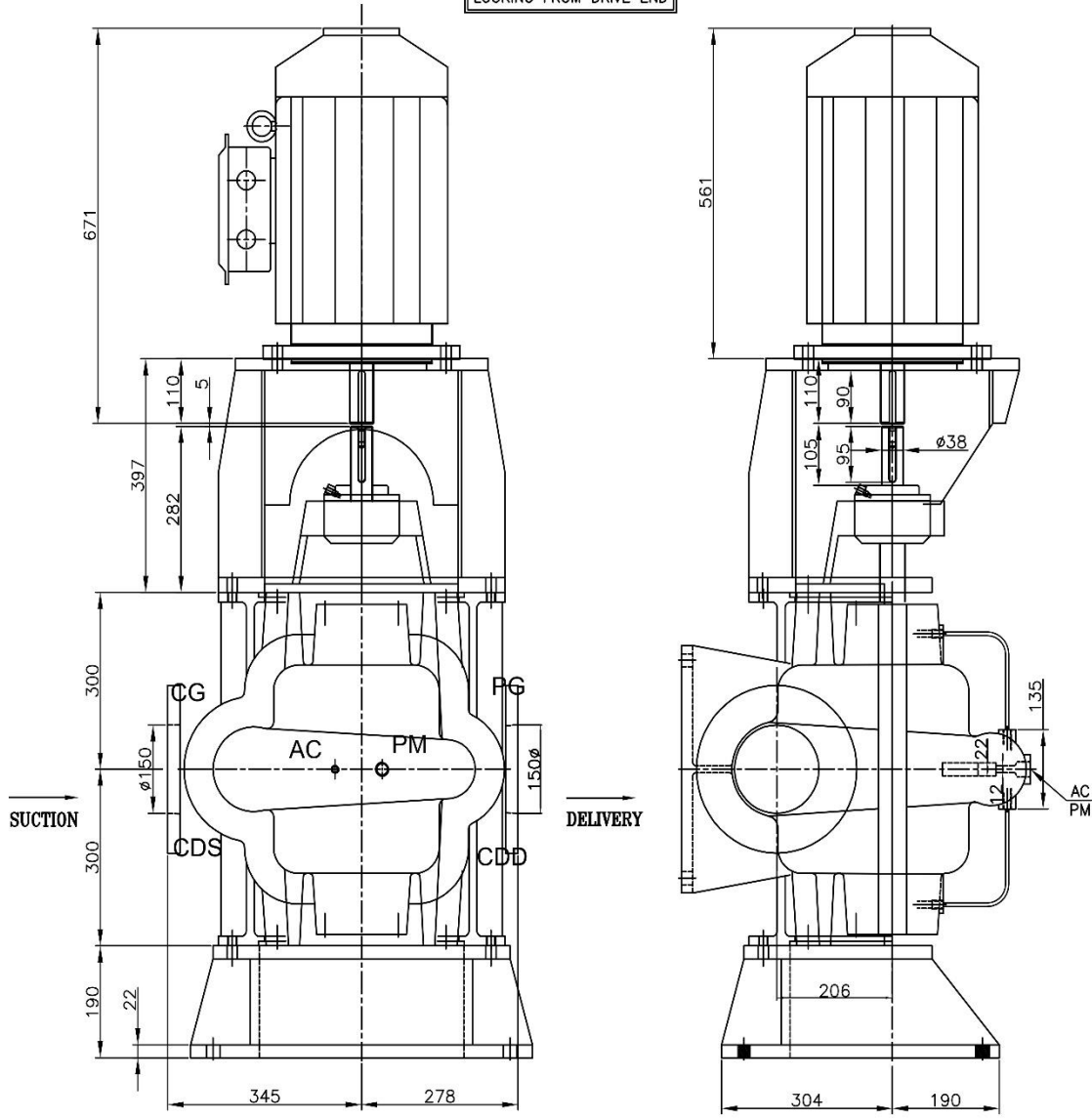
12.01.18 PUMP STOOL 'X'

DRG.NO.

REV.

0

CW ROTATION
LOOKING FROM DRIVE END



PLAN VIEW DIRECTION -Z
(PUMP STOOL FEET DETAILS)

CONNECTIONS		
ITEM	DESCRIPTION	SIZE(NPT)
CG	COMPOUND GAUGE FOR SUCTION	3/8"
PG	PRESSURE GAUGE FOR DELIVERY	3/8"
AC	AIR COCK	3/8"
PM	PRIMING	3/4"
CDS	CASING DRAIN(SUCTION SIDE)	3/4"
CDD	CASING DRAIN(DELIVERY SIDE)	3/4"

** GAUGE CONNECTIONS DRILLED AND TAPPED ONLY WHEN SPECIFICALLY REQUESTED BY THE CUSTOMER.

S	PN 16	285	240	22	8, Ø22	—	—								
D	PN 16							285	240	22	8, Ø18	—	—		
REF. NO.	TYPE OF FLANGE	O.D.	P.C.D.	THK. MIN	NO. OF HOLES	SIZE OF HOLE	RF	REF. THK. OF FLANGE	O.D.	P.C.D.	THK. MIN	NO. OF HOLES	SIZE OF HOLE	RF	REF. THK. OF FLANGE
SUCTION - Ø150								DELIVERY - Ø150							

PROJECT NAME-				JOB NO.-			
PUMPSENSE							
TITLE-							
GA DRAWING FOR V6HS10 15KV-4P MOTOR FR-160							
DRN PS 10.10.13				DRG.NO.		IDENTIFICATION NO.	
CHKD ST 10.10.13				APPD HS 10.10.13		REV. 0	
SCALE 1:1		TYPE-1					

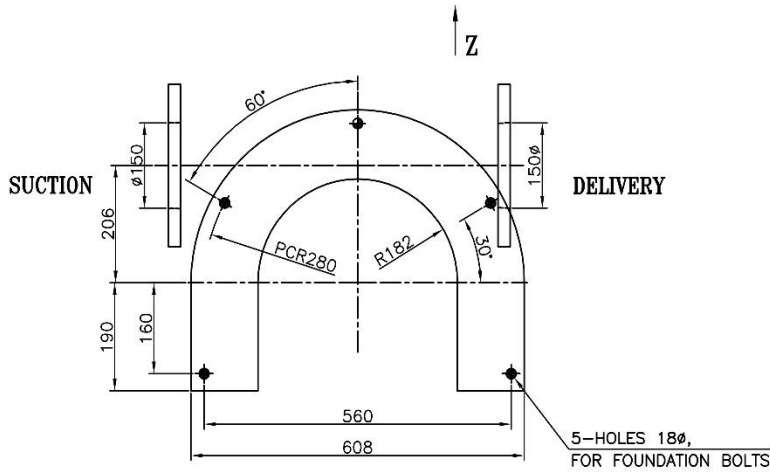
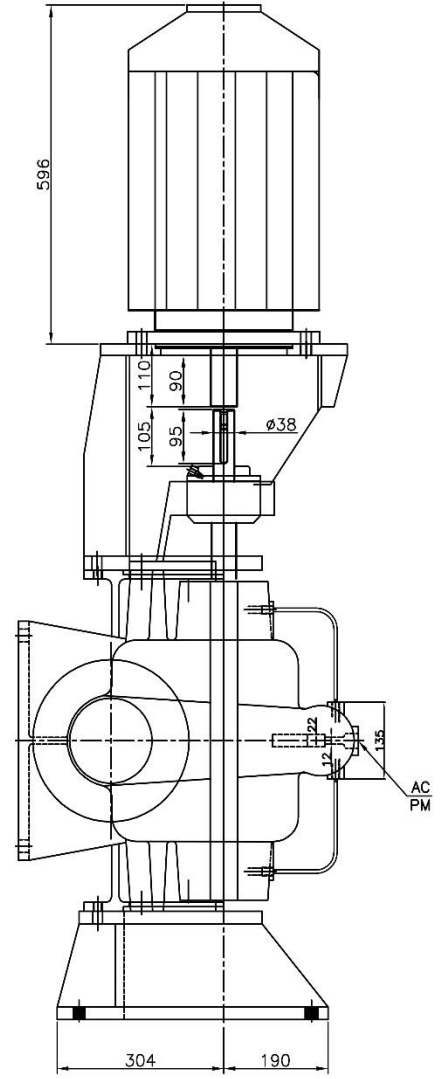
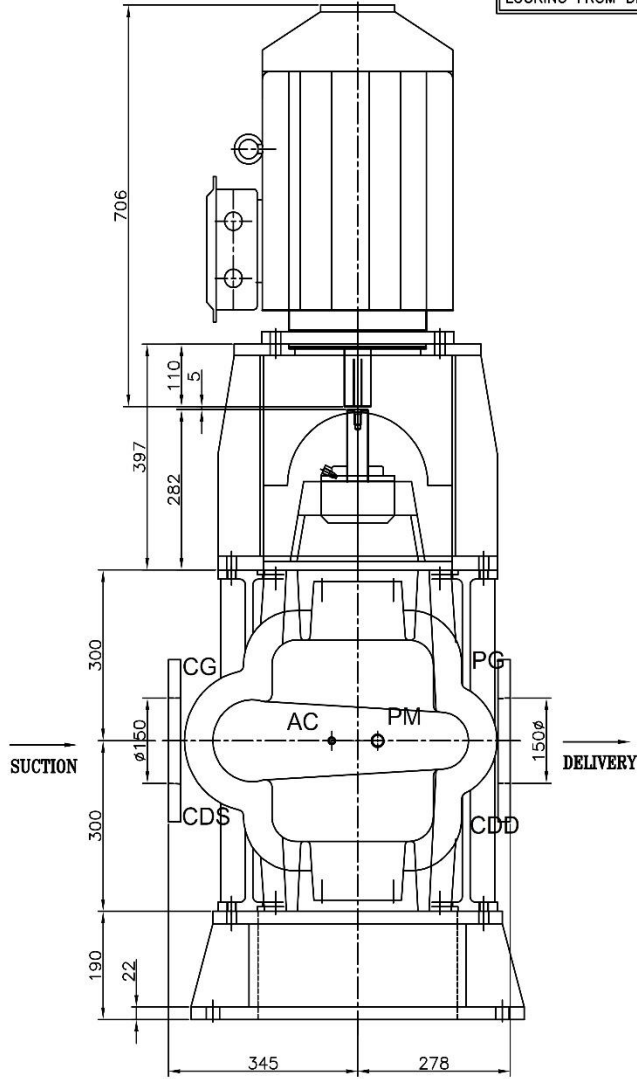
18.01.18 PUMP STOOL 'E'

DRG.NO.

REV.

0

CW ROTATION
LOOKING FROM DRIVE END



PLAN VIEW DIRECTION -Z
(PUMP STOOL FEET DETAILS)

CONNECTIONS		
ITEM	DESCRIPTION	SIZE(NPT)
CG	COMPOUND GAUGE FOR SUCTION	3/8"
PG	PRESSURE GAUGE FOR DELIVERY	3/8"
AC	AIR COCK	3/8"
PM	PRIMING	3/4"
CDS	CASING DRAIN(SUCTION SIDE)	3/4"
CDD	CASING DRAIN(DELIVERY SIDE)	3/4"

** GAUGE CONNECTIONS DRILLED AND TAPPED ONLY WHEN SPECIFICALLY REQUESTED BY THE CUSTOMER.

REF. NO.	TYPE OF FLANGE	O.D.	P.C.D.	THK MIN OF HOLE	NO. OF HOLE	SIZE OF HOLE	RF	RF THK OF FLANGE	O.D.	P.C.D.	THK MIN OF HOLE	NO. OF HOLE	SIZE OF HOLE	RF	RF THK OF FLANGE
S	PN 16	285	240	22	8	Ø22	—	—	285	240	22	8	Ø18	—	—
D	PN 16														
SUCTION - Ø150								DELIVERY - Ø150							

PROJECT NAME-		JOB NO.-	
PUMPSENSE			
TITLE- GA DRAWING FOR V8HS10 18.5KW-4P MOTOR FR-180			
DRN	PS	10.10.13	DRG.NO.
CHKD	SF	10.10.13	IDENTIFICATION NO.
APPD	HS	10.10.13	REV.
			0

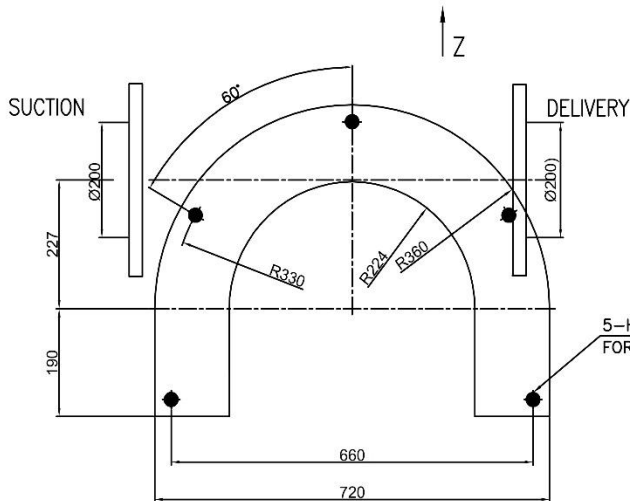
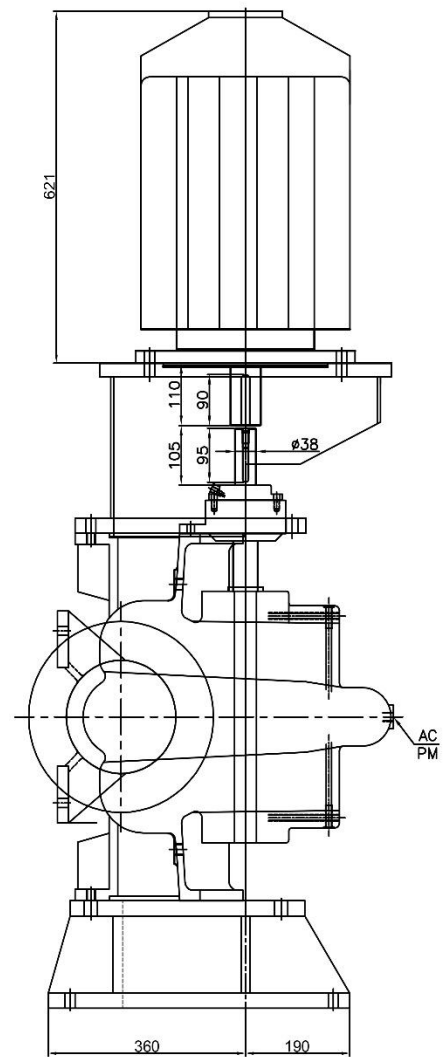
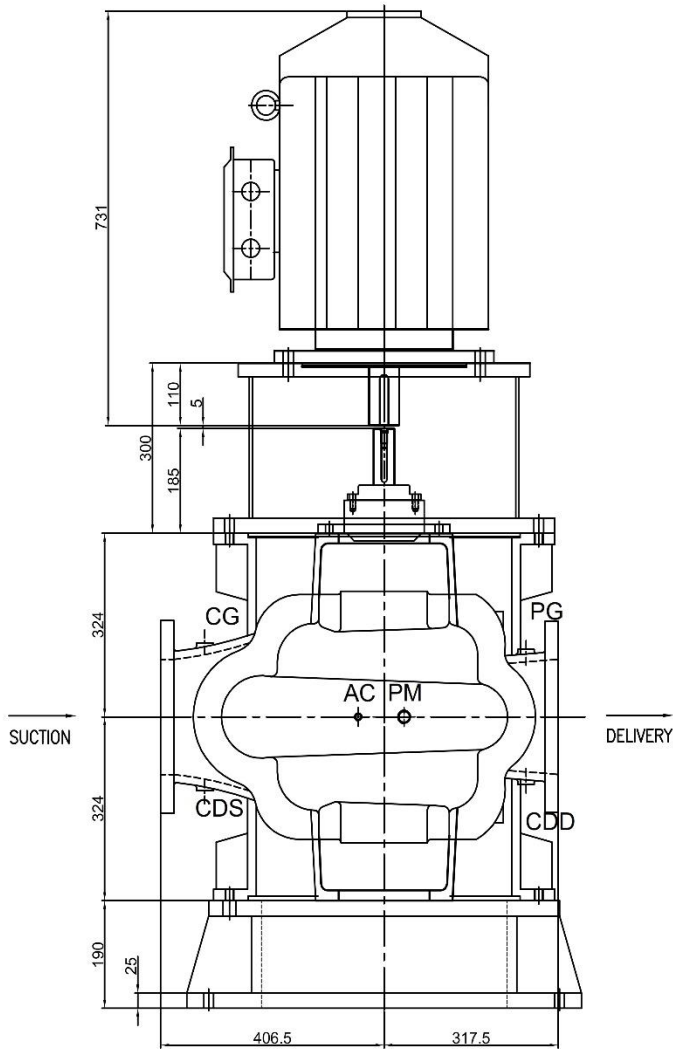
18.01.18 PUMP STOOL 'E'

DRG.NO.

REV.

0

CW ROTATION
LOOKING FROM DRIVE END



PLAN VIEW DIRECTION -Z
(PUMP STOOL FEET DETAILS)

CONNECTIONS		
ITEM	DESCRIPTION	SIZE(NPT)
CG	COMPOUND GAUGE FOR SUCTION	3/8"
PG	PRESSURE GAUGE FOR DELIVERY	3/8"
AC	AIR COCK	3/8"
PM	PRIMING	1/2"
CDS	CASING DRAIN(SUCTION SIDE)	3/4"
CDD	CASING DRAIN(DELIVERY SIDE)	3/4"

** GAUGE CONNECTIONS DRILLED AND TAPPED ONLY WHEN SPECIFICALLY REQUESTED BY THE CUSTOMER.

S	PN 16	340	295	24	12, #22	—	—	—	—	—	—	—	—	—	—	—	—	—	—	—
D	PN 16	340	295	24	12, #22	—	—	—	—	—	—	—	—	—	—	—	—	—	—	—
REF. NO.	TYPE OF FLANGE	O.D.	P.C.D.	THK MIN	NO. OF HOLES	SIZE OF HOLE	RF	RF.THK	RF FLANGE	O.D.	P.C.D.	THK MIN	NO. OF HOLES	SIZE OF HOLE	RF	RF.THK	RF FLANGE			
		SUCTION - Ø200						DELIVERY - Ø200												

PROJECT NAME-		JOB NO.-	
PUMPSENSE			
TITLE-			 SCALE 1:1
GA DRAWING FOR V8HS12 30KW-4P MOTOR FR-200			
DRN	PS	10.10.13	TYPE-1 REV. 0
CHKD	ST	10.10.13	
APPD	HS	10.10.13	

18.01.18 PUMP STOOL 'E'