

NOTE- PERFORMANCE AS PER ISO 9906 GRADE-2B

PRELIMINARY CURVE OF 4HF10H @3550 R.P.M



HF RANGE

MODEL 4HF10H
SIZE 150x100-252



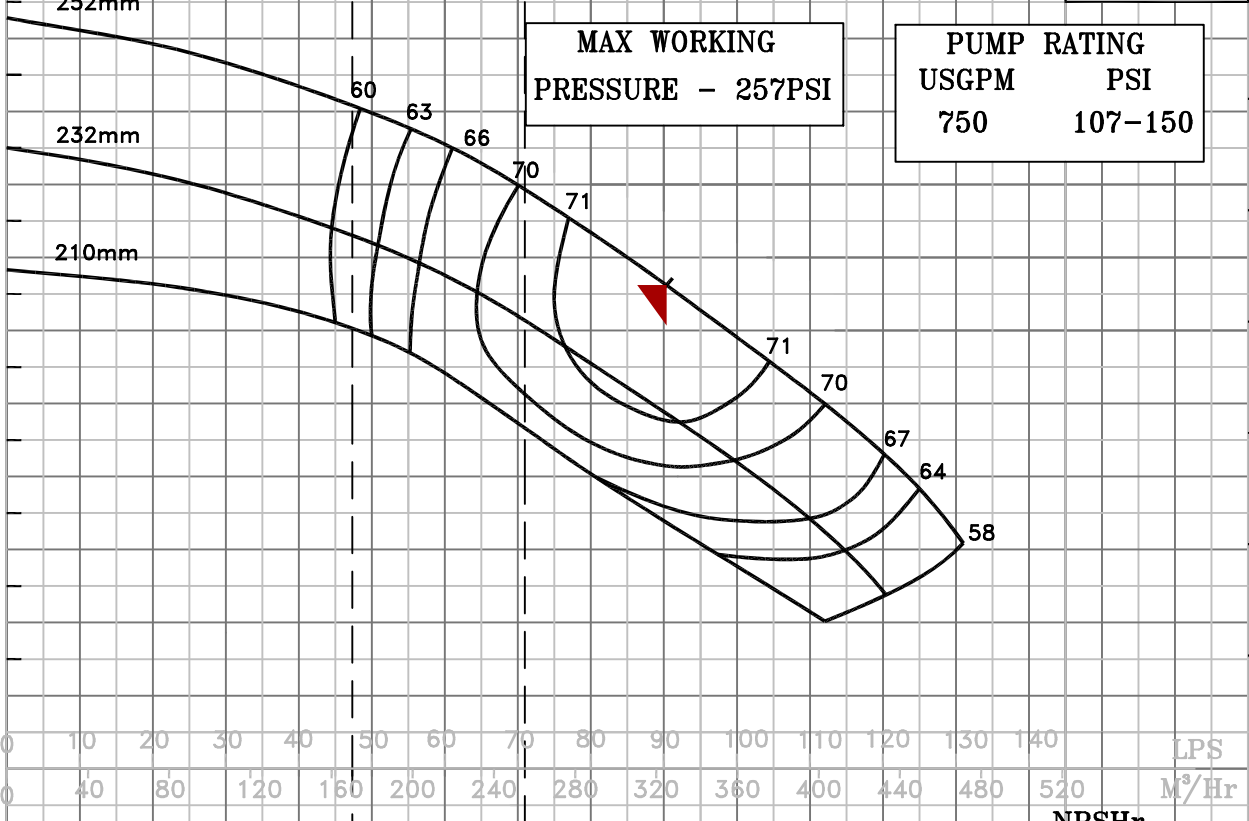
Underwriters Laboratories

TYPE-AXIALLY SPLIT CASE SINGLE STAGE
SPEED 3550 rpm

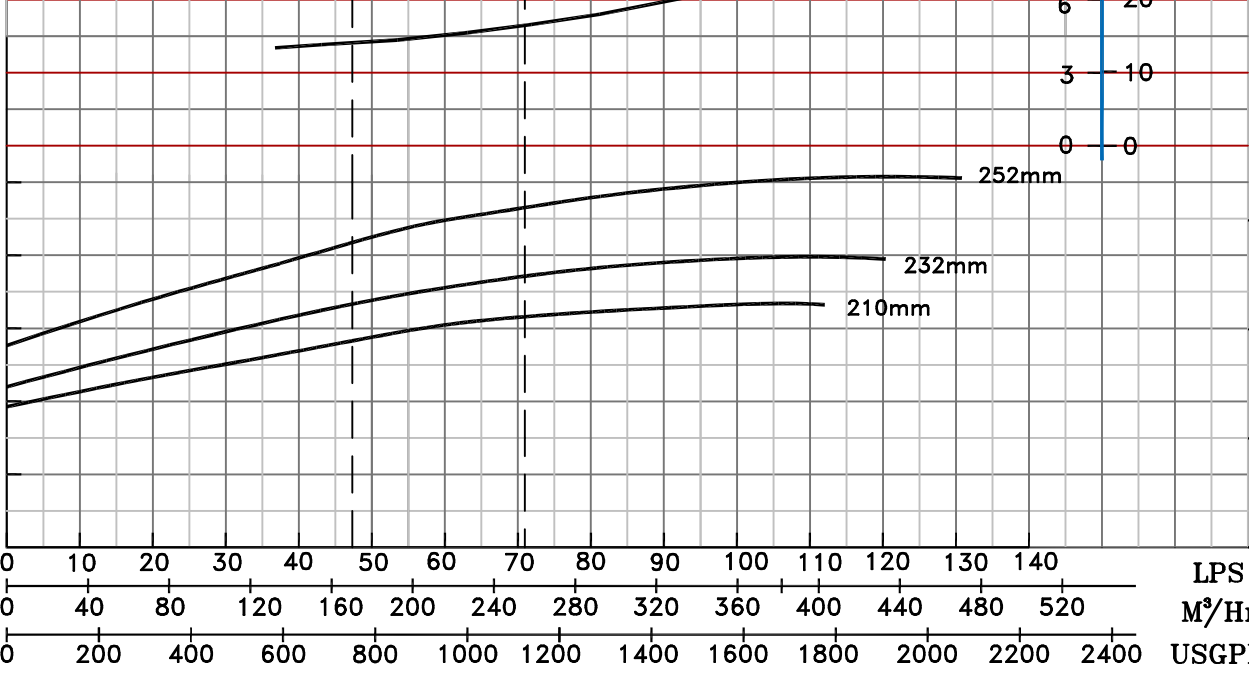
RATED CAPACITY - 750 USGPM

PUMP PERFORMANCE CHARACTERISTICS COMPUTED BASED ON CLEAN COLD WATER S.G 1.0

Curve No.	8038G_UL4	Max. Impeller Dia.	252mm
Impeller No.	838G030PJ	Min. Impeller Dia.	210mm
		Shaft	Gr-1.5F



B.E.P Flow	325 M ³ /Hr.	NPSHr (M)	9
B.E.P Head	81.2 M	NPSHr (FT)	30
Speed	3550 R.P.M		
Ns	2036 US UNITS		



3550 RPM