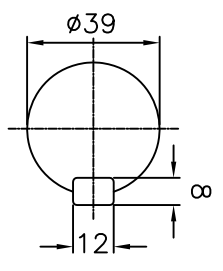
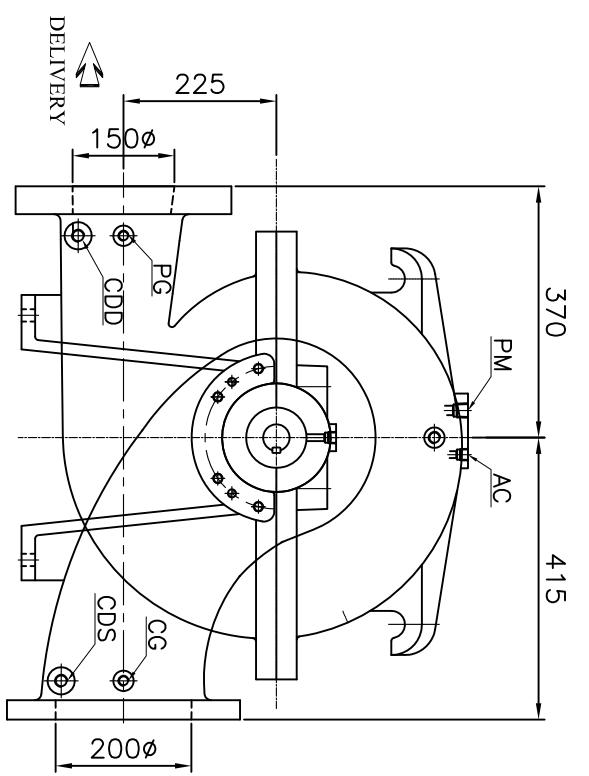
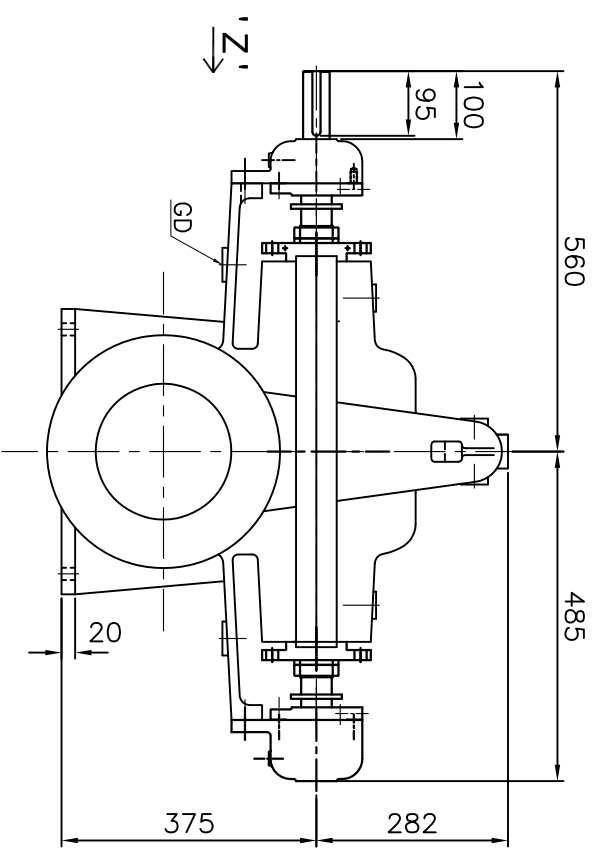


PUMP MODEL - 6HF14K

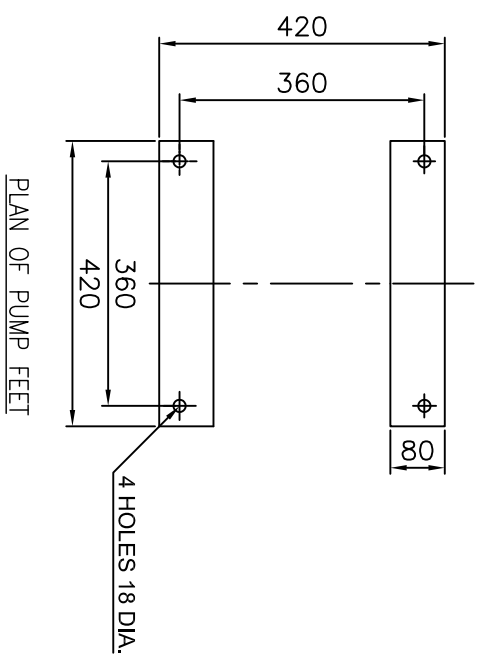
GENERAL ARRANGEMENT DRAWING FOR SINGLE STAGE AXIALLY SPLIT CASE PUMP MODEL - 6HF14K



CLOCK-WISE ROTATION  
LOOKING FROM DRIVE END

SCALE - 5:1  
SHAFT DETAIL AT  
COUPLING END

VIEW IN DIRECTION OF ' Z ' ,



PLAN OF PUMP FEET

APPROX. NET WEIGHT - 407kg.  
ALL DIMENSIONS ARE IN MM.

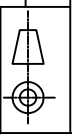


| ITEM | DESCRIPTION                 | SIZE(NPT) |
|------|-----------------------------|-----------|
| GD   | GLAND DRAIN                 | 1/2"      |
| CG   | COMPOUND GAUGE FOR SUCTION  | 3/8"      |
| PG   | PRESSURE GAUGE FOR DELIVERY | 3/8"      |
| AC   | AIR COCK                    | 3/8"      |
| PM   | PRIMING                     | 1/2"      |
| CDS  | CASING DRAIN(SUCTION SIDE)  | 1/2"      |
| CDD  | CASING DRAIN(DELIVERY SIDE) | 1/2"      |

| S        | ANSI 125# FF    | 13-1/2"             | 11-3/4"      | 1-1/8" | 8, 67/8" | ---                  | --- | 12-1/2" | 10-5/8" | 1-7/16" | 12, 67/8" | --- | --- |
|----------|-----------------|---------------------|--------------|--------|----------|----------------------|-----|---------|---------|---------|-----------|-----|-----|
|          |                 | D                   | ANSI 250# FF | O.D.   | P.C.D.   |                      |     |         | THK     | NO SIZE | RF Ø      |     |     |
| REF. NO. | TYPE OF FLANGE. | SUCTION ~ 200Ø (8") |              |        |          | DELIVERY ~ 150Ø (6") |     |         |         |         |           |     |     |

| REV | DESCRIPTION | DRN | CHKD | DATE | SCALE |
|-----|-------------|-----|------|------|-------|
|     |             |     |      |      | 1:1   |

PUMPSENSE



TITLE:  
GA DRAWING FOR 6HF14K  
DRN AD 05.08.17 DRG. NO.  
CHKD ST 05.08.17 PSF/6HF14K/GA-01  
APPD HS 05.08.17

REV 0