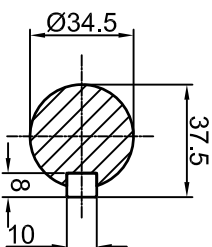
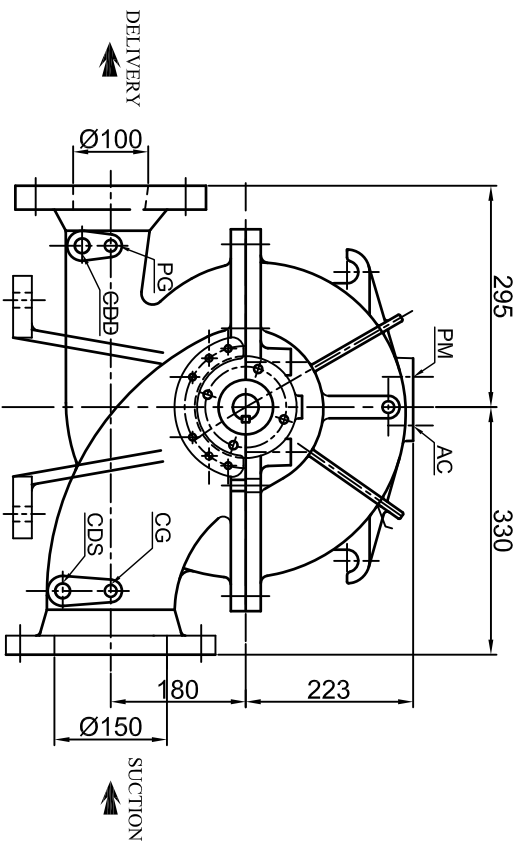
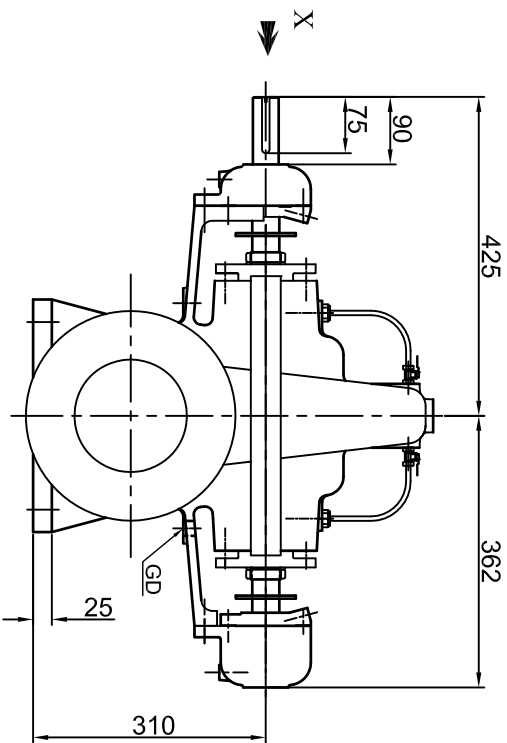
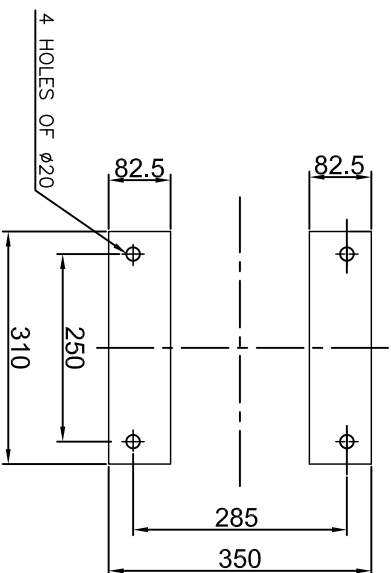


CLOCK-WISE ROTATION  
LOOKING FROM DRIVE END



SCALE - 4:1  
SHAFT DETAIL AT  
COUPLING END

VIEW IN DIRECTION OF 'X'



PLAN OF PUMP FEET

ALL DIMENSIONS ARE IN MM.  
APPROX. NETT WEIGHT - 224kg.



CONNECTIONS		ITEM	DESCRIPTION	SIZE (NPT)
		GD	GLAND DRAIN	1/2"
		CG	COMP. GAUGE FOR SUCTION	3/8"
		PG	PR. GAUGE FOR DELIVERY	3/8"
		AC	AIR COCK	3/8"
		PM	PRIMING	1/2"
		CDS	CASING DRAIN (SUCT.SIDE)	1/2"
		CDD	CASING DRAIN (DELY.SIDE)	1/2"

FLANGE TABLE

S	ANSI 125#FF	11"	9-1/2"	1"	8,	Ø7/8"	—	—	10"	7-7/8"	1-1/4"	8,	Ø7/8"	—	—				
D	ANSI 250#FF																		
REF. NO.	TYPE OF FLANGE	O.D.	P.C.D.	THK MIN	NO. OF HOLES	SIZE OF HOLE	RF	Ø	RF	THK	O.D.	P.C.D.	THK MIN	NO. OF HOLES	SIZE OF HOLE	RF	Ø	RF	THK
SUCTION - 150(6")										DELIVERY - 100(4")									

REV	DESCRIPTION	DRN	CHKD	APPD	HS	TITLE-	SCALE
						PUMPSENSE GA DRAWING FOR 4HF12L	1:1
						DRG. NO.	REV
						PSF/4HF12L/GA-01/0	0