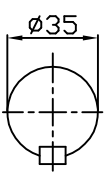
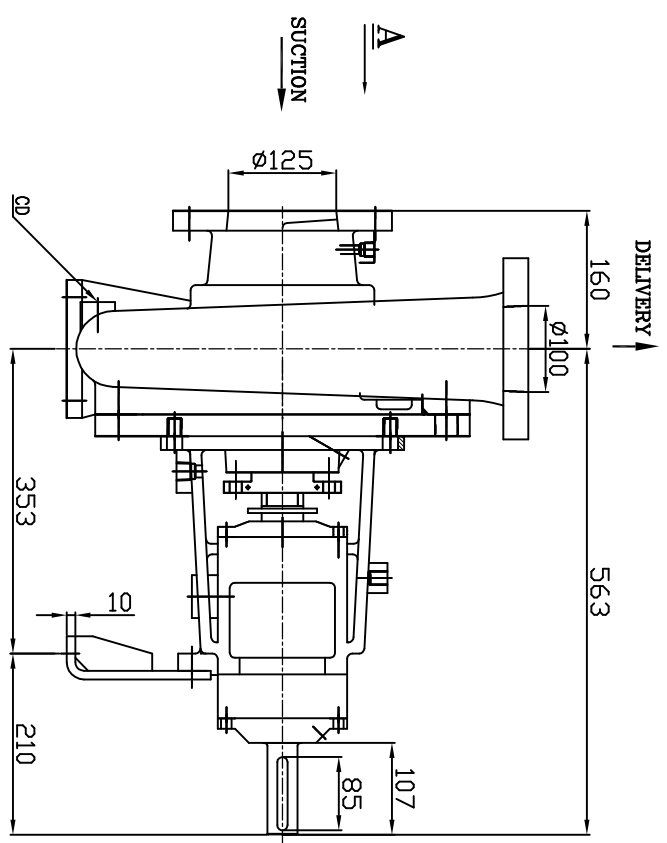
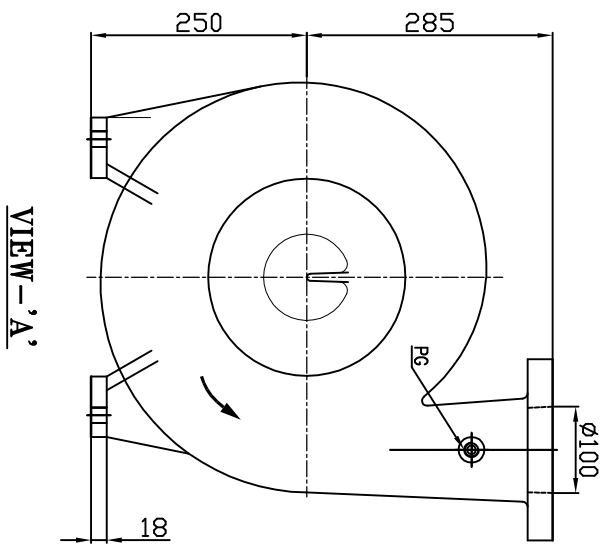
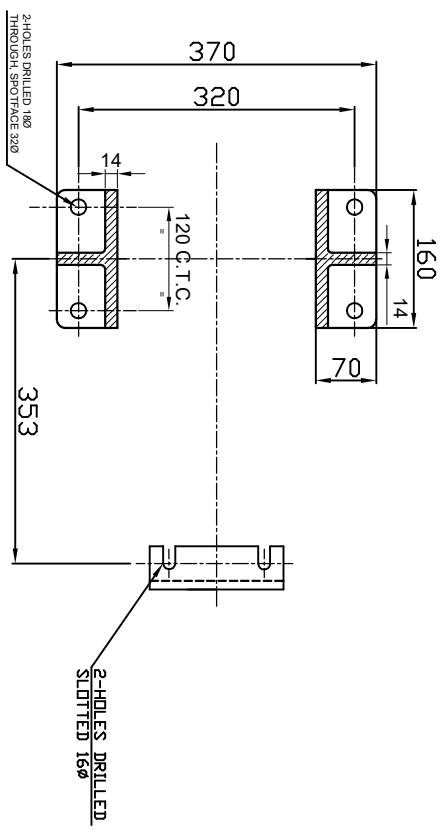


GENERAL ARRANGEMENT DRAWING FOR END SUCTION BACK PULL OUT TYPE PUMP EF 100-310

CLOCK WISE ROTATION
LOOKING FROM DRIVE END



SCALE: 3:1
SHAFT DETAILS
AT COUPLING END



FOOT PRINT

PUMP WEIGHT 190K(APPROX)
ALL DIMENSIONS ARE IN MM.

ITEM	DESCRIPTION	SIZE(MM)
PG/CG	PRESSURE GAUGE FOR DELIVERY	3/8"
AC	AIR COCK	3/8"
CD	OILING DRAIN	1/2"

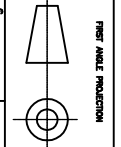
CONNECTIONS

** GAUGE CONNECTIONS DRILLED AND TAPPED ONLY WHEN SPECIFICALLY REQUESTED BY THE CUSTOMER.



S	ANSI#125FF	10"	8-1/2"	15/16"	8, Ø7/8"	SUCTION - Ø125		DELIVERY - Ø100					
						THK MIN	NO. OF HOLE	THK MIN	NO. OF HOLE				
D	ANSI#250FF					10"		7-7/8"	1-1/4"				
REF. NO.	TYPE OF FLANGE	O.D.	P.C.D.	THK MIN	NO. OF HOLE	REF. THK	REF. FLANGE	O.D.	P.C.D.	THK MIN	NO. OF HOLE	REF. THK	REF. FLANGE

THIS DRAWING MUST NOT BE COPIED WITHOUT WRITTEN PERMISSION AND THE CONTENTS THEREOF MUST NOT BE REPRODUCED IN ANY MANNER WITHOUT THE WRITTEN PERMISSION OF THE DRAWING CONTRACTOR.



REV.	NO.	DESCRIPTION	DATE	BY	CHECKED

TITLE: PUMP-SENSE
GA DRAWING FOR EF 100-310

SCALE: DRAWING NO. 111
DATE: 11/11/2003/04-01