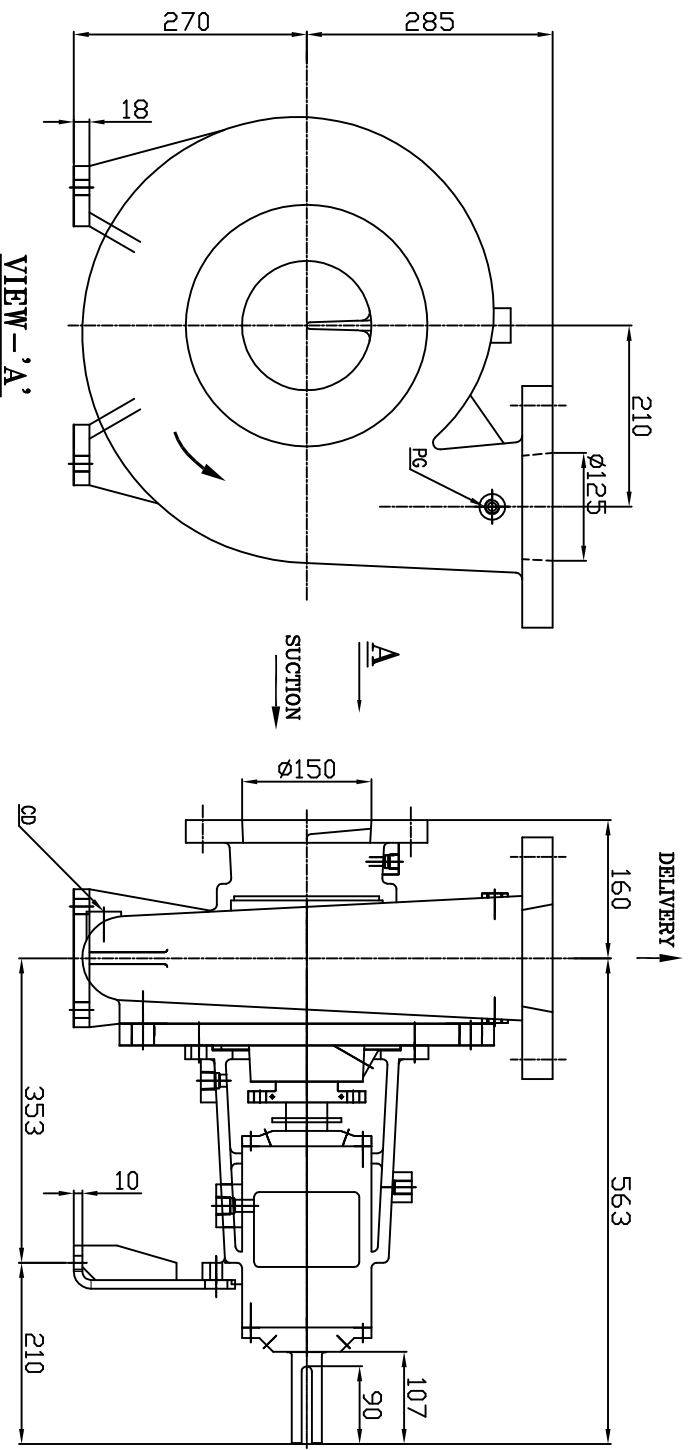
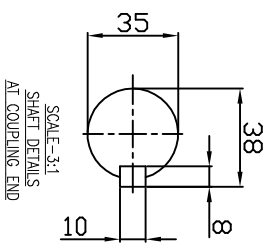


GENERAL ARRANGEMENT DRAWING FOR END SUCTION BACK PULL OUT TYPE PUMP EF 125-310

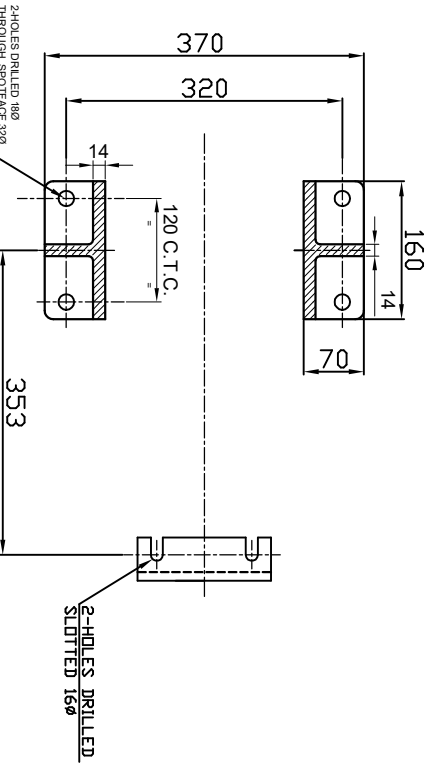


CLOCK WISE ROTATION  
LOOKING FROM DRIVE END



VIEW-'A'

- NOTES:
1. AN ARROW MARK WILL BE ON THE CASING TO INDICATE DIRECTION OF ROTATION.
  2. COMPOUND GAUGE, DISCHARGE GAUGE, CIRCULATION RELIEF VALVE (FOR MOTOR ONLY) WILL BE SUPPLIED WITH UL LISTED PUMP



FOOT PRINT

S	ANSI#125FF	11" 9-1/2"	1"	8, Ø7/8"	—	—	11"	9-1/4"	1-3/8"	8, Ø7/8"	—	—
D	ANSI#250FF											
REF. TYPE OF FLANGE		O.D.	P.C.D.	THK	NO. OF HOLES	RF THK	O.D.	P.C.D.	THK	NO. OF HOLES	RF THK	
		SUCTION - Ø150				DELIVERY - Ø125						

2 HOLES PULLED 160 THROUGH SPOTFACE 320

2-HOLES DRILLED SLOTTED 16Ø

PUMP WEIGHT 190K(Aprox)  
ALL DIMENSIONS ARE IN MM.

ITEM	DESCRIPTION	SIZE(M/F)
PG/OS	PRESSURE GAUGE FOR DELIVERY	3/8"
AC	AIR COCK	3/8"
CD	CASING DRAIN	1/2"

\* ALL CONNECTIONS DRILLED AND TAPPED ONLY WHEN SPECIALLY REQUESTED BY THE CUSTOMER



Underwriters Laboratories

THIS PUMP MUST NOT BE COMPILED WITHOUT WRITTEN PERMISSION AND THE CONDITIONS THEREOF. THE PUMP MUST BE USED IN ACCORDANCE WITH THE INSTRUCTIONS AND ANY UNAUTHORIZED MODIFICATIONS WILL BE PROSECUTED.

REF. MODEL PRODUCTION

TITLE: PUMP/SENSE

GA DRAWING FOR EF 125-310

DATE: 10/12/11 SCALE: 1:1 QUANTITY: 10000/100

DESIGNER: 111 CHECKER: 10000/100