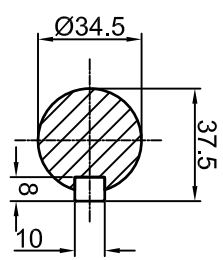
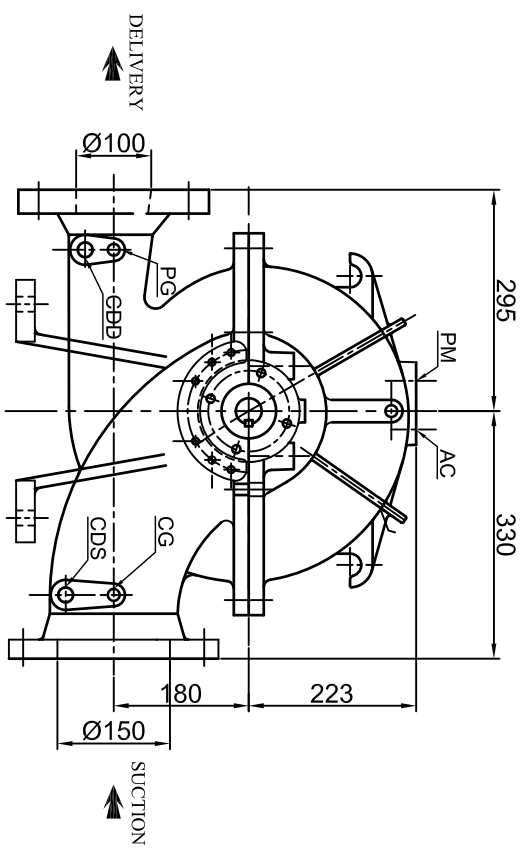
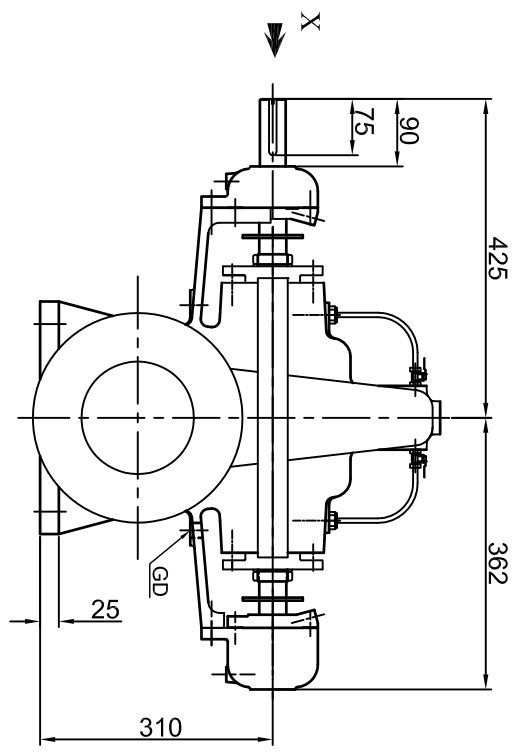
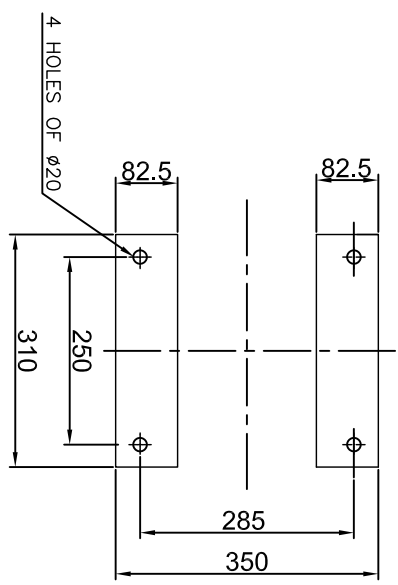


CLOCK-WISE ROTATION
LOOKING FROM DRIVE END



SCALE - 4:1
SHAFT DETAIL AT
COUPLING END

VIEW IN DIRECTION OF 'X'



PLAN OF PUMP FEET

ALL DIMENSIONS ARE IN MM.
APPROX. NETT WEIGHT - 224kg.



CONNECTIONS		SIZE (NPT)
ITEM	DESCRIPTION	
GD	GLAND DRAIN	1/2"
CG	COMP. GAUGE FOR SUCTION	3/8"
PG	PR. GAUGE FOR DELIVERY	3/8"
AC	AIR COCK	3/8"
PM	PRIMING	1/2"
CDS	CASING DRAIN (SUCT.SIDE)	1/2"
CDD	CASING DRAIN (DELY.SIDE)	1/2"

FLANGE TABLE												
S	ANSI 125#FF	11"	9-1/2"	1"	8,	Ø7/8"	—	—	—	—	—	
D	ANSI 250#FF											
REF. NO.	TYPE OF FLANGE	O.D.	P.C.D.	THK MIN	NO. OF HOLE	SIZE OF HOLE	RF	ØRF	THK	O.D.	P.C.D.	
		SUCTION - 150(6")						DELIVERY - 100(4")				

REV	DESCRIPTION	DRN	CHKD	APPD	HS	DRG. NO.	SCALE
						PSF/4HF12/GA-01/0	1:1
							REV 0

PUMPSENSE

TITLE-

GA DRAWING FOR 4HF12



SCALE 1:1