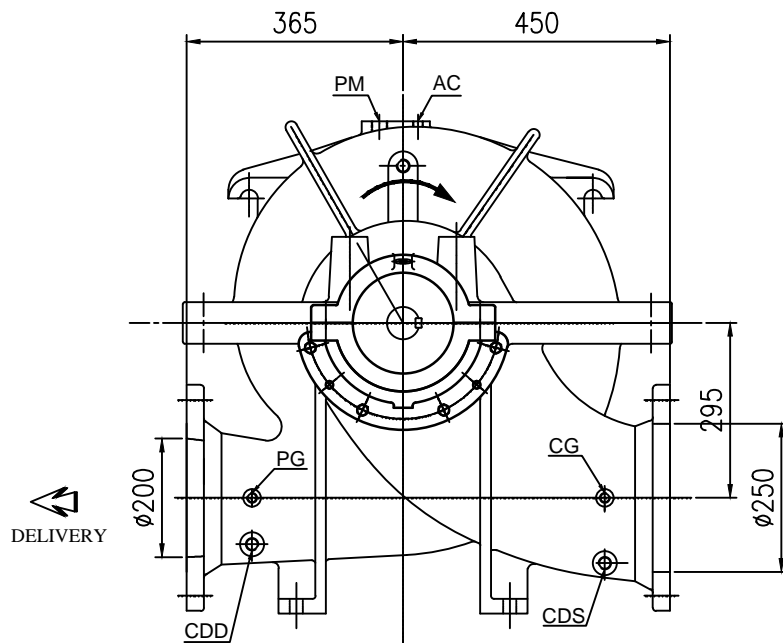
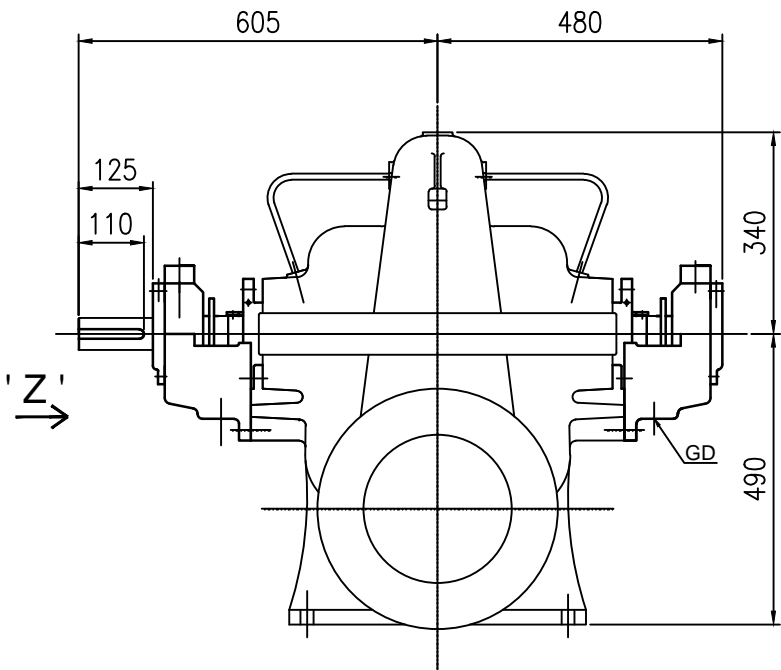
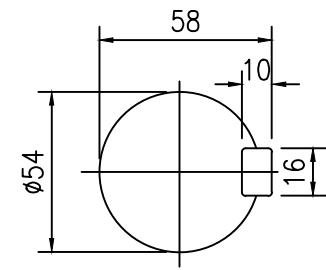


PUMP MODEL - 8HF17

GENERAL ARRANGEMENT DRAWING FOR SINGLE STAGE AXIALLY SPLIT CASE PUMP MODEL - 8HF17



CLOCK-WISE ROTATION
LOOKING FROM DRIVE END

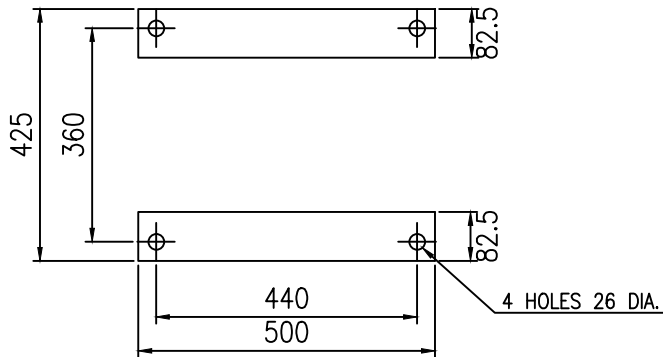


SCALE - 5:1
SHAFT DETAIL AT
COUPLING END

DELIVERY

SUCTION

VIEW IN DIRECTION OF ' Z '



PLAN OF PUMP FEET

APPROX. NET WEIGHT - 615kg.
ALL DIMENSIONS ARE IN MM.



CONNECTION		
ITEM	DESCRIPTION	SIZE(NPT)
GD	GLAND DRAIN	3/4"
CG	COMPOUND GAUGE FOR SUCTION	3/8"
PG	PRESSURE GAUGE FOR DELIVERY	3/8"
AC	AIR COCK	1/2"
PM	PRIMING	1"
CDS	CASING DRAIN(SUCTION SIDE)	3/4"
CDD	CASING DRAIN(DELIVERY SIDE)	3/4"

** GAUGE CONNECTIONS DRILLED AND TAPPED ONLY
WHEN SPECIFICALLY REQUESTED BY THE CUSTOMER.

S	PN 16	405	355	26	12, ϕ 26										
D	PN 16							340	295	24	12, ϕ 22				
	TYPE OF FLANGE	O.D.	P.C.D.	THK MIN	NO. SIZE OF HOLE	RF ϕ RF.FLANGE	RF THK	O.D.	P.C.D.	THK MIN	NO. SIZE OF HOLE	RF ϕ RF.FLANGE	RF THK		
		SUCTION - ϕ 250				DELIVERY - ϕ 200								REV	

REV	DESCRIPTION	TOLLERANCE	DRN	CHKD

TITLE-		PUMPSENSE			SCALE 1:1
GA DRG. FOR 8HF17		<small>FACTORY ADDRESS: M/s. Sanku, G.I.P. Colony, Madrassa Road, Near Sanku High School, Madrassa- 711112</small>			
DRG. NO.	8142640	DRN	AD	04.04.16	REV 0
PSF/8HF17/GA-01		CHKD	SP	04.04.16	
		APPD	HS	04.04.16	