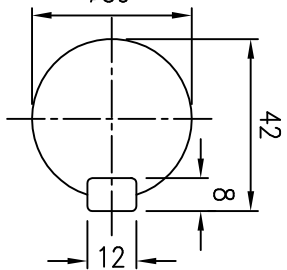
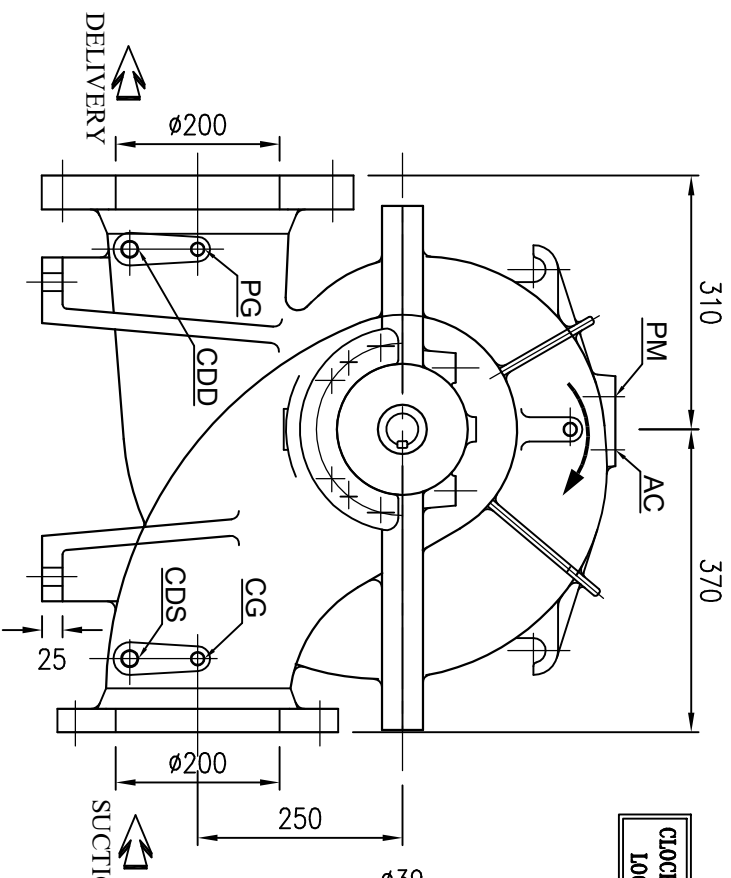
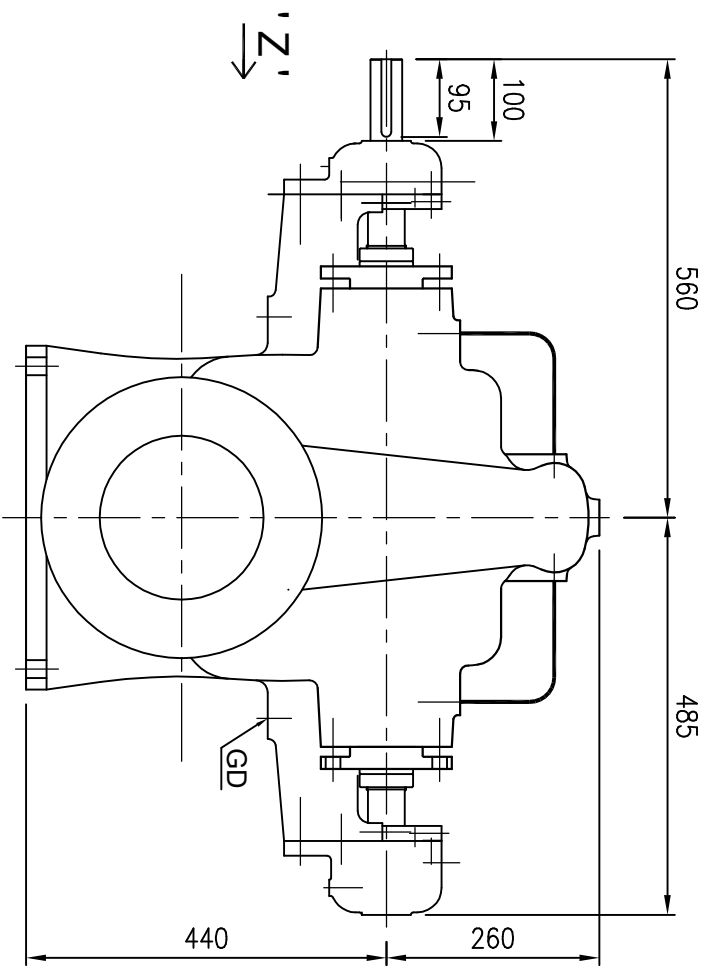


PUMP MODEL- 8HF12H

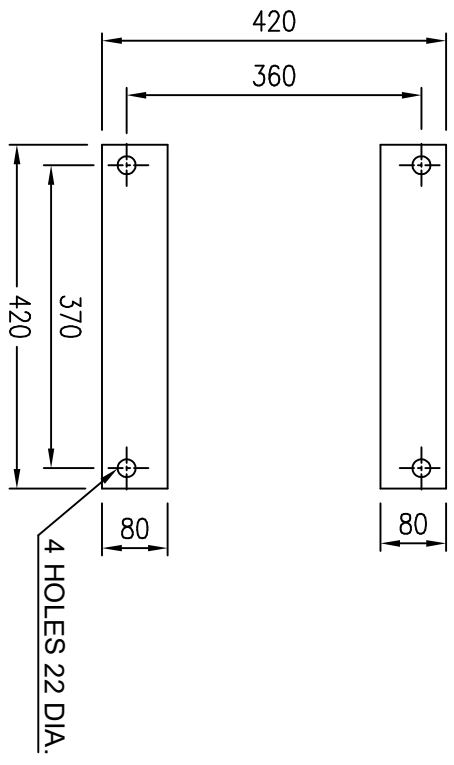
GENERAL ARRANGEMENT DRAWING FOR SINGLE STAGE AXIALLY SPLIT CASE PUMP MODEL - 8HF12H



**SCALE - 5:1
SHAFT DETAIL AT
COUPLING END**

**CLOCK-WISE ROTATION
LOOKING FROM DRIVE END**

VIEW IN DIRECTION OF 'Z'



**APPROX. NET WEIGHT - 650kg.
ALL DIMENSIONS ARE IN MM.**

CONNECTIONS		ITEM	DESCRIPTION	SIZE(NPT)
		GD	GLAND DRAIN	3/4"
		CG	COMPOUND GAUGE FOR SUCTION	3/8"
		PG	PRESSURE GAUGE FOR DELIVERY	3/8"
		AC	AIR COCK	3/8"
		PM	PRIMING	3/4"
		CDS	CASING DRAIN(SUCTION SIDE)	1/2"
		CDD	CASING DRAIN(DELIVERY SIDE)	1/2"

S	ANSI 125# RF		13-1/2"	11-3/4"	1-1/8"	8, $\phi 7/8$"	--	--										
	D	ANSI 250# RF																
REF. NO.	TYPE OF FLANGE.	O.D. P.C.D.	THK MIN OF HOLE	NO. OF R.F.	SIZE R.F. FLANGE	RF THK	RF THK		O.D. P.C.D.	THK MIN OF HOLE	NO. OF R.F.	SIZE R.F. FLANGE	RF THK	RF THK				
		SUCTION ~ 2000 (8")						DELIVERY ~ 2000 (8")										

REV		DESCRIPTION		DRN	CHKD	DATE	TITLE - PUMPSENSE		SCALE 1:1	
							GA DRAWING FOR 8HF12H		REV	
DRN	APPD	SR	HS	03.07.14	03.07.14	03.07.14	DRG. NO.	PSF/8HF12H/GA-01	PART NO.	8122840-1