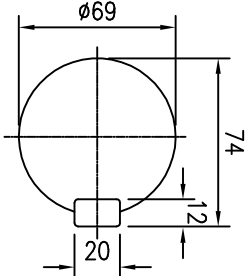
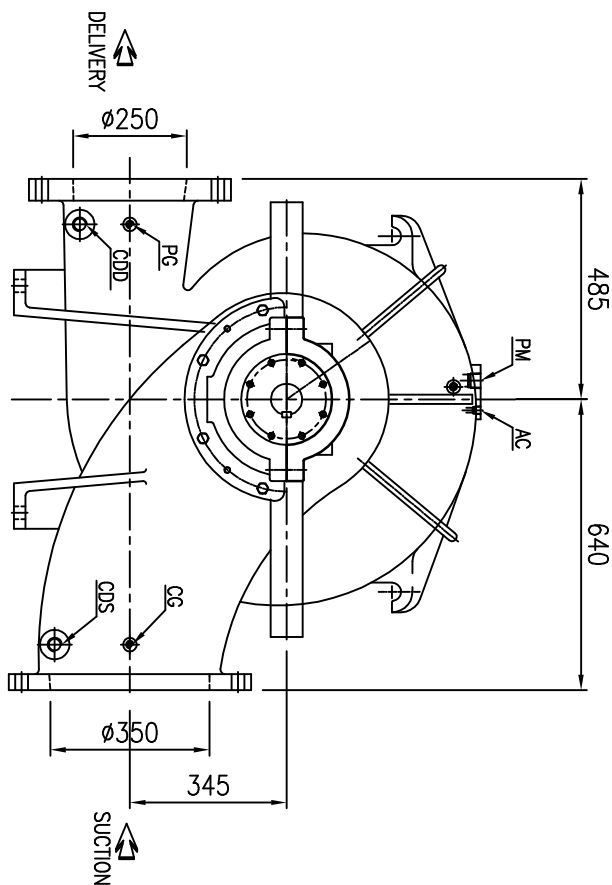
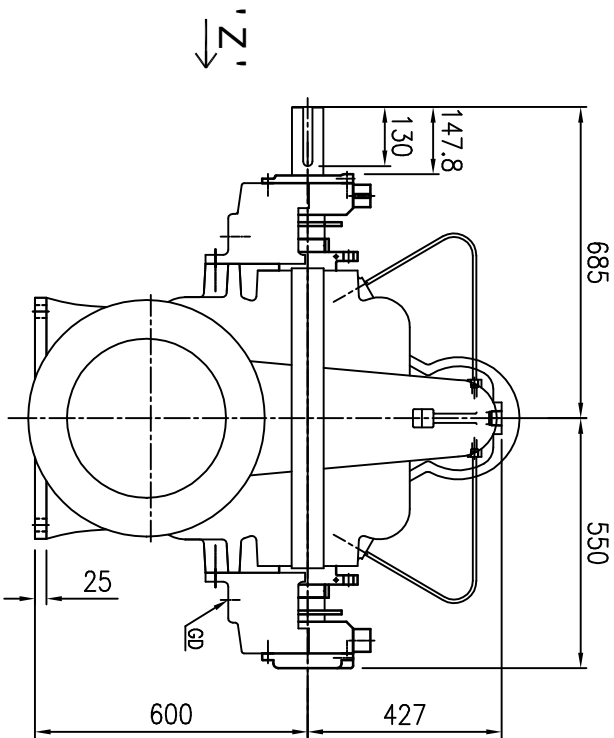


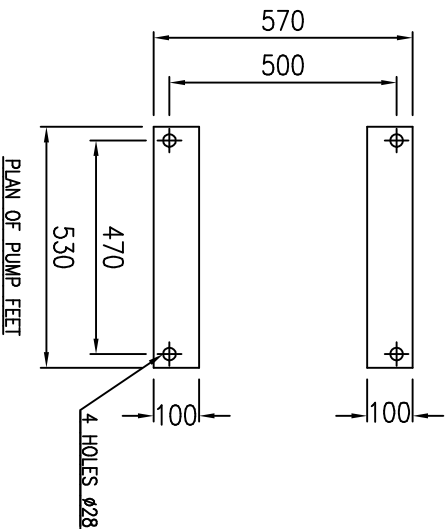
PUMP MODEL - 10HF20

GENERAL ARRANGEMENT DRAWING FOR SINGLE STAGE AXIALLY SPLIT CASE PUMP MODEL - 10HF20



SCALE - 5:1
SHAFT DETAIL AT
COUPLING END

CLOCK-WISE ROTATION
LOOKING FROM DRIVE END



VIEW IN DIRECTION OF 'Z'

ALL DIMENSIONS ARE IN MM.

ITEM	DESCRIPTION	SIZE(M/P)
GD	GLAND DRAIN	1"
CG	COMPOUND GAUGE FOR SUCTION	3/8"
PG	PRESSURE GAUGE FOR DELIVERY	3/8"
AC	AIR COCK	3/8"
PM	PRIMING	1-1/2"
CDS	CASING DRAIN(SUCTION SIDE)	1"
CDD	CASING DRAIN(DELIVERY SIDE)	1"

* GAUGE CONNECTIONS NUMBER AND SIZE ARE ONLY
BEING SPECIFICALLY INDICATED BY THE CUSTOMER.

S	ANSI#250	23"	20-1/4"	2-1/8"	20, 41-1/4"	---	---	---	---	17-1/2"	15-1/4"	1-7/8"	16, 41-1/8"	---	---	
																D
REF. NO.	TYPE OF FLANGE.	O.D.	P.C.D.	THK MIN	NO SIZE OF HOLE OFF C/L	RF THK	RF THK	O.D.	P.C.D.	THK MIN	NO SIZE OF HOLE OFF C/L	RF THK	RF THK	SUCTION - 4350		
														DELIVERY - 4250		

REV	DESCRIPTION	DRN	CHKD	DATE

PROJECT NAME - PUMPSENSE JOB NO. -

TITLE - GA DRG. FOR 10HF20

SCALE 1:1

DRN 180014 DRG. NO. 8270A10V

CHKD 180014 APPD 180014

REV 0