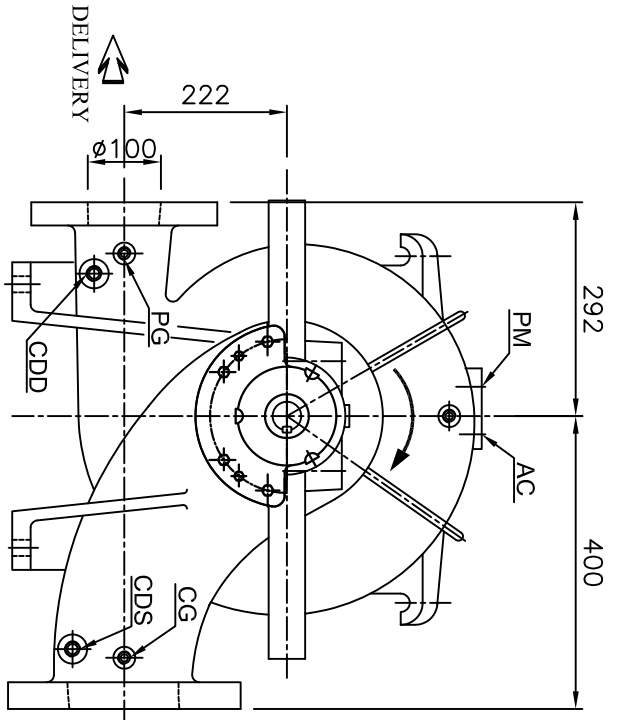
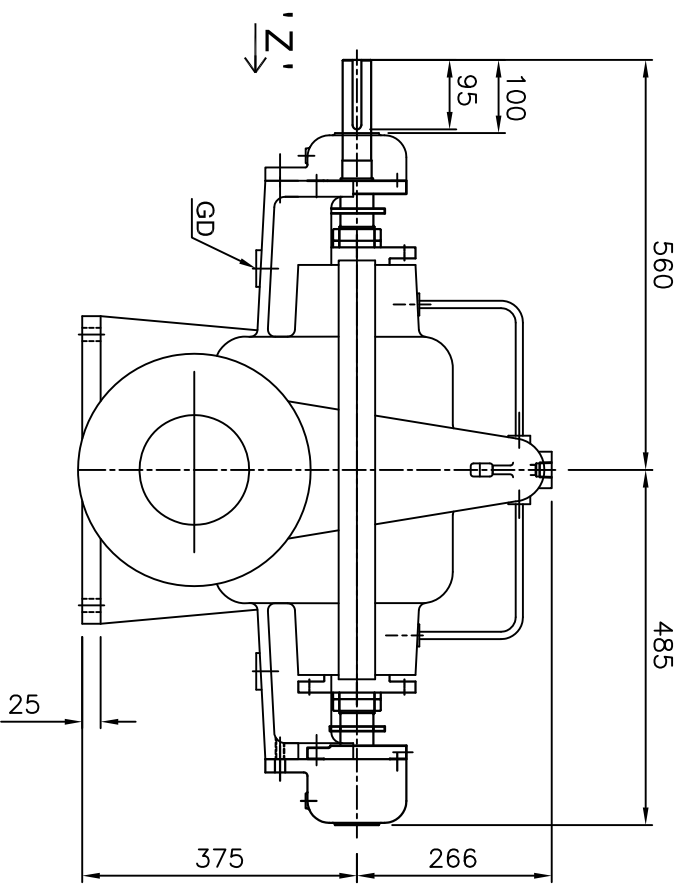


PUMP MODEL - 4HF13

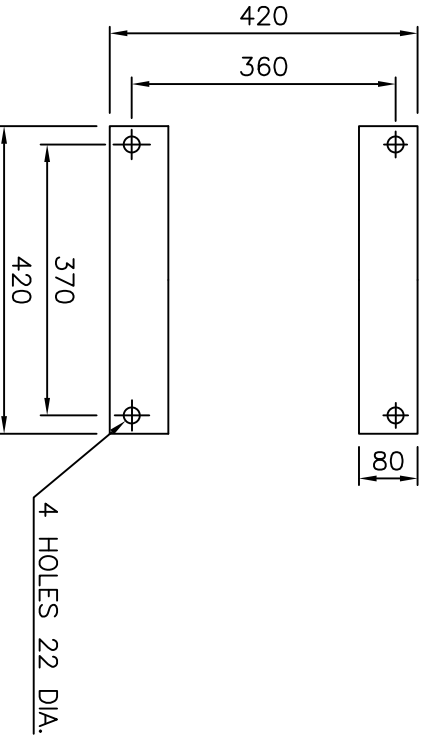
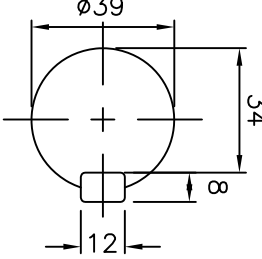
GENERAL ARRANGEMENT DRAWING FOR SINGLE STAGE AXIALLY SPLIT CASE PUMP MODEL - 4HF13



VIEW IN DIRECTION OF 'Z'

CLOCK-WISE ROTATION  
LOOKING FROM DRIVE END

SCALE - 5:1  
SHAFT DETAIL AT  
COUPLING END



PLAN OF PUMP FEET

APPROX. NET WEIGHT - 365 Kg.

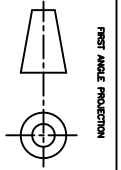
ALL DIMENSIONS ARE IN MM.



ITEM	DESCRIPTION	SIZE(NPT)
GD	GLAND DRAIN	3/4"
CG	COMPOUND GAUGE FOR SUCTION	3/8"
PG	PRESSURE GAUGE FOR DELIVERY	3/8"
AC	AIR COCK	3/8"
PM	PRIMING	3/4"
CDS	CASING DRAIN(SUCTION SIDE)	3/4"
CDD	CASING DRAIN(DELIVERY SIDE)	3/4"

\*\* GAUGE CONNECTIONS DRILLED AND TAPPED ONLY  
WHEN SPECIFICALLY REQUESTED BY THE CUSTOMER.

S	ANSI 125# FF	11"	9-1/2"	1"	8, 7/8"	--	--	10"	7-7/8"	1-1/4"	8, 7/8"	--	--
D	ANSI 250# FF												
REF. NO.	TYPE OF FLANGE.	O.D.	P.C.D.	THK MIN	NO OF HOLES	RF THK	RF FLANGE	O.D.	P.C.D.	THK MIN	NO OF HOLES	RF THK	RF FLANGE



REV	NO	DESCRIPTION	DATE	BY	CHKD	APP'D

PUMPSENSE

GA DRAWING FOR 4HF13